

CW 50

CW 50



REYNAERS
aluminium

CW 50



CW 50

- 1 Structure interne
- 2 Esthétique extérieure
- 3 Eléments fixes
- 4 Eléments ouvrants
- 5 Raccordements

CW 50-1.0

CW 50 High Insulation (CW 50-HI)

CW 50 Horizontal Lining (CW 50-HL)

CW 50 Roof Application (CW 50-RA)

CW 50 Structural Clamped (CW 50-SC)

CW 50 Structural Glazing (CW 50-SG)

CW 50 Fire Proof (CW 50-FP)

CW 50 Slim Line (CW 50-SL)

CW 50 Alu on Steel

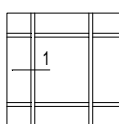
CW 50 Swiss Solution

CW 50

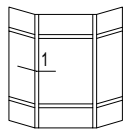


1 Structure interne

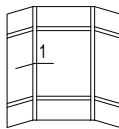
Structure interne verticale



CW 50 - 002

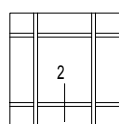


CW 50 - 002

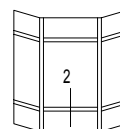


CW 50 - 002

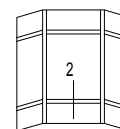
Structure interne horizontale



CW 50 - 010



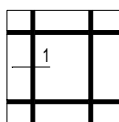
CW 50 - 010



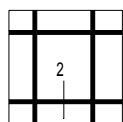
CW 50 - 010

2 Esthétique extérieure

Serreur et capot - extérieur



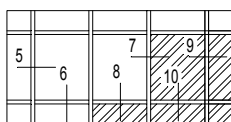
CW 50 - 020



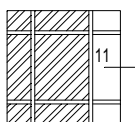
CW 50 - 025

3 Eléments fixes

Panneaux fixes



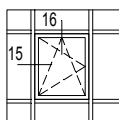
CW 50 - 034



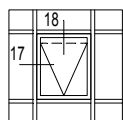
CW 50 - 037

4 Eléments ouvrants

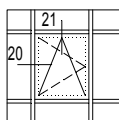
Fenêtres



CW 50 - 045



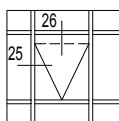
CW 50 - 046



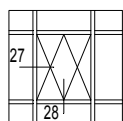
CW 50 - 051

Fenêtres avec ouvrant caché

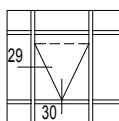
Fenêtres avec ouvrants VEC



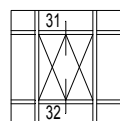
CW 50 - 060



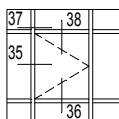
CW 50 - 062



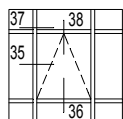
CW 50 - 064



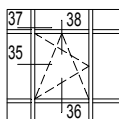
CW 50 - 065



CW 50 - 070



CW 50 - 070

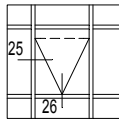


CW 50 - 070

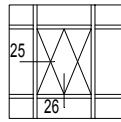
CW 50



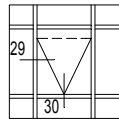
Fenêtres avec ouvrants VEP



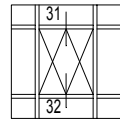
CW 50 - 066



CW 50 - 066

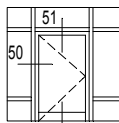


CW 50 - 068



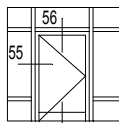
CW 50 - 069

Portes ouvrant vers l'intérieur



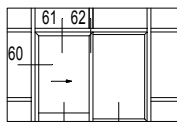
CW 50 - 072

Portes ouvrant vers l'extérieur



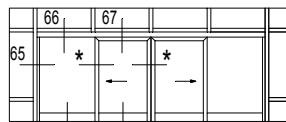
CW 50 - 073

Portes coulissantes



CW 50 - 080

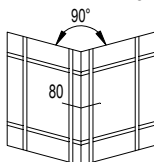
Portes automatiques



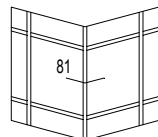
CW 50 - 084

5 Raccordements

Solutions d'angle

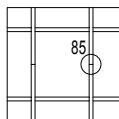


CW 50 - 090

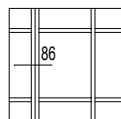


CW 50 - 094

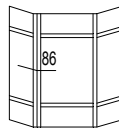
Dilatation



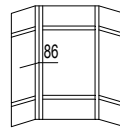
CW 50 - 098



CW 50 - 100

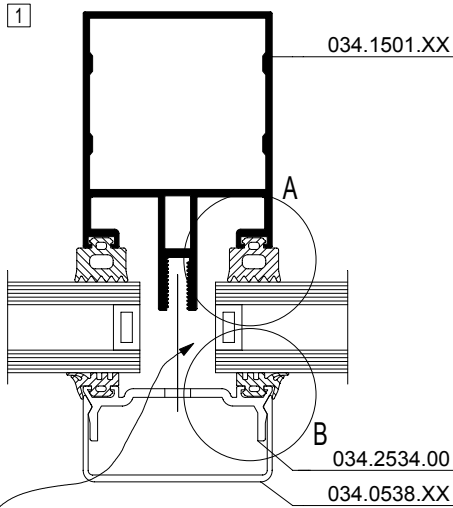
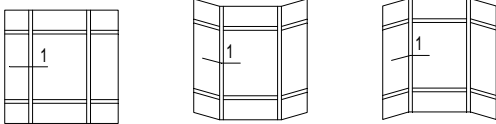


CW 50 - 100



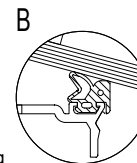
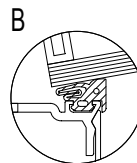
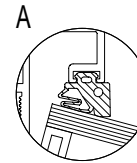
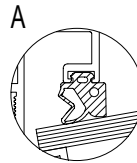
CW 50 - 100

* Autres sections : voir système correspondant où d'autres sections des parties ouvrantes sont montrées



MIN. 160°

MAX. 210°



CW50-001015.dxf
CW50-001015.dwg

CW50-001016.dxf
CW50-001016.dwg

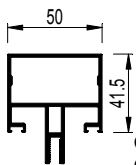
Variant
 Verticale compartimentering is optioneel
 Variante
 Compartimentation verticale est optionnelle
 Variant
 Vertical compartmentalisation is optional
 Variante
 Vertikale Kompartimentierung ist eine Option

... .dxf
dwg



034.1500.XX

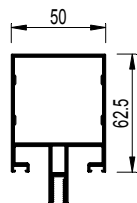
lx = 13.523 cm⁴



CW50-001001.dxf
CW50-001001.dwg

034.1501.XX

lx = 32.867 cm⁴



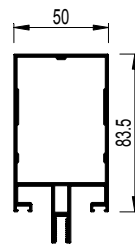
CW50-001002.dxf
CW50-001002.dwg



CW50-001014.dxf
CW50-001014.dwg

034.1502.XX

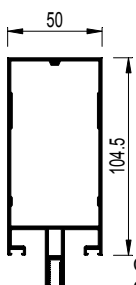
lx = 66.411 cm⁴



CW50-001003.dxf
CW50-001003.dwg

034.1503.XX

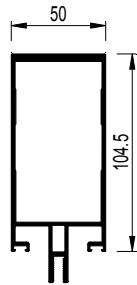
lx = 115.491 cm⁴



CW50-001004.dxf
CW50-001004.dwg

034.1504.XX

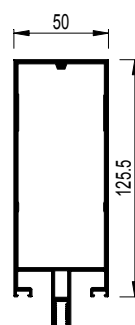
lx = 150.964 cm⁴



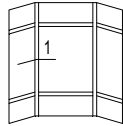
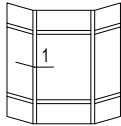
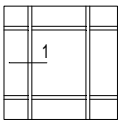
CW50-001005.dxf
CW50-001005.dwg

034.1505.XX

lx = 201.991 cm⁴

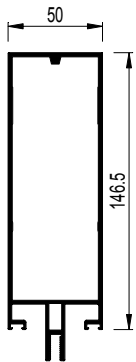


CW50-001006.dxf
CW50-001006.dwg



034.1506.XX

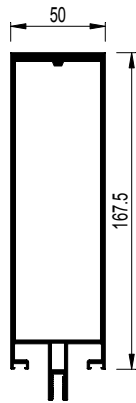
$I_x = 297.749 \text{ cm}^4$



CW50-001007.dxf
 CW50-001007.dwg

034.1507.XX

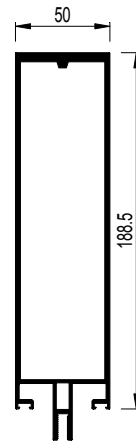
$I_x = 501.224 \text{ cm}^4$



CW50-001008.dxf
 CW50-001008.dwg

034.1508.XX

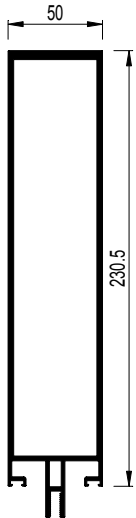
$I_x = 695.286 \text{ cm}^4$



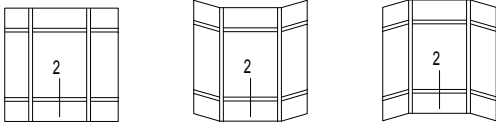
CW50-001009.dxf
 CW50-001009.dwg

034.1510.XX

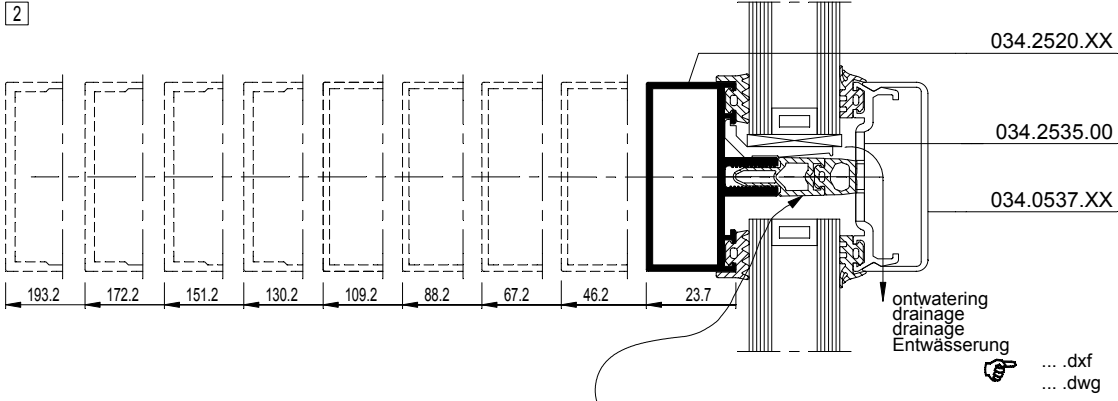
$I_x = 1199.414 \text{ cm}^4$



CW50-001010.dxf
 CW50-001010.dwg



2



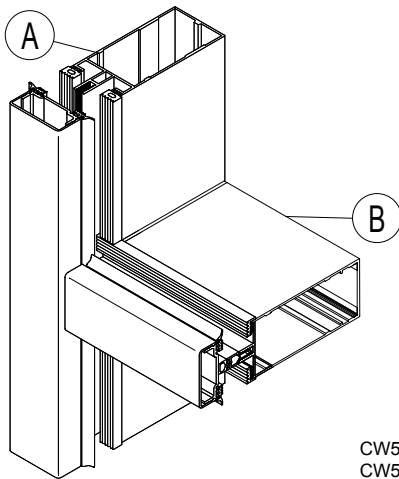
Horizontale compartimentering is verplicht
 Compartimentation horizontale est obligatoire
 Horizontal compartmentalisation is obligatory
 Horizontale Kompartimentierung ist verpflichtet

OPTIE 1 OPTION 1

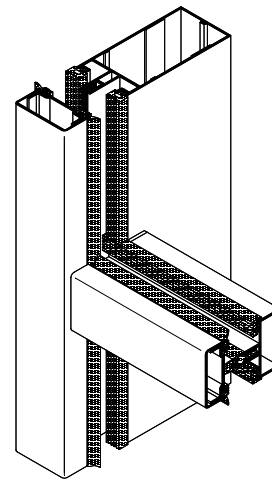
Oplossing met de dwarsprofielen op hetzelfde niveau als de draagprofielen.
 Solution avec les traverses sur le même niveau que les meneaux
 Solution with transoms on the same internal level as the rafters
 Lösung mit den Riegelprofilen auf einer verschiedene Ebene wie die Pfostenprofile

OPTIE 2 OPTION 2

Oplossing met de dwarsprofielen op een verschillend niveau als de draagprofielen.
 Solution avec les traverses sur un niveau différent que les meneaux
 Solution with transoms on a different internal level as the rafters
 Lösung mit den Riegelprofilen auf derselben Ebene wie die Pfostenprofile



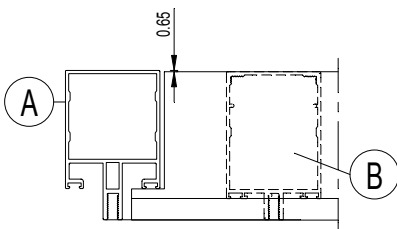
CW50-3d0002.dxf
 CW50-3d0002.dwg

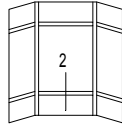
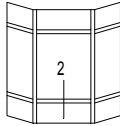
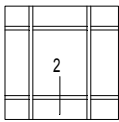


CW50-3d0003.dxf
 CW50-3d0003.dwg

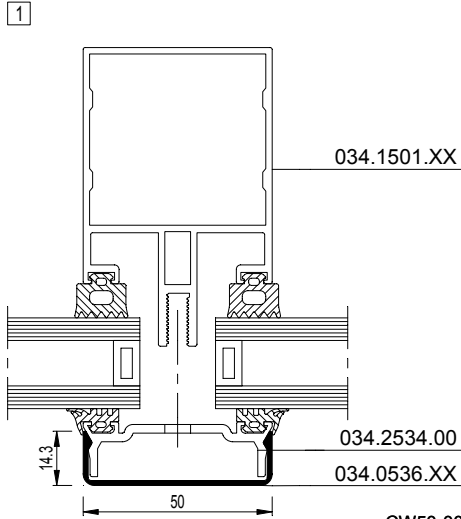
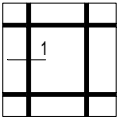
A B

Verticale Verticale Vertical Vertikale	Horizontale Horizontale Horizontal Horizontale
034.1501.XX	034.2522.XX
034.1502.XX	034.2523.XX
034.1503.XX	034.2524.XX
034.1504.XX	034.2524.XX
034.1505.XX	034.2525.XX
034.1506.XX	034.2526.XX
034.1507.XX	034.2527.XX
034.1508.XX	034.2528.XX
034.1510.XX	---

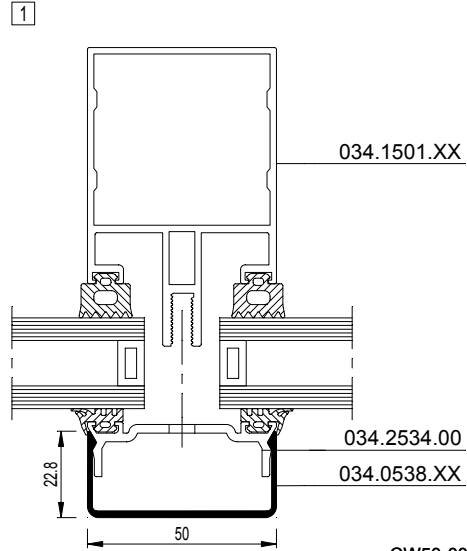




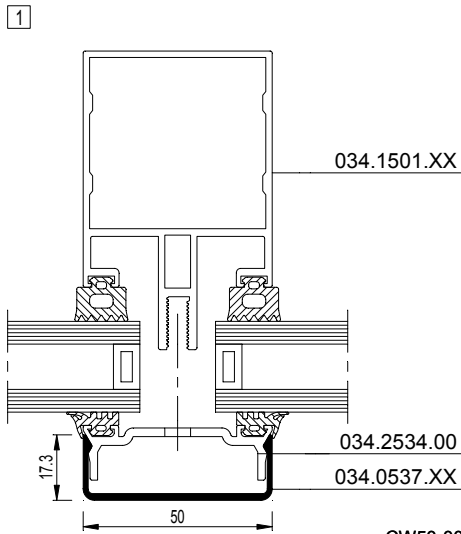
<p>034.2529.XX</p> <table border="1"> <tr><td>lx =</td><td>0.37 cm⁴</td></tr> <tr><td>ly =</td><td>2.898 cm⁴</td></tr> </table> <p>CW50-002025.dxf CW50-002025.dwg</p>	lx =	0.37 cm ⁴	ly =	2.898 cm ⁴	<p>034.2520.XX</p> <table border="1"> <tr><td>lx =</td><td>3.546 cm⁴</td></tr> <tr><td>ly =</td><td>8.071 cm⁴</td></tr> </table> <p>CW50-002001.dxf CW50-002001.dwg</p>	lx =	3.546 cm ⁴	ly =	8.071 cm ⁴	<p>034.2521.XX</p> <table border="1"> <tr><td>lx =</td><td>14.647 cm⁴</td></tr> <tr><td>ly =</td><td>12.534 cm⁴</td></tr> </table> <p>CW50-002002.dxf CW50-002002.dwg</p>	lx =	14.647 cm ⁴	ly =	12.534 cm ⁴	<p>034.2522.XX</p> <table border="1"> <tr><td>lx =</td><td>36.891 cm⁴</td></tr> <tr><td>ly =</td><td>18.340 cm⁴</td></tr> </table> <p>CW50-002003.dxf CW50-002003.dwg</p>	lx =	36.891 cm ⁴	ly =	18.340 cm ⁴
lx =	0.37 cm ⁴																		
ly =	2.898 cm ⁴																		
lx =	3.546 cm ⁴																		
ly =	8.071 cm ⁴																		
lx =	14.647 cm ⁴																		
ly =	12.534 cm ⁴																		
lx =	36.891 cm ⁴																		
ly =	18.340 cm ⁴																		
<p>034.2523.XX</p> <table border="1"> <tr><td>lx =</td><td>69.454 cm⁴</td></tr> <tr><td>ly =</td><td>22.922 cm⁴</td></tr> </table> <p>CW50-002004.dxf CW50-002004.dwg</p>	lx =	69.454 cm ⁴	ly =	22.922 cm ⁴	<p>034.2524.XX</p> <table border="1"> <tr><td>lx =</td><td>114.919 cm⁴</td></tr> <tr><td>ly =</td><td>27.092 cm⁴</td></tr> </table> <p>CW50-002005.dxf CW50-002005.dwg</p>	lx =	114.919 cm ⁴	ly =	27.092 cm ⁴										
lx =	69.454 cm ⁴																		
ly =	22.922 cm ⁴																		
lx =	114.919 cm ⁴																		
ly =	27.092 cm ⁴																		
<p>034.2525.XX</p> <table border="1"> <tr><td>lx =</td><td>200.281 cm⁴</td></tr> <tr><td>ly =</td><td>39.375 cm⁴</td></tr> </table> <p>CW50-002006.dxf CW50-002006.dwg</p>	lx =	200.281 cm ⁴	ly =	39.375 cm ⁴	<p>034.2526.XX</p> <table border="1"> <tr><td>lx =</td><td>290.170 cm⁴</td></tr> <tr><td>ly =</td><td>45.164 cm⁴</td></tr> </table> <p>CW50-002007.dxf CW50-002007.dwg</p>	lx =	290.170 cm ⁴	ly =	45.164 cm ⁴										
lx =	200.281 cm ⁴																		
ly =	39.375 cm ⁴																		
lx =	290.170 cm ⁴																		
ly =	45.164 cm ⁴																		
<p>034.2527.XX</p> <table border="1"> <tr><td>lx =</td><td>402.406 cm⁴</td></tr> <tr><td>ly =</td><td>51.231 cm⁴</td></tr> </table> <p>CW50-002008.dxf CW50-002008.dwg</p>	lx =	402.406 cm ⁴	ly =	51.231 cm ⁴	<p>034.2528.XX</p> <table border="1"> <tr><td>lx =</td><td>539.283 cm⁴</td></tr> <tr><td>ly =</td><td>57.159 cm⁴</td></tr> </table> <p>CW50-002009.dxf CW50-002009.dwg</p>	lx =	539.283 cm ⁴	ly =	57.159 cm ⁴										
lx =	402.406 cm ⁴																		
ly =	51.231 cm ⁴																		
lx =	539.283 cm ⁴																		
ly =	57.159 cm ⁴																		



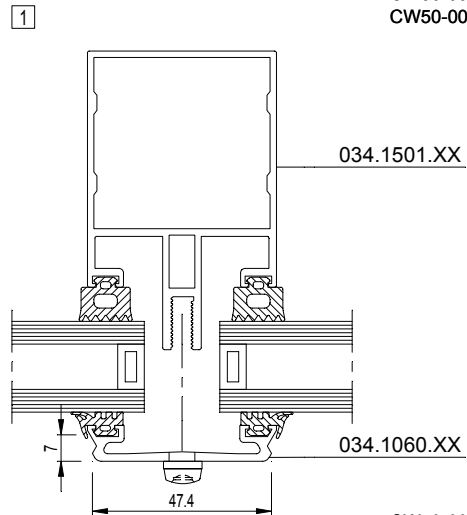
CW50-001017.dxf
 CW50-001017.dwg



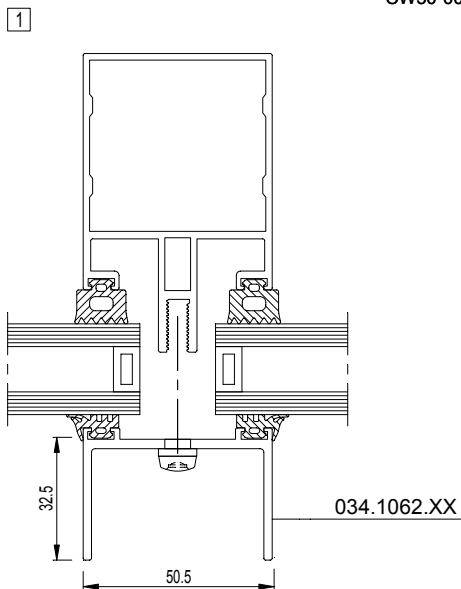
CW50-001020.dxf
 CW50-001020.dwg



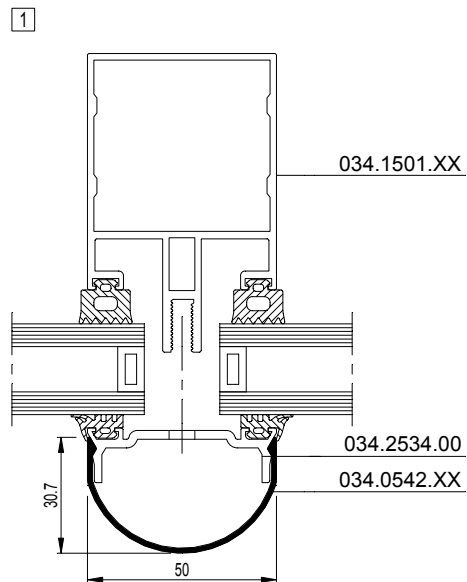
CW50-001018.dxf
 CW50-001018.dwg



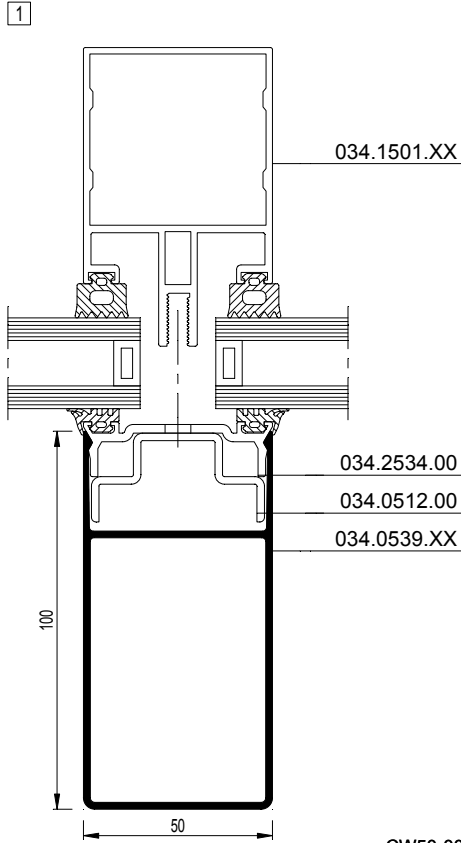
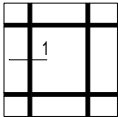
CW50-001021.dxf
 CW50-001021.dwg



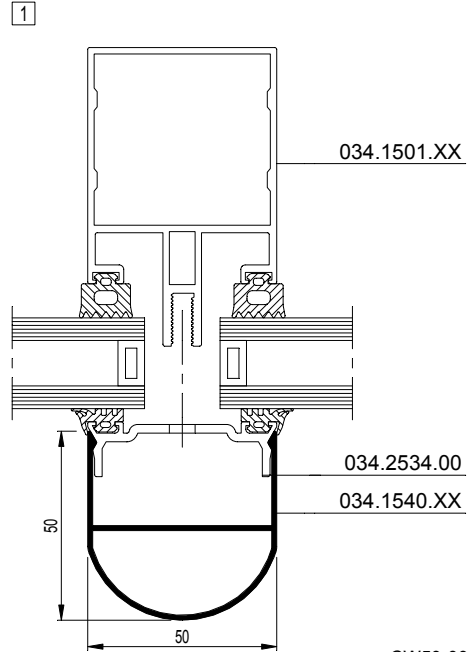
CW50-001019.dxf
 CW50-001019.dwg



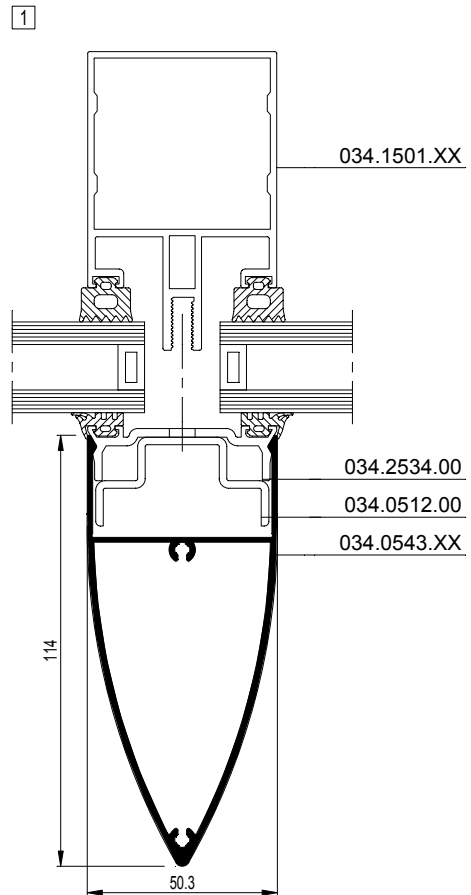
CW50-001022.dxf
 CW50-001022.dwg



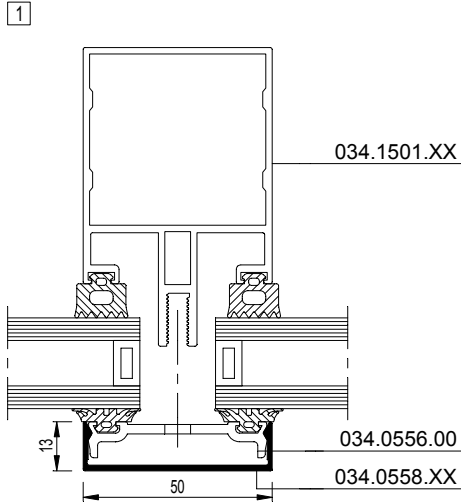
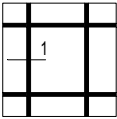
CW50-001023.dxf
 CW50-001023.dwg



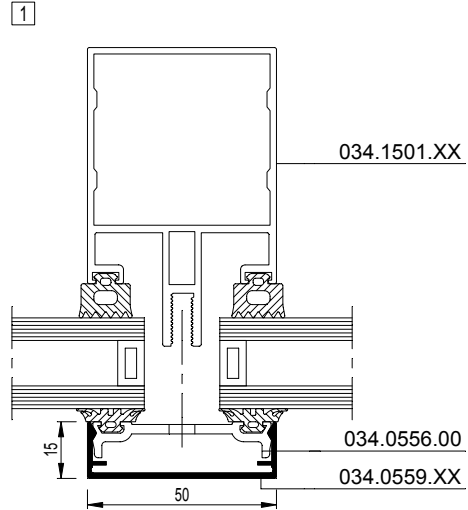
CW50-001024.dxf
 CW50-001024.dwg



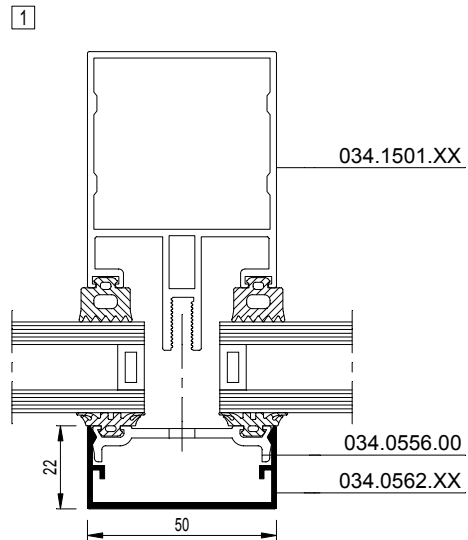
CW50-001025.dxf
 CW50-001025.dwg



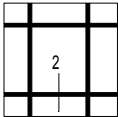
CW50-001026.dxf
 CW50-001026.dwg



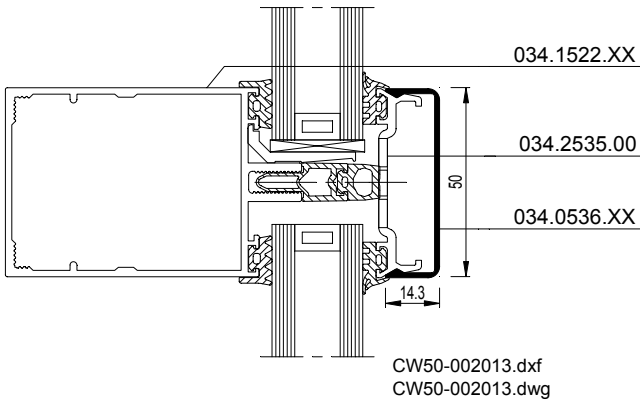
CW50-001027.dxf
 CW50-001027.dwg



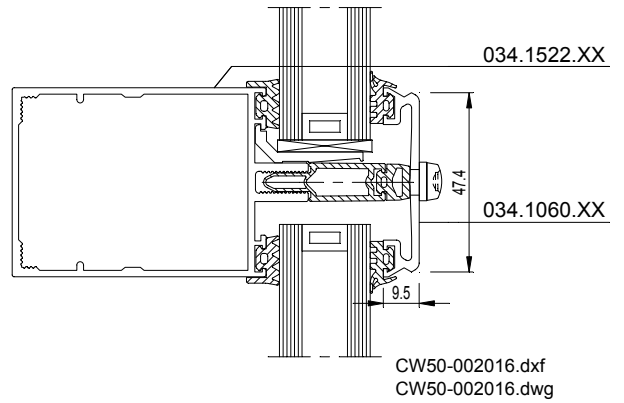
CW50-001028.dxf
 CW50-001028.dwg



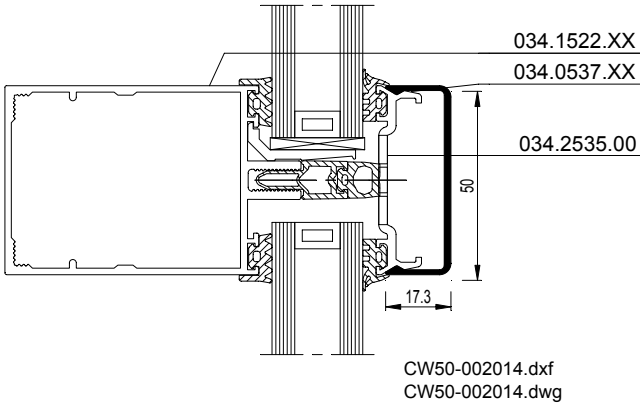
2



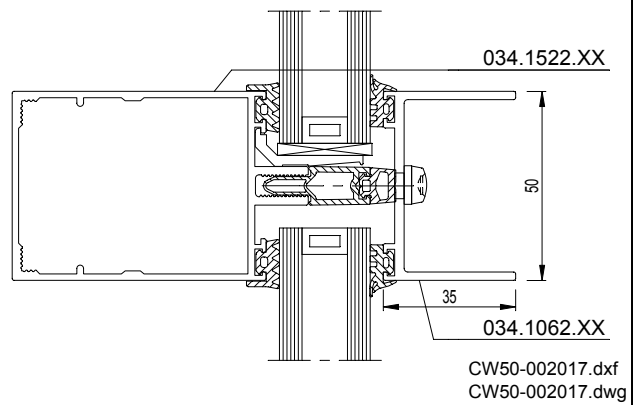
2



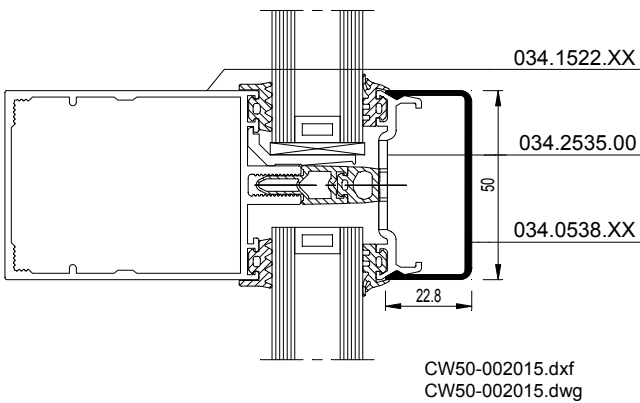
2



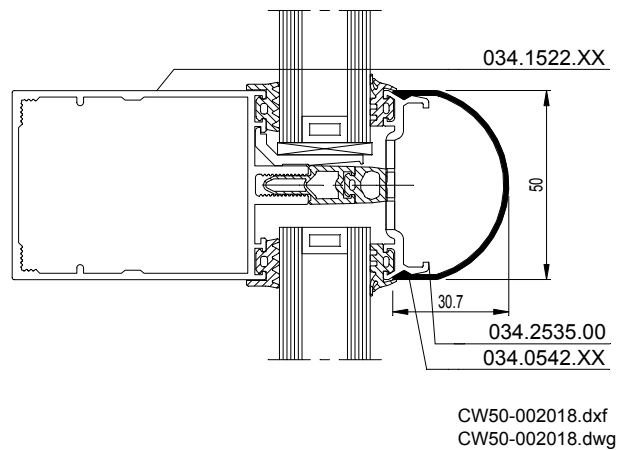
2

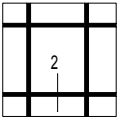


2

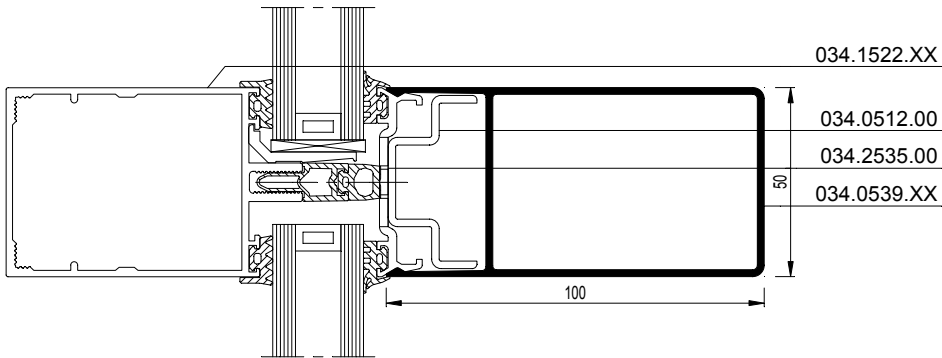


2



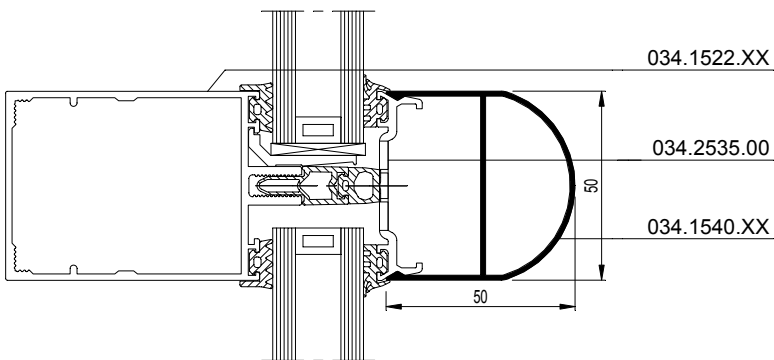


2



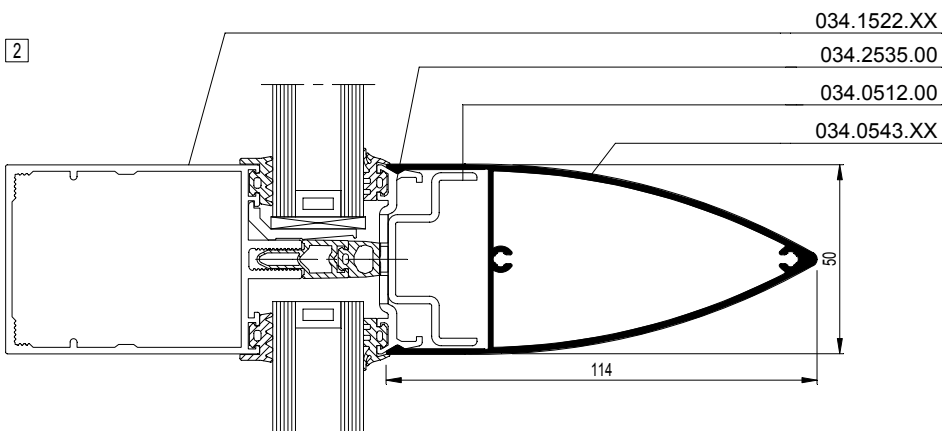
CW50-002019.dxf
 CW50-002019.dwg

2

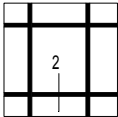


CW50-002020.dxf
 CW50-002020.dwg

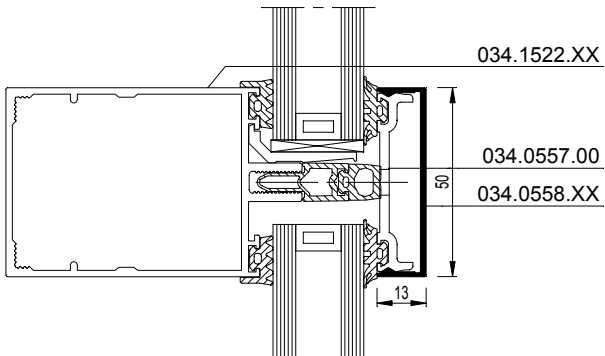
2



CW50-002021.dxf
 CW50-002021.dwg

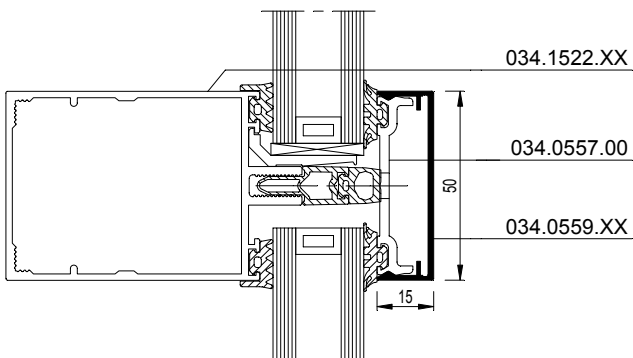


2



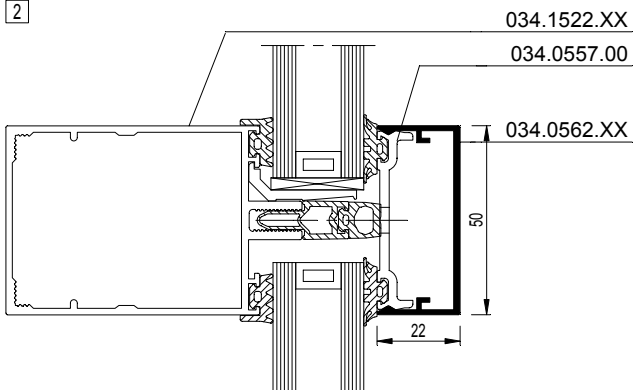
CW50-002022.dxf
CW50-002022.dwg

2



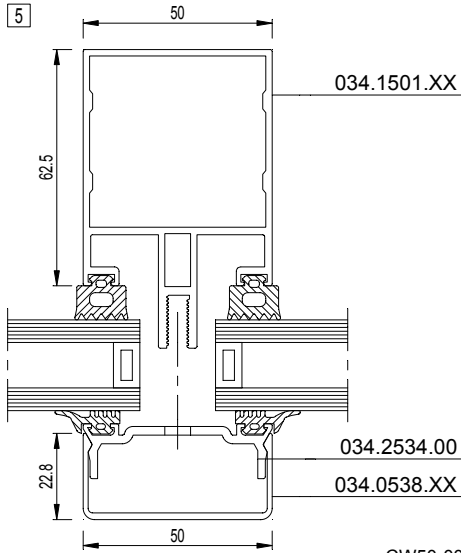
CW50-002023.dxf
CW50-002023.dwg

2

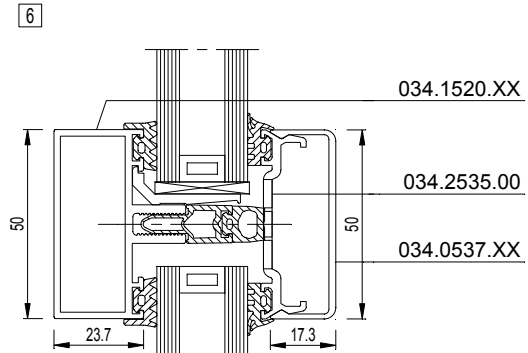


CW50-002024.dxf
CW50-002024.dwg

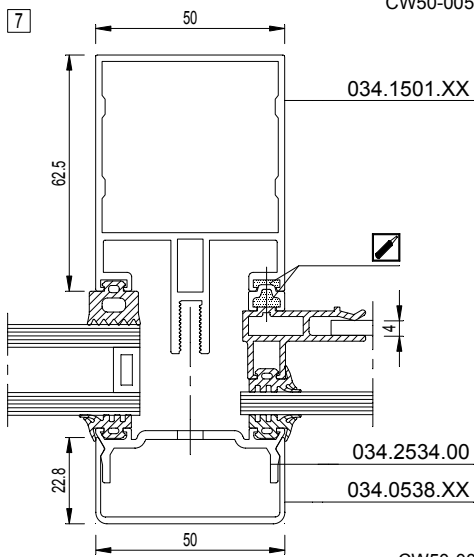
5	6	7	8	9



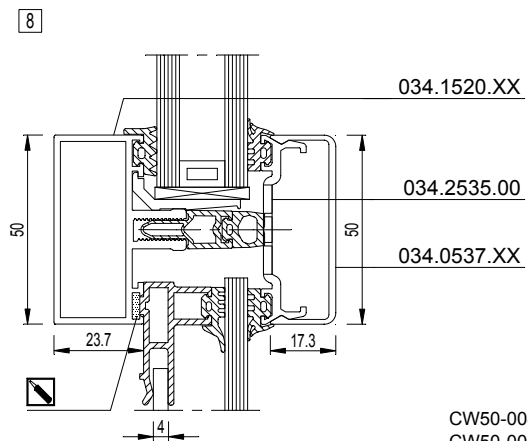
CW50-005001.dxf
 CW50-005001.dwg



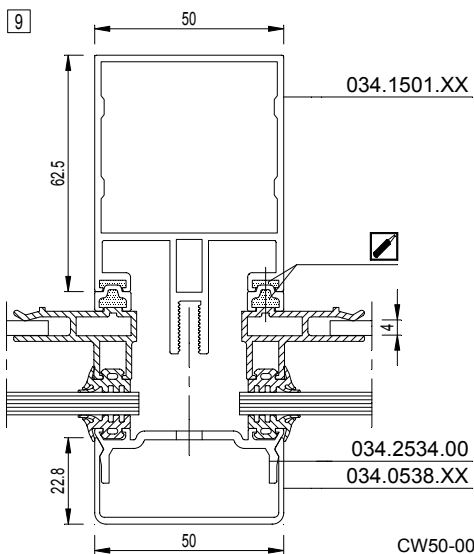
CW50-006001.dxf
 CW50-006001.dwg



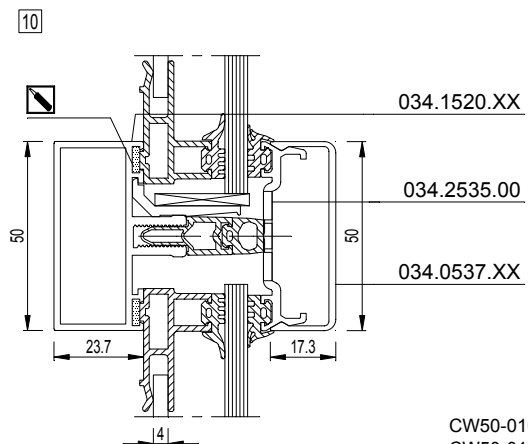
CW50-007001.dxf
 CW50-007001.dwg



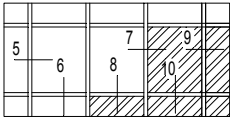
CW50-008001.dxf
 CW50-008001.dwg



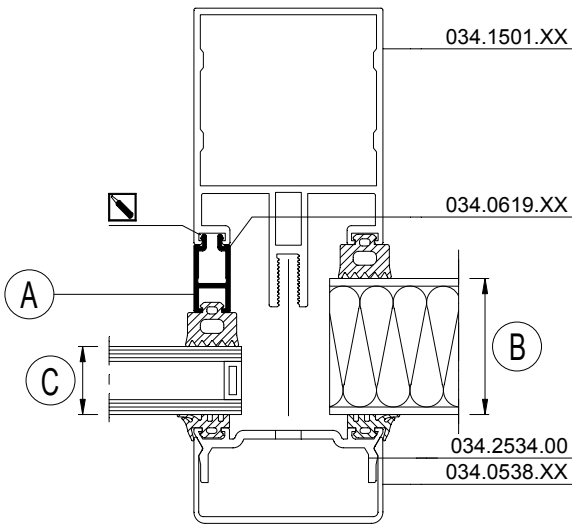
CW50-009001.dxf
 CW50-009001.dwg



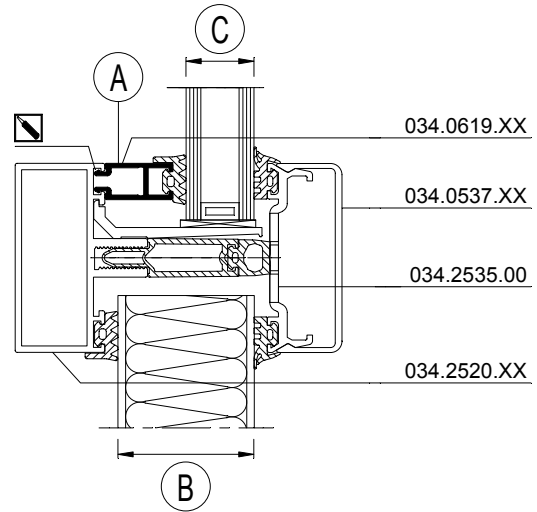
CW50-010001.dxf
 CW50-010001.dwg



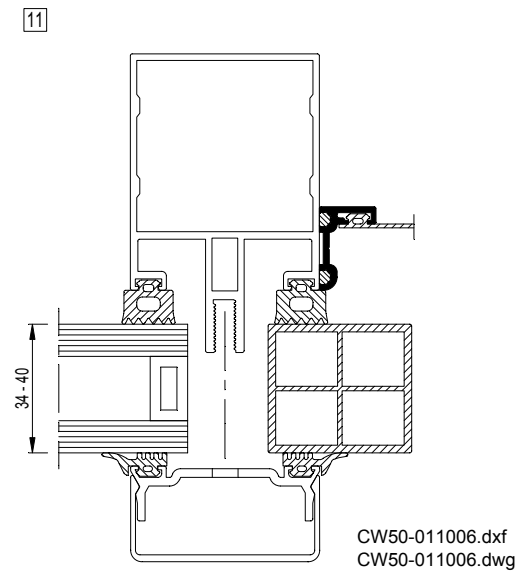
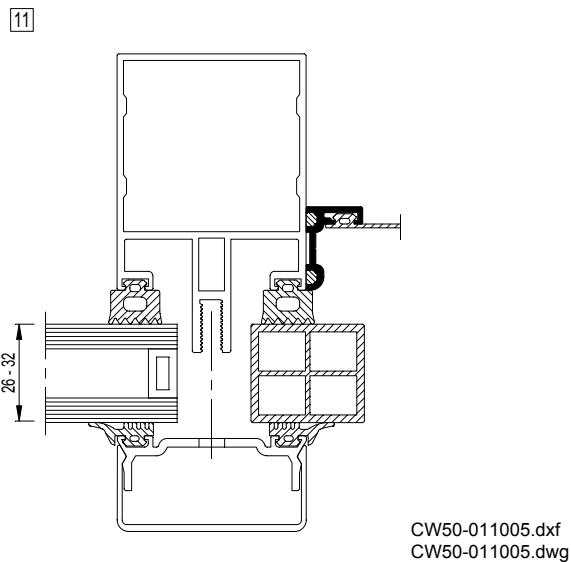
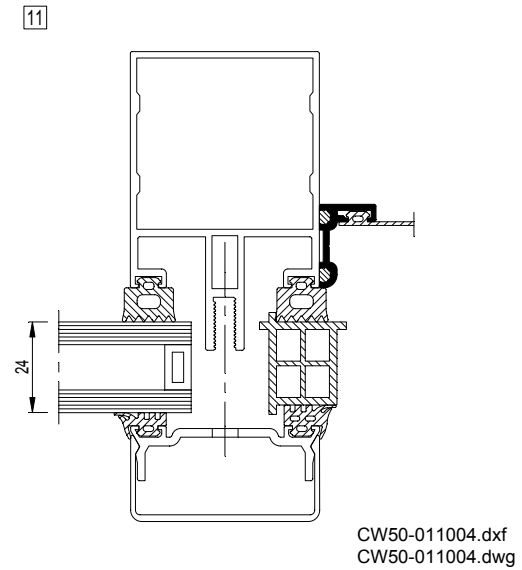
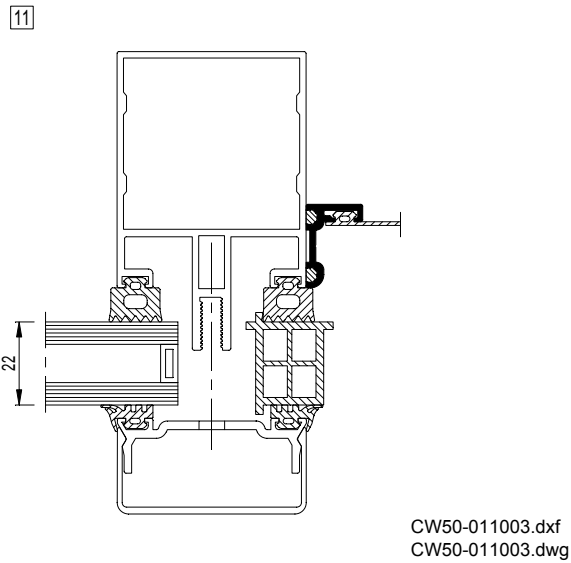
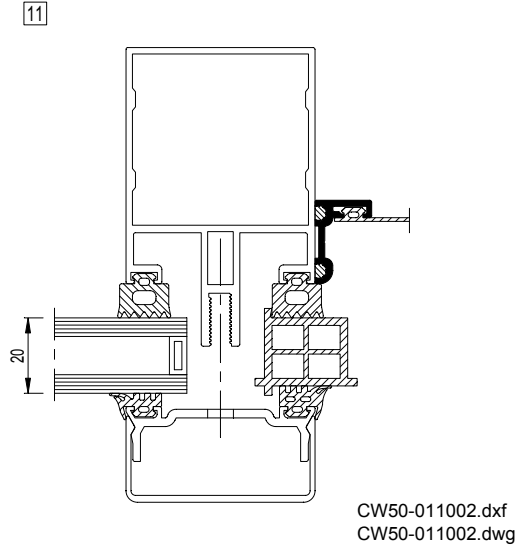
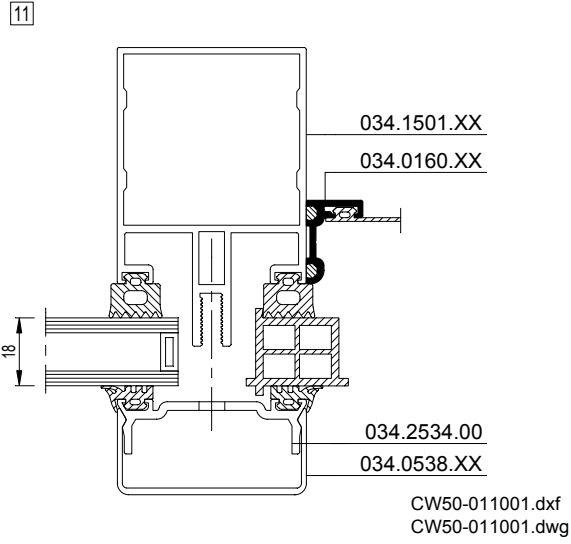
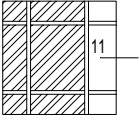
7

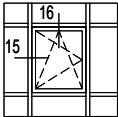


8



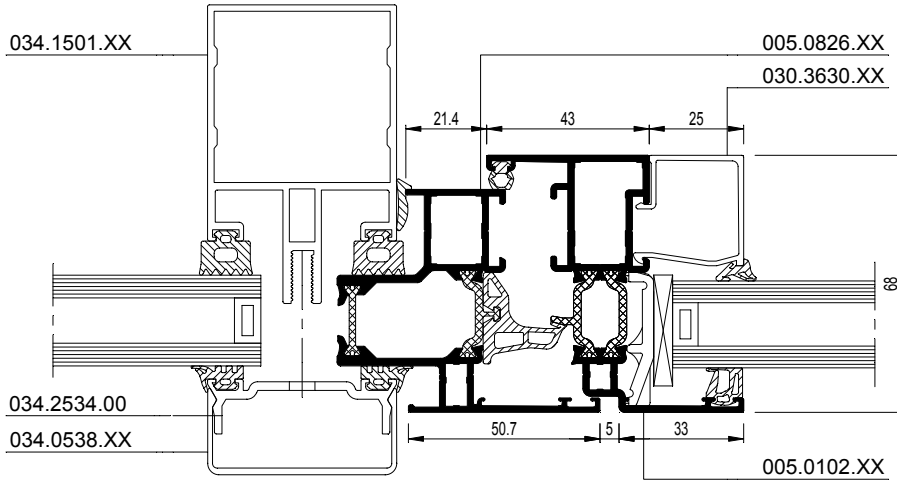
(A)	(B) - (C)	7	8
034.0517.XX	5.2	CW50-007002.dxf CW50-007002.dwg	CW50-008002.dxf CW50-008002.dwg
034.0617.XX	6	CW50-007009.dxf CW50-007009.dwg	CW50-008009.dxf CW50-008009.dwg
034.0514.XX	8	CW50-007003.dxf CW50-007003.dwg	CW50-008003.dxf CW50-008003.dwg
034.0618.XX	10	CW50-007004.dxf CW50-007004.dwg	CW50-008004.dxf CW50-008004.dwg
034.0615.XX	16	CW50-007005.dxf CW50-007005.dwg	CW50-008005.dxf CW50-008005.dwg
034.0619.XX	18	CW50-007006.dxf CW50-007006.dwg	CW50-008006.dxf CW50-008006.dwg
034.0616.XX	24	CW50-007007.dxf CW50-007007.dwg	CW50-008007.dxf CW50-008007.dwg
034.0420.XX	32	CW50-007008.dxf CW50-007008.dwg	CW50-008008.dxf CW50-008008.dwg



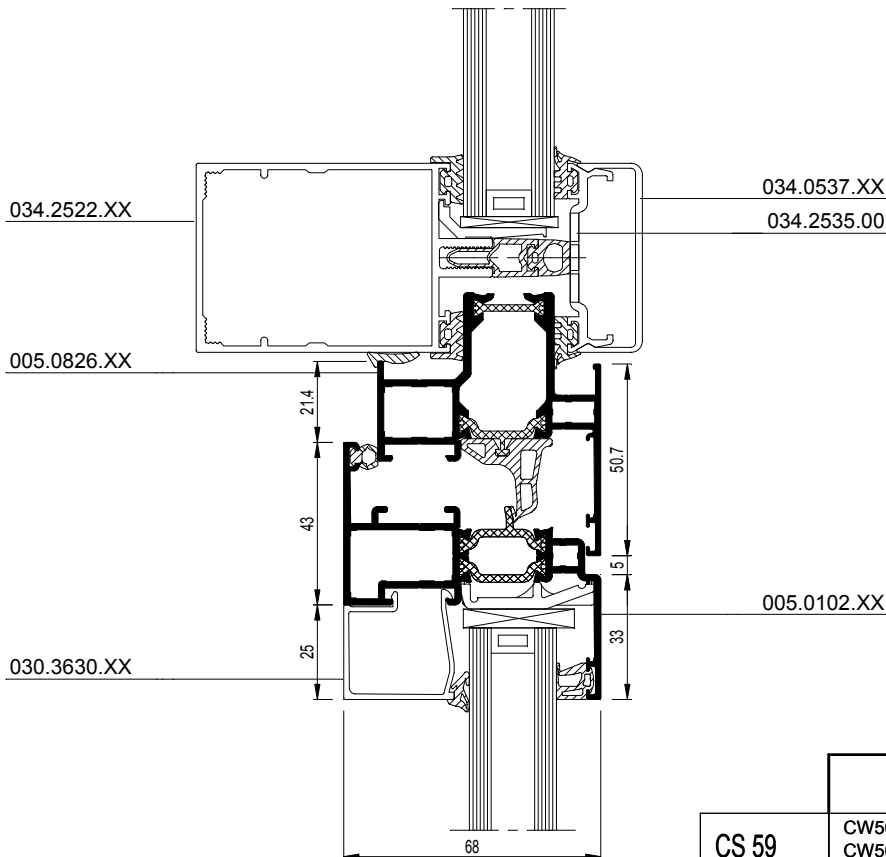


CS 68

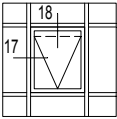
15



16

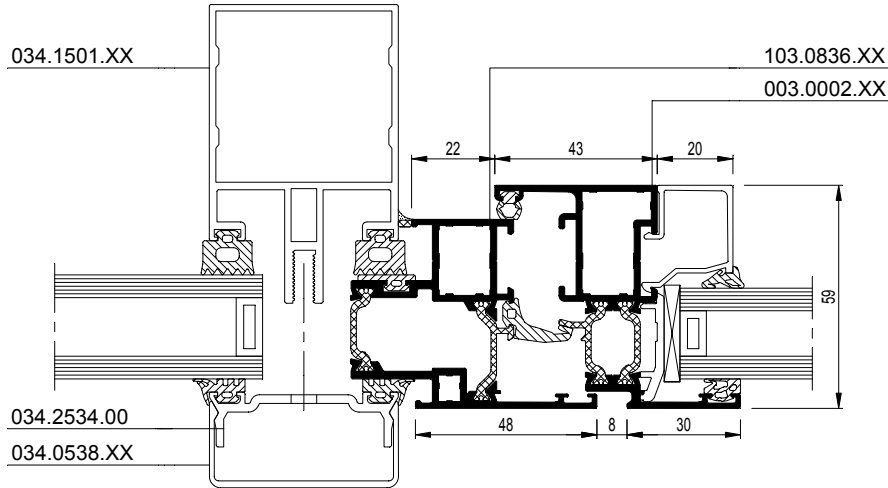


	15	16
CS 59	CW50-015001.dxf CW50-015001.dwg	CW50-016001.dxf CW50-016001.dwg
CS 68	CW50-015002.dxf CW50-015002.dwg	CW50-016002.dxf CW50-016002.dwg
CS 77	CW50-015003.dxf CW50-015003.dwg	CW50-016003.dxf CW50-016003.dwg

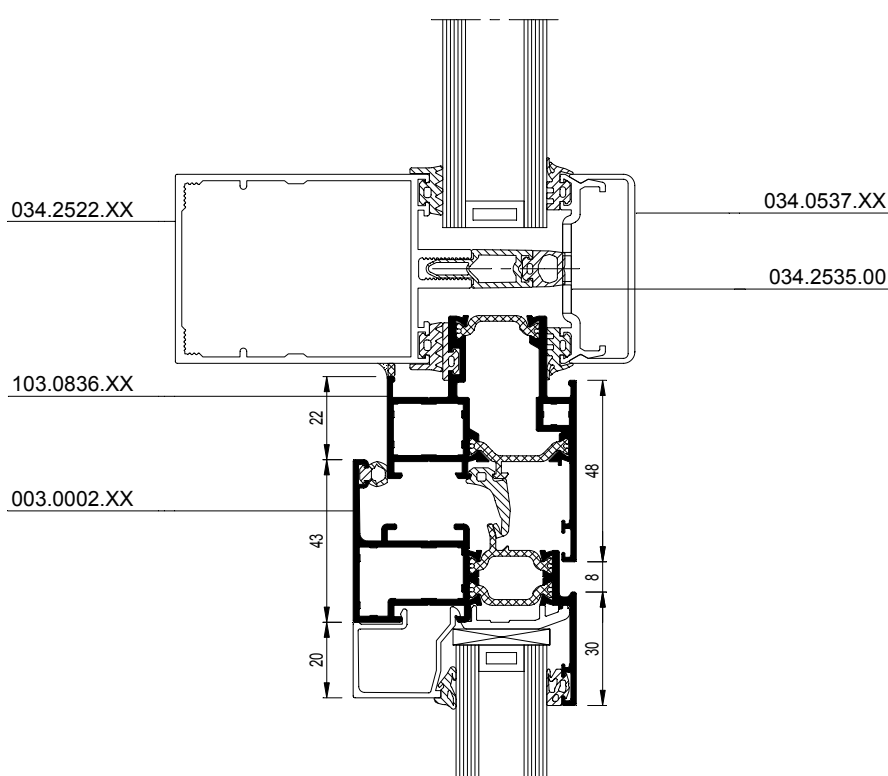


Eco system

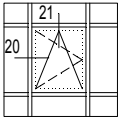
17



18

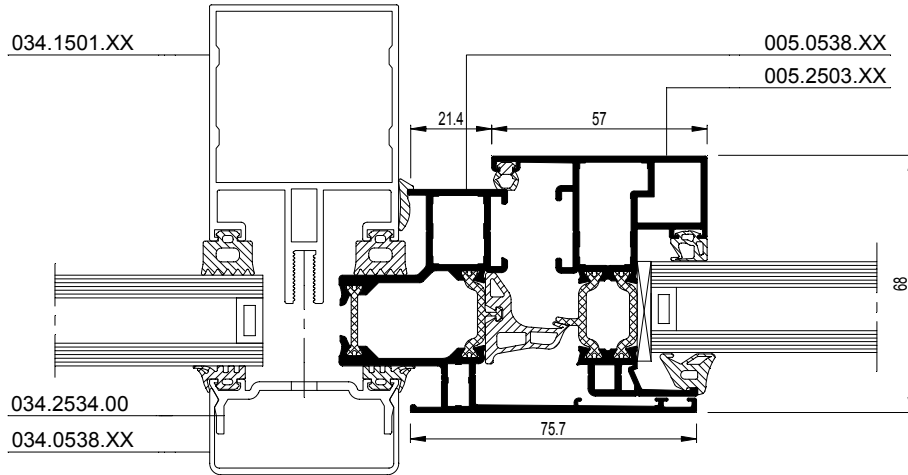


	17	18
Eco system	CW50-017001.dxf CW50-017001.dwg	CW50-018001.dxf CW50-018001.dwg

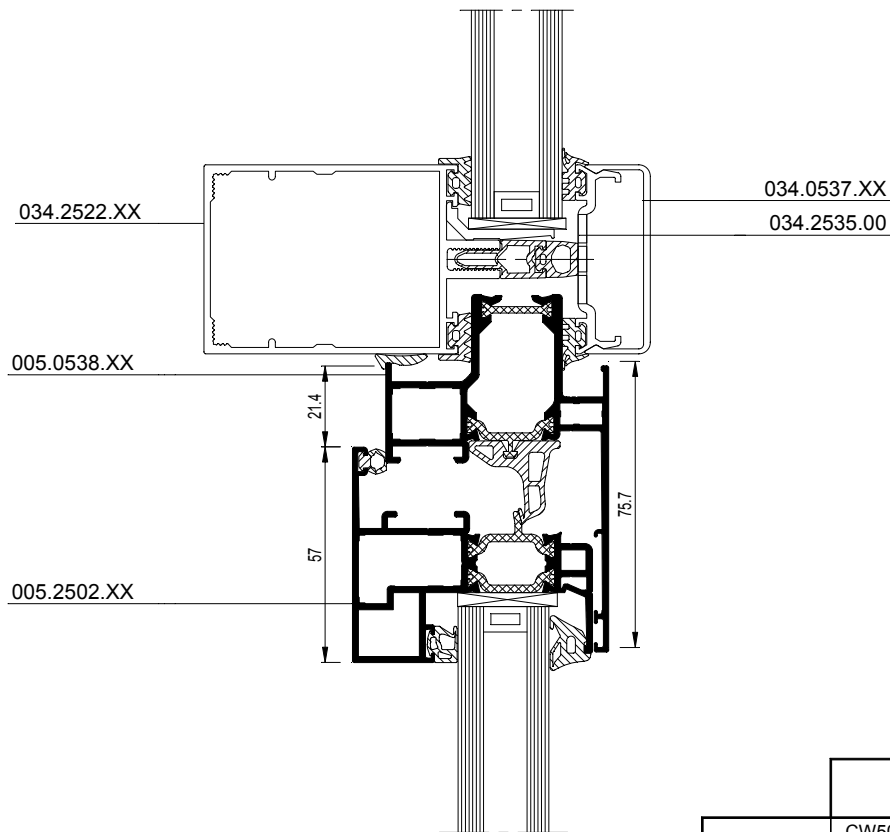


CS 68-HV

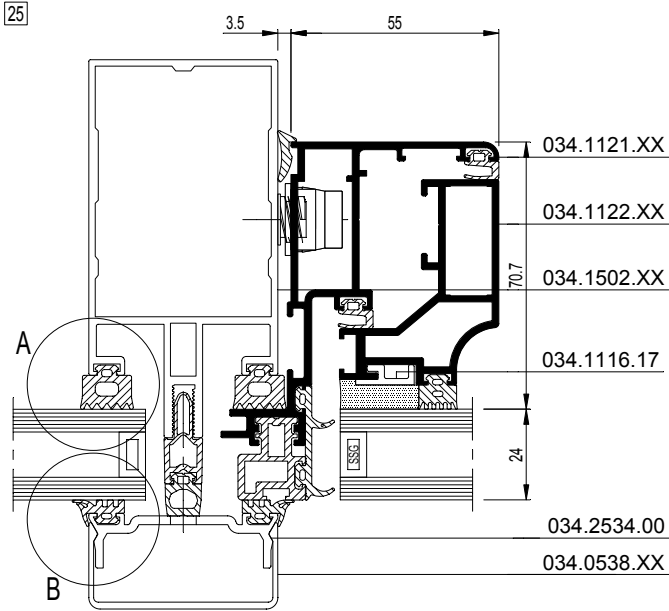
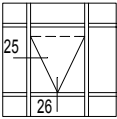
20



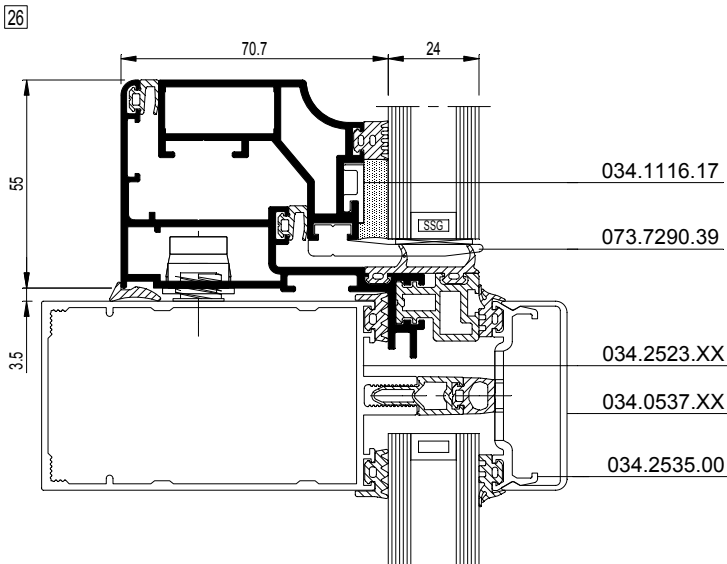
21



	20	21
CS 59-HV	CW50-020001.dxf CW50-020001.dwg	CW50-021001.dxf CW50-021001.dwg
CS 68-HV	CW50-020002.dxf CW50-020002.dwg	CW50-021002.dxf CW50-021002.dwg
CS 77-HV	CW50-020003.dxf CW50-020003.dwg	CW50-021003.dxf CW50-021003.dwg

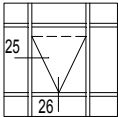


... .dxf
dwg

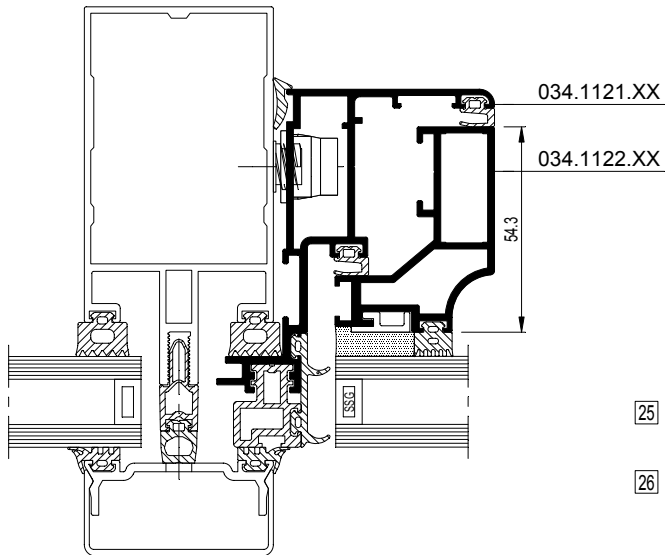


... .dxf
dwg





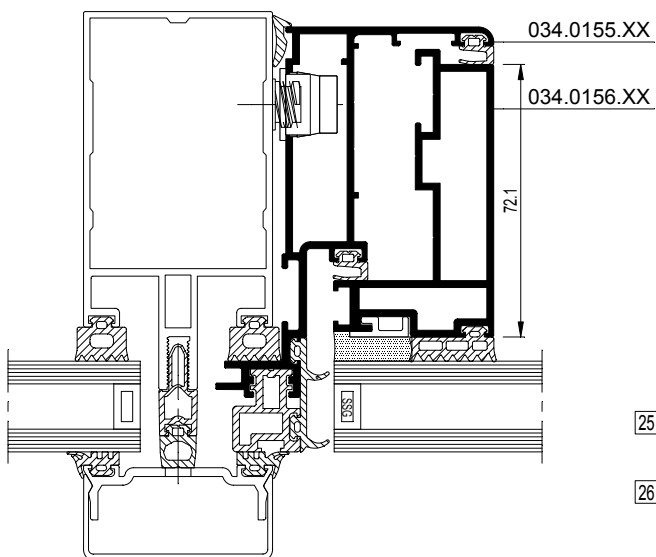
034.1121.XX + 034.1122.XX



25 CW50-025001.dxf
 CW50-025001.dwg

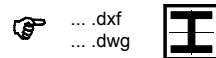
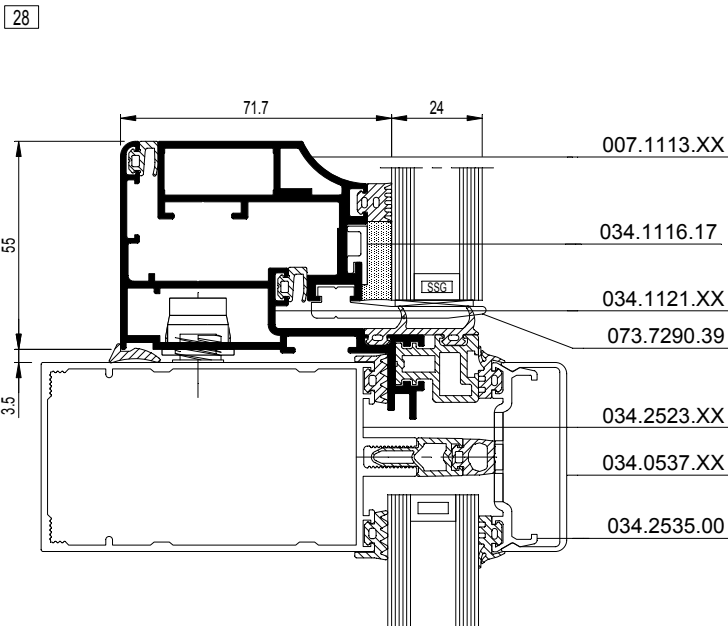
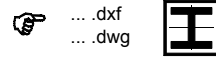
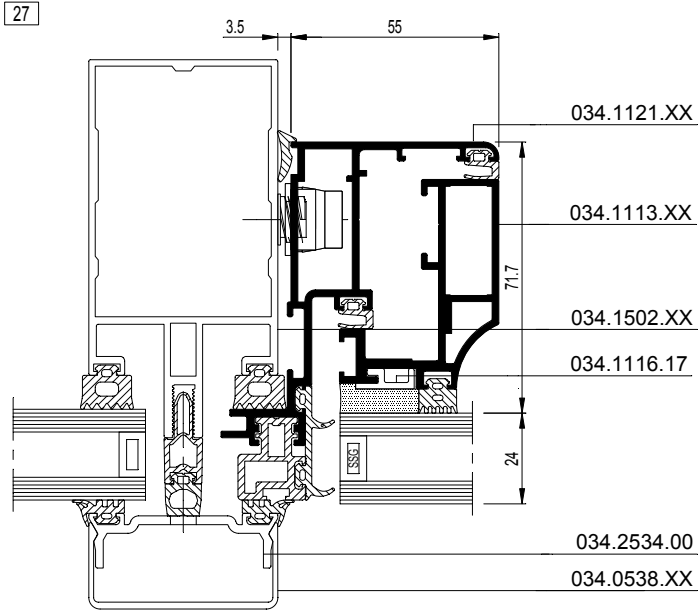
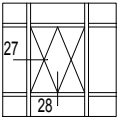
26 CW50-026001.dxf
 CW50-026001.dwg

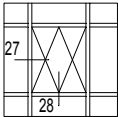
034.0155.XX + 034.0156.XX



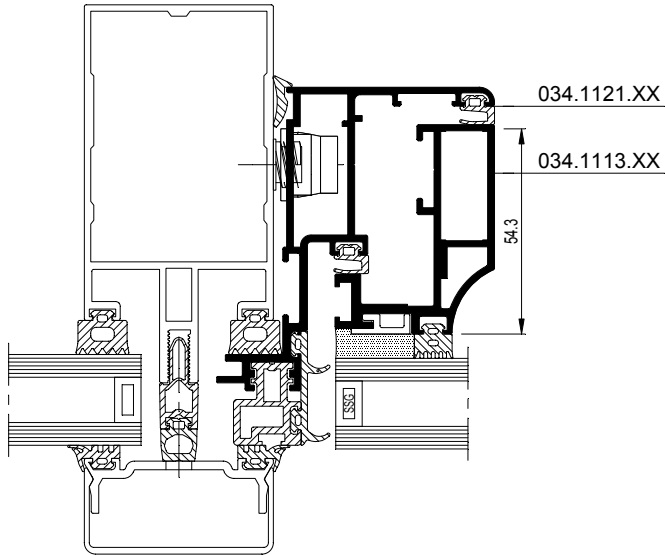
25 CW50-025004.dxf
 CW50-025004.dwg

26 CW50-026002.dxf
 CW50-026002.dwg



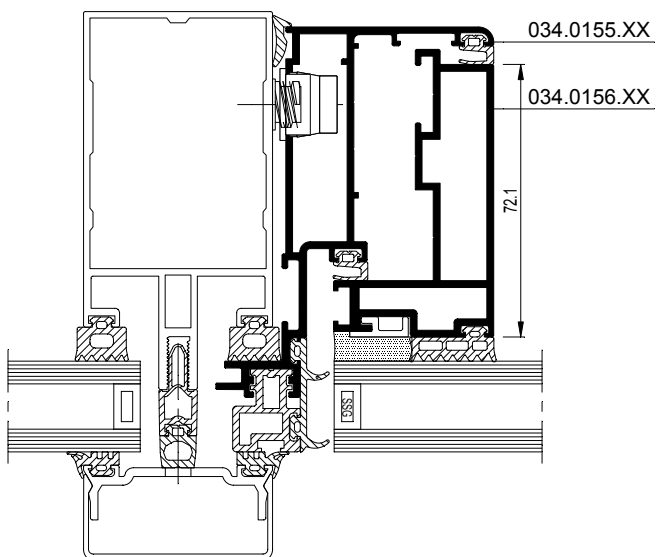


034.1121.XX + 034.1113.XX



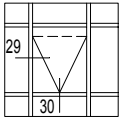
- 27 CW50-027001.dxf
CW50-027001.dwg
- 28 CW50-028001.dxf
CW50-028001.dwg

034.0155.XX + 034.0156.XX

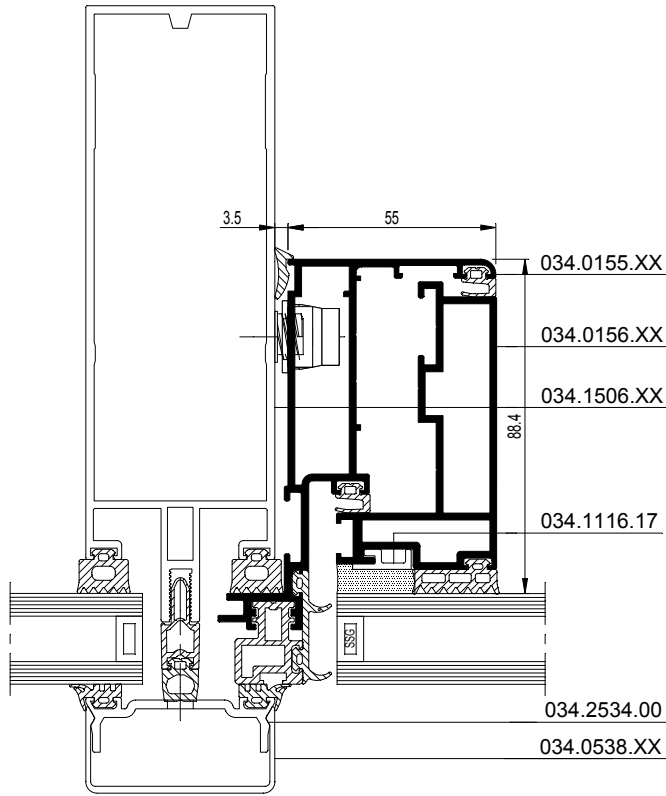


- 27 CW50-025004.dxf
CW50-025004.dwg
- 28 CW50-026002.dxf
CW50-026002.dwg



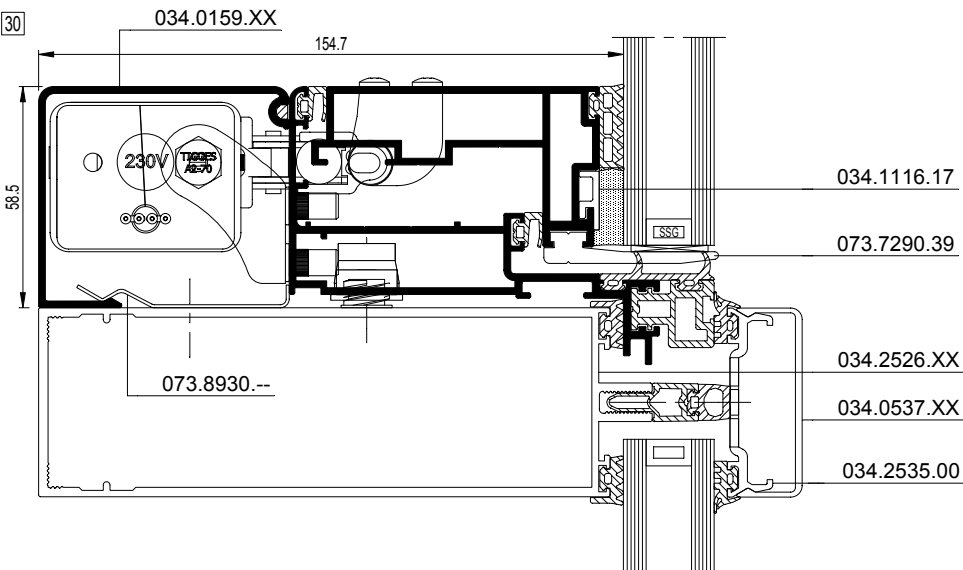


29



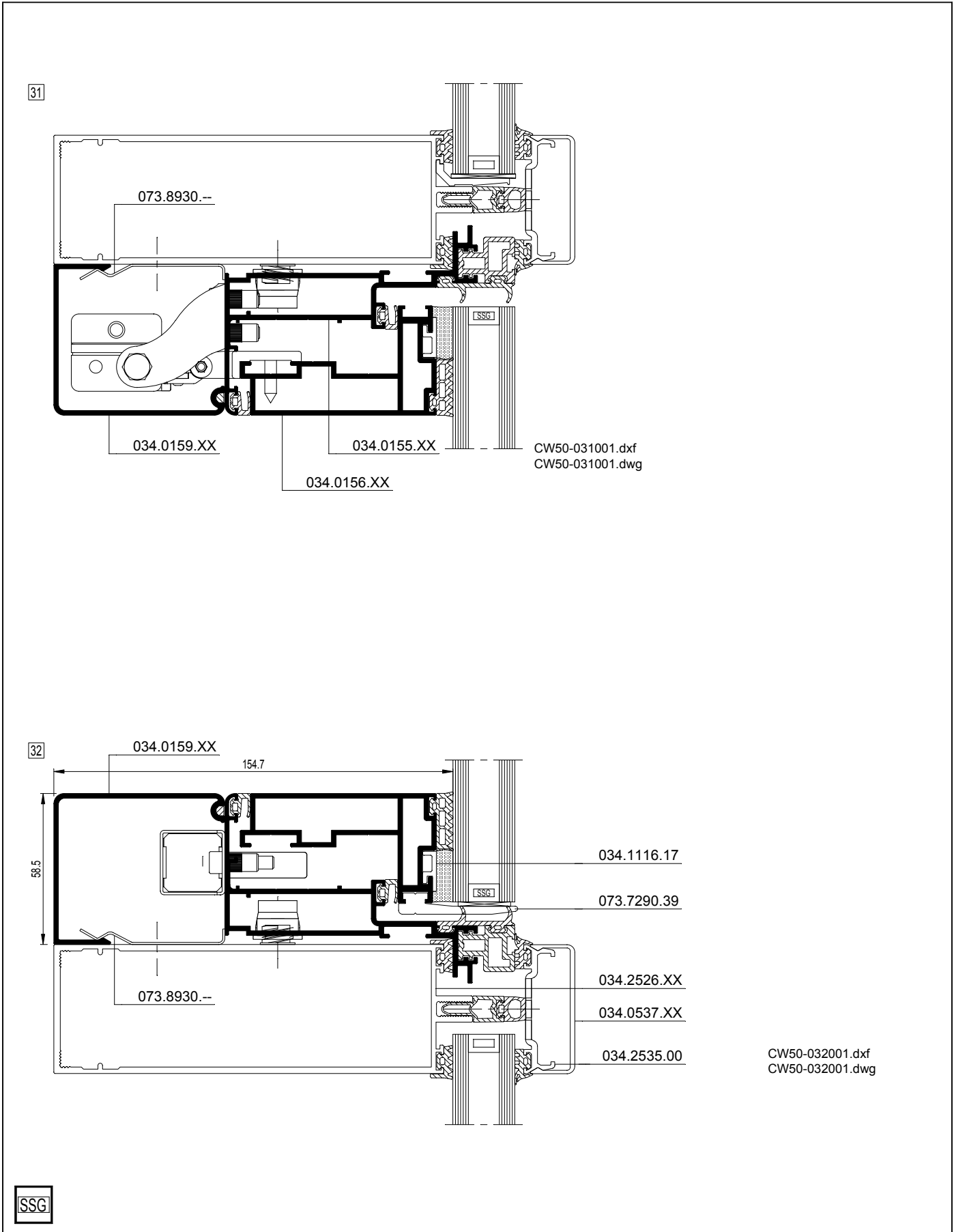
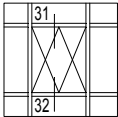
CW50-029001.dxf
 CW50-029001.dwg

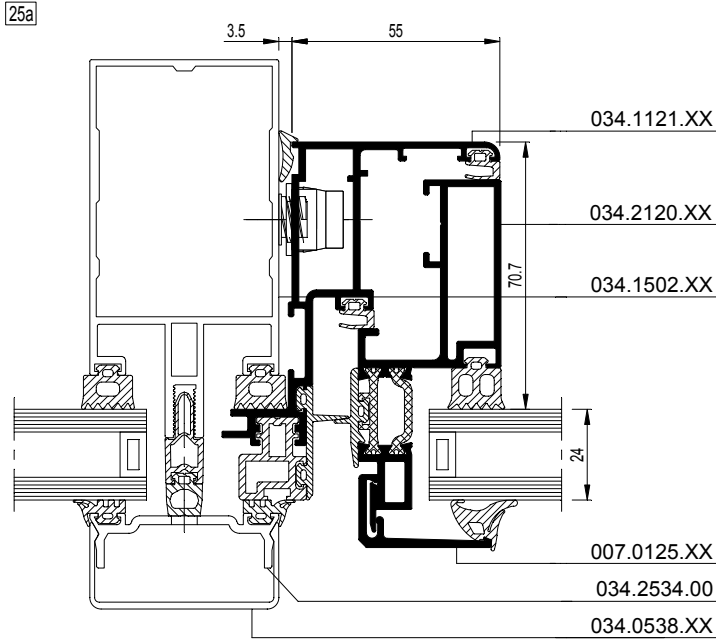
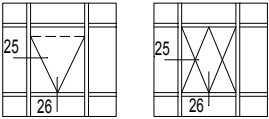
30



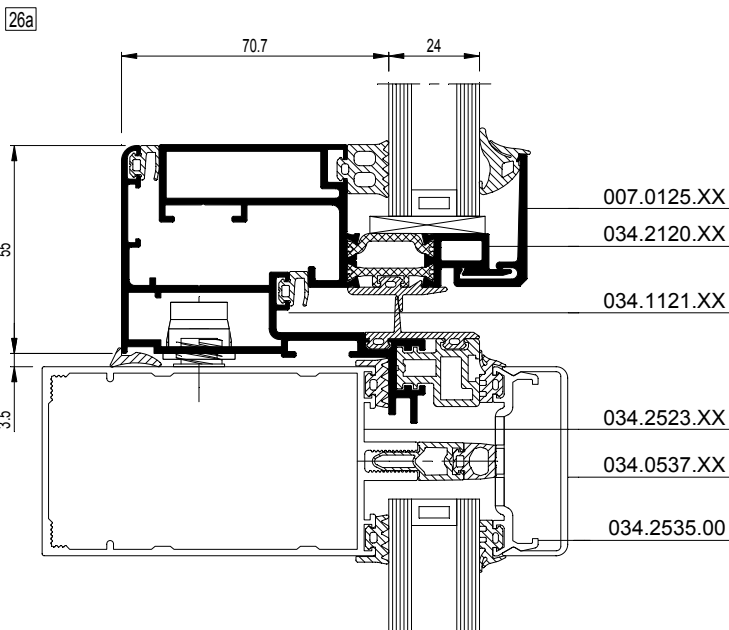
CW50-030001.dxf
 CW50-030001.dwg





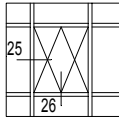
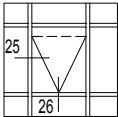


... .dxf
dwg

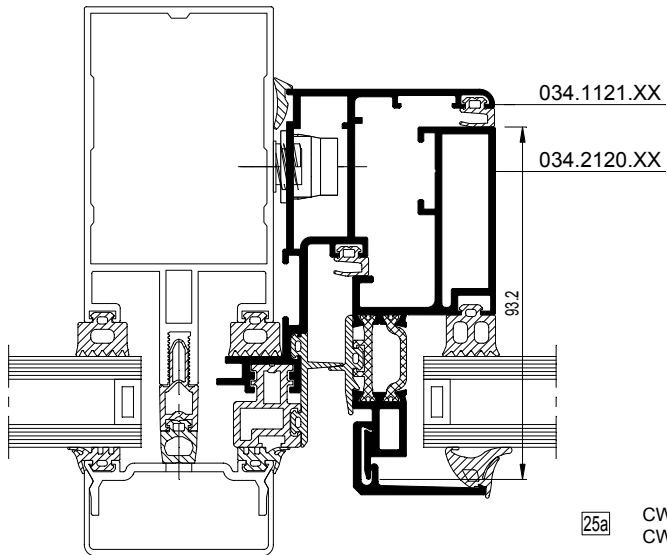


... .dxf
dwg





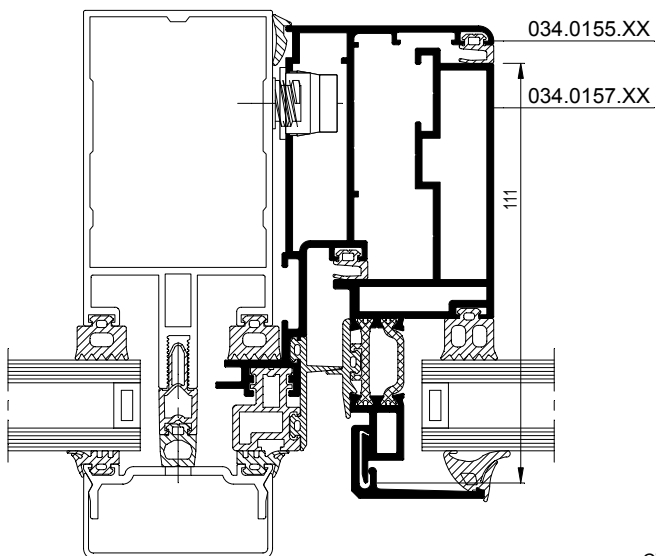
034.1121.XX + 034.2120.XX



25a CW50-025007.dxf
 CW50-025007.dwg

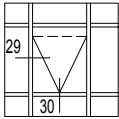
26a CW50-026003.dxf
 CW50-026003.dwg

034.0155.XX + 034.0157.XX

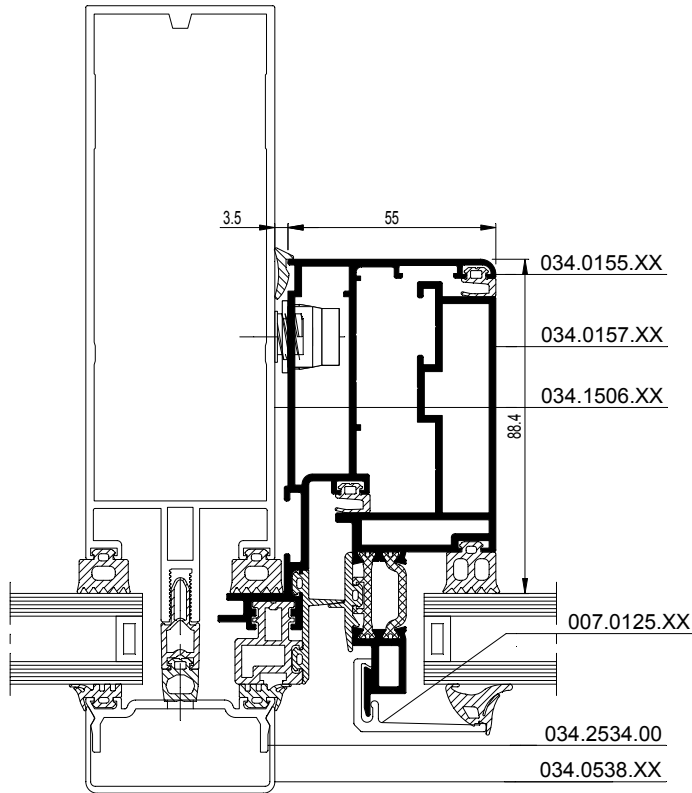


25a CW50-025010.dxf
 CW50-025010.dwg

26a CW50-026004.dxf
 CW50-026004.dwg

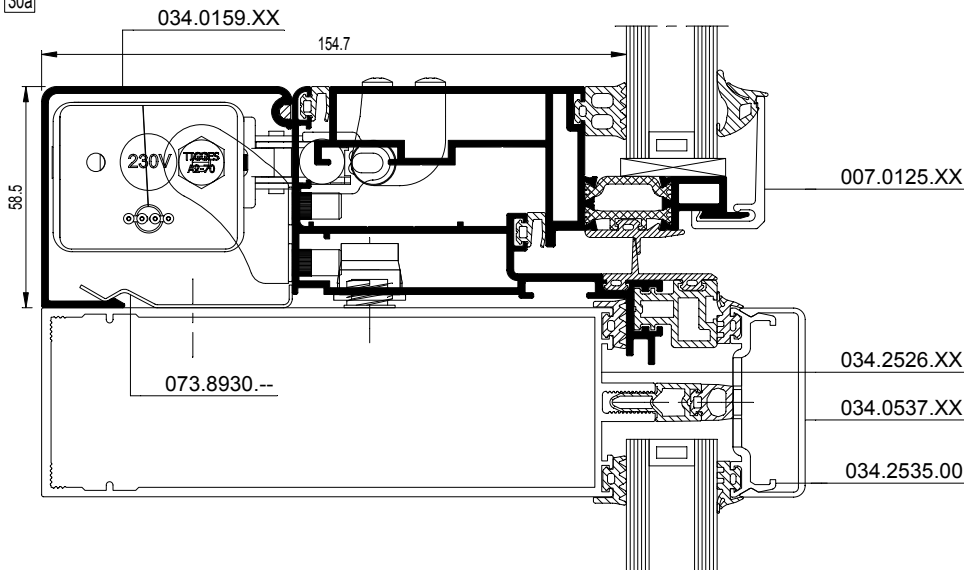


29a



CW50-029002.dxf
 CW50-029002.dwg

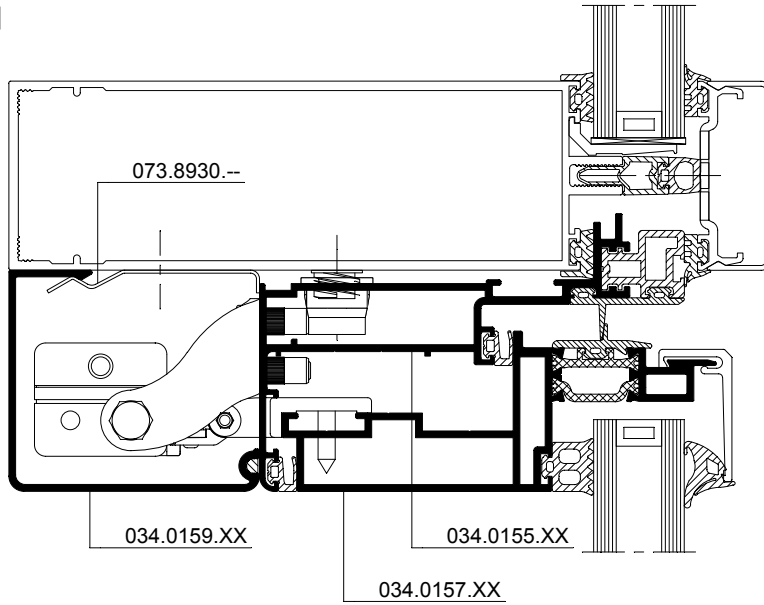
30a



CW50-030002.dxf
 CW50-030002.dwg

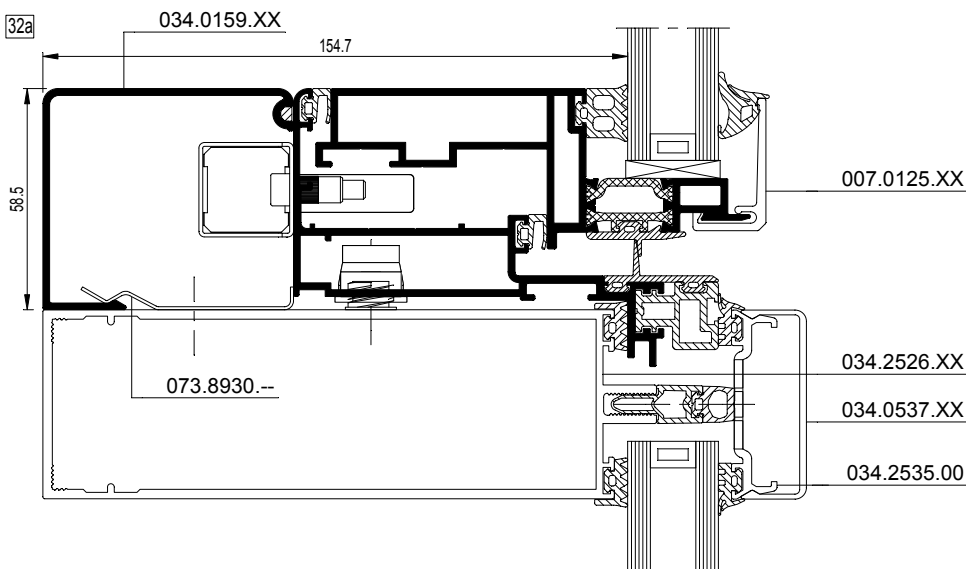
31	
32	

31a



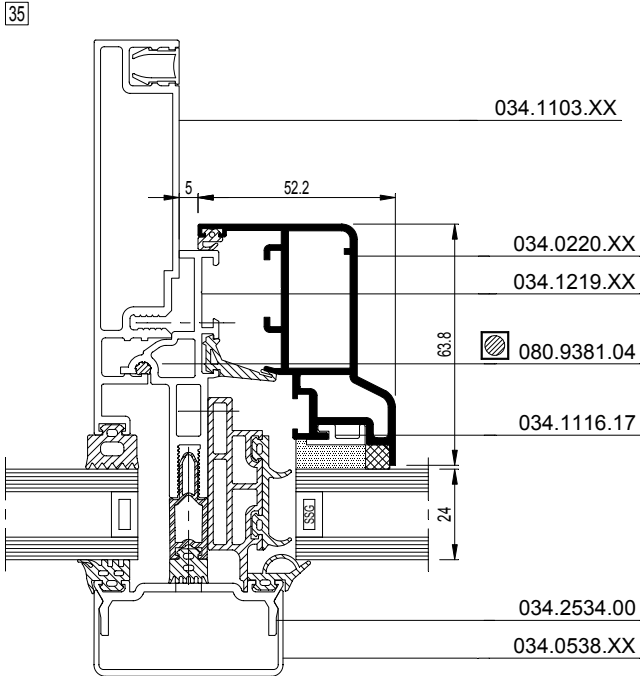
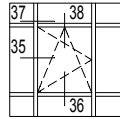
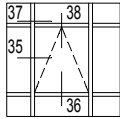
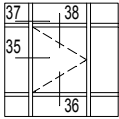
CW50-031002.dxf
 CW50-031002.dwg

32a

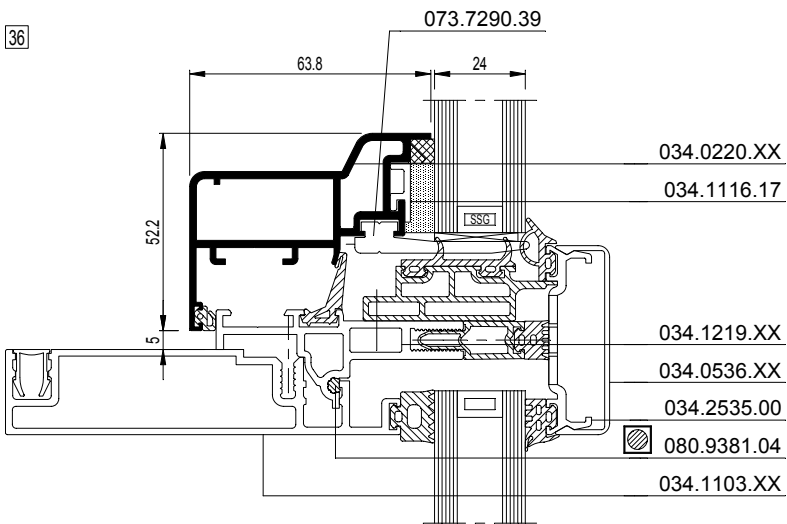


CW50-032002.dxf
 CW50-032002.dwg



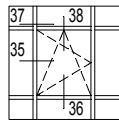
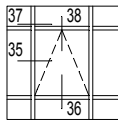
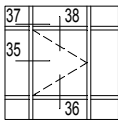


CW50-035001.dxf
 CW50-035001.dwg

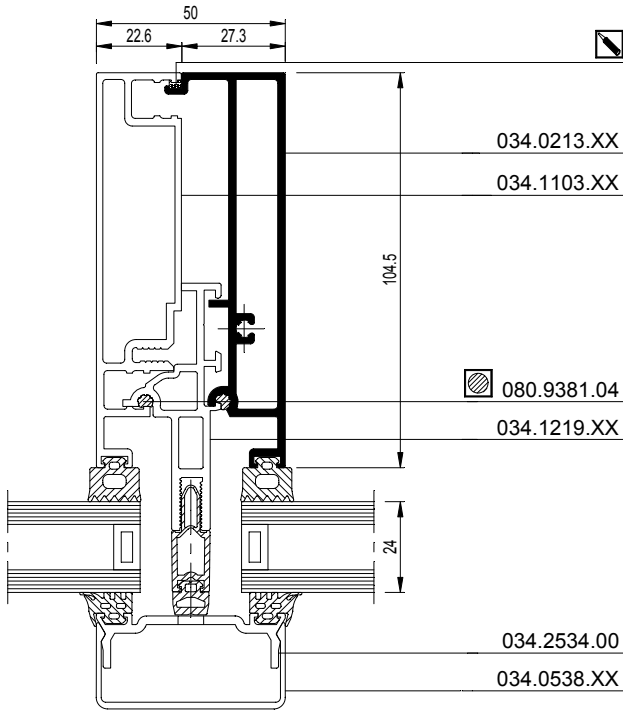


CW50-036001.dxf
 CW50-036001.dwg



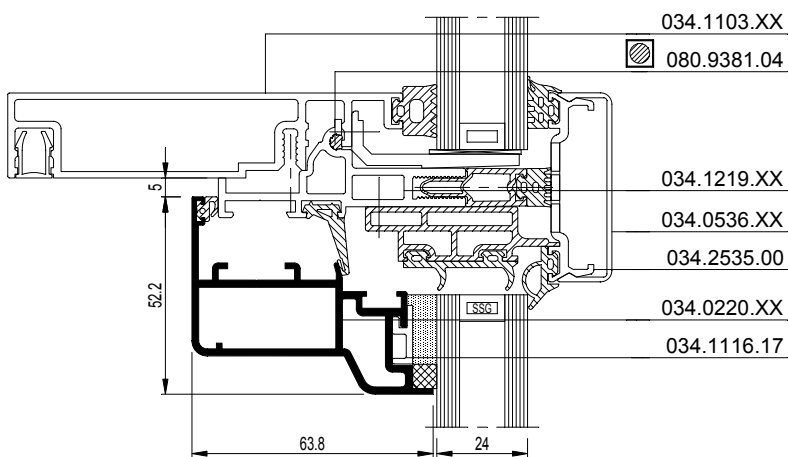


37



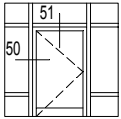
CW50-037001.dxf
 CW50-037001.dwg

38



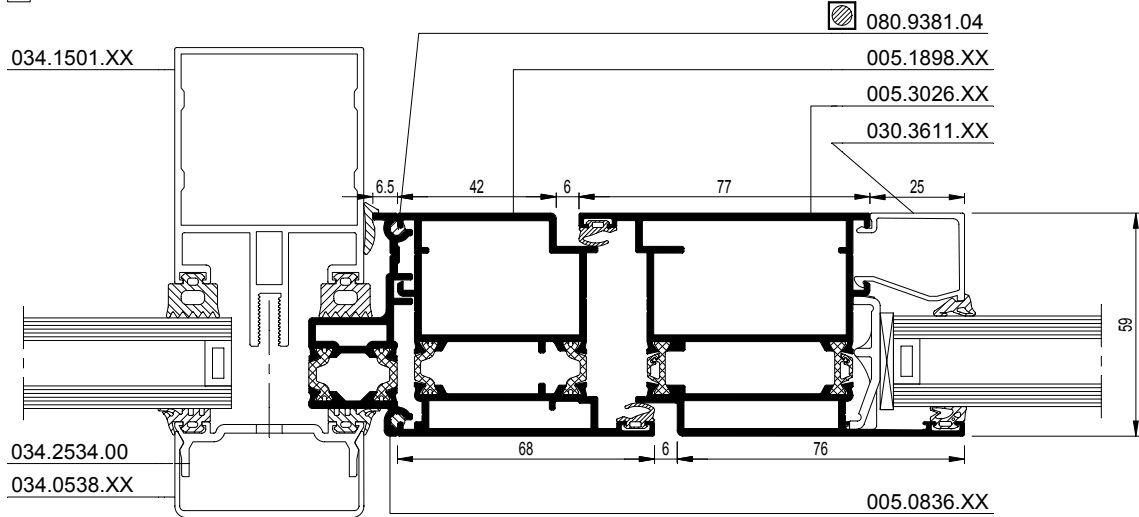
CW50-038001.dxf
 CW50-038001.dwg



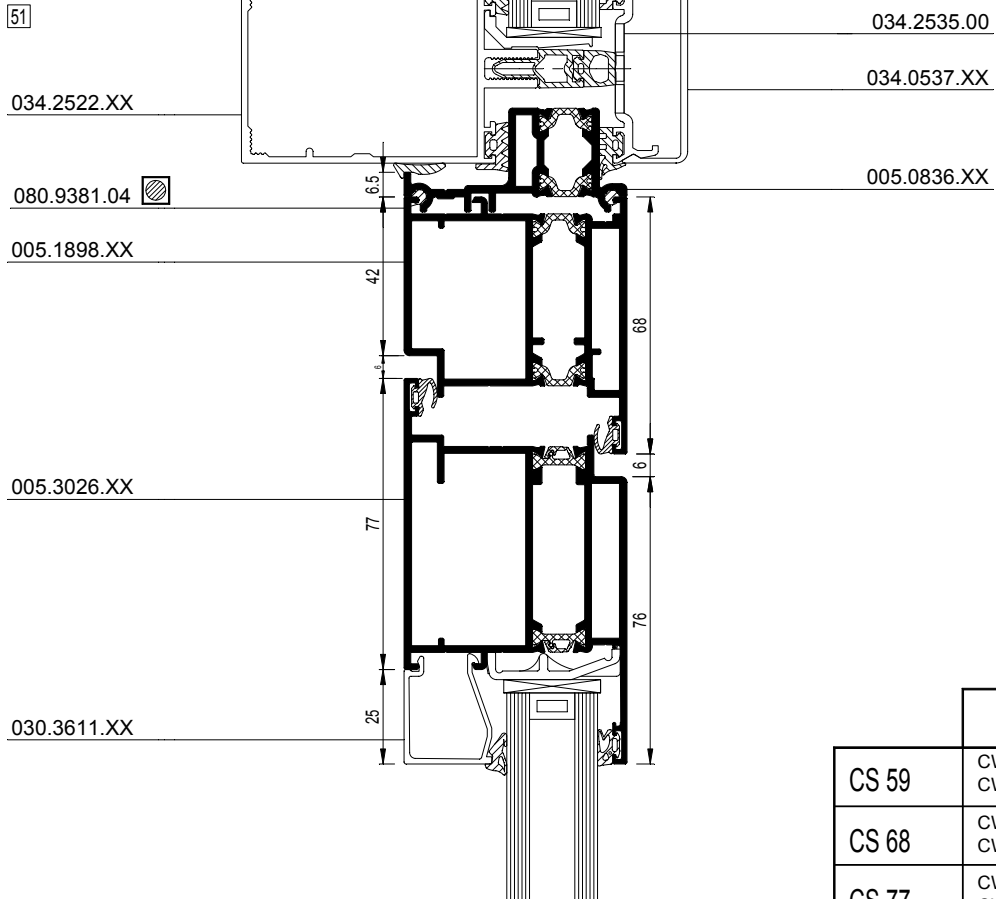


CS 68

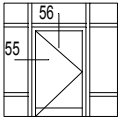
50



51

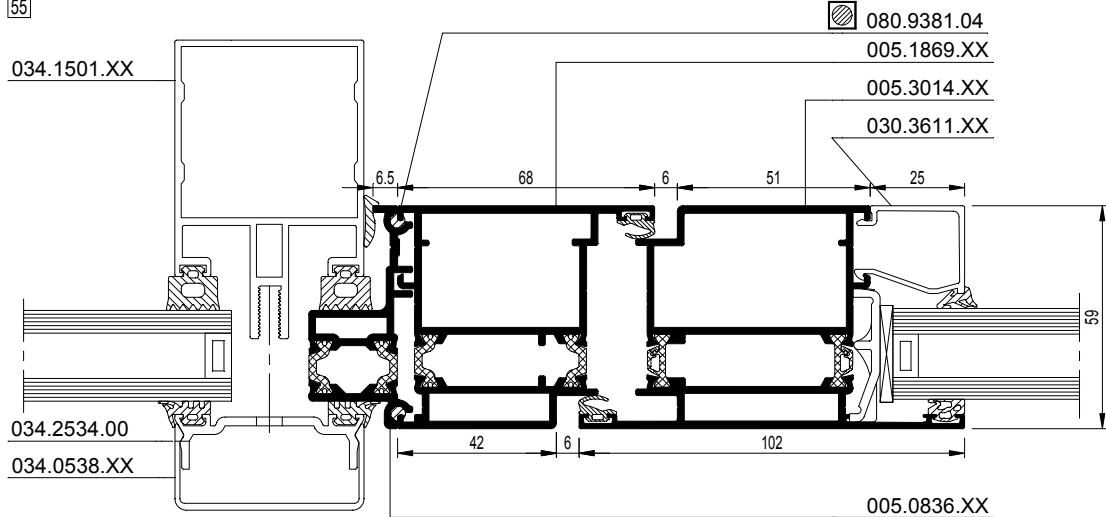


	50	51
CS 59	CW50-050001.dxf CW50-050001.dwg	CW50-051001.dxf CW50-051001.dwg
CS 68	CW50-050002.dxf CW50-050002.dwg	CW50-051002.dxf CW50-051002.dwg
CS 77	CW50-050003.dxf CW50-050003.dwg	CW50-051003.dxf CW50-050003.dwg

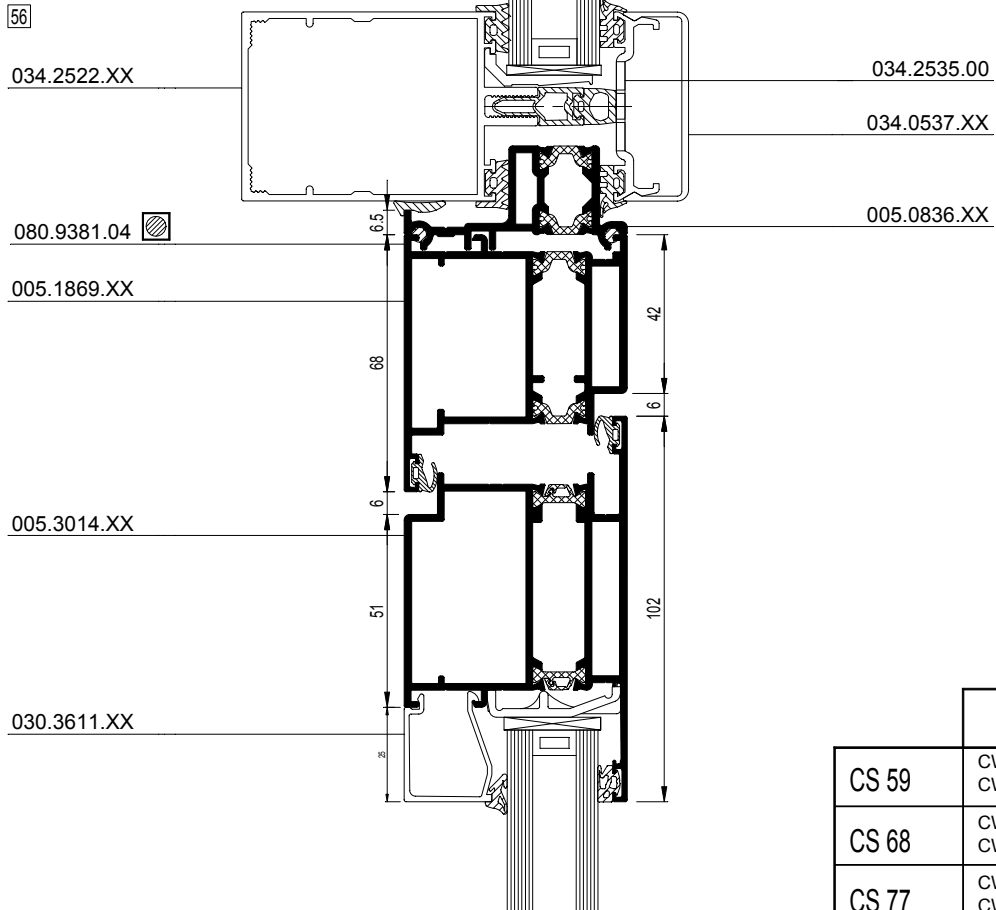


CS 68

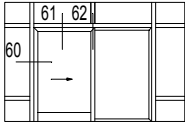
55



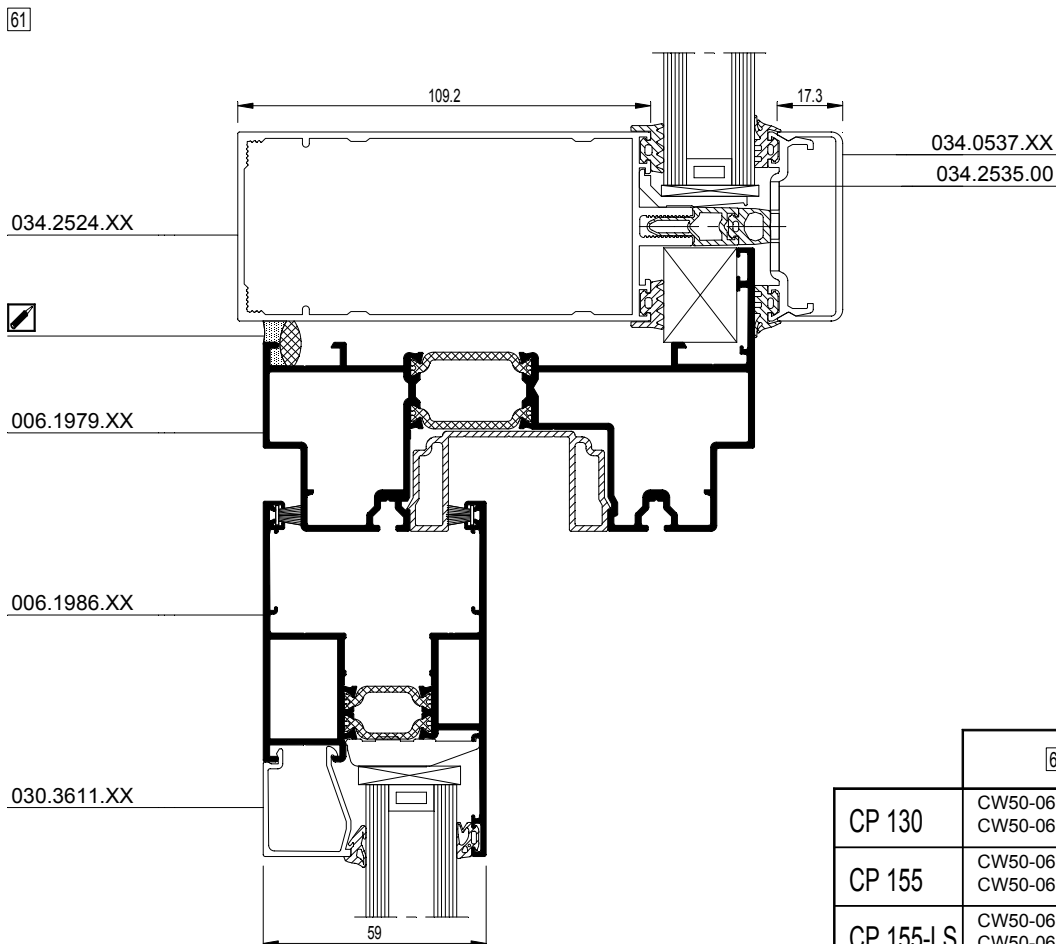
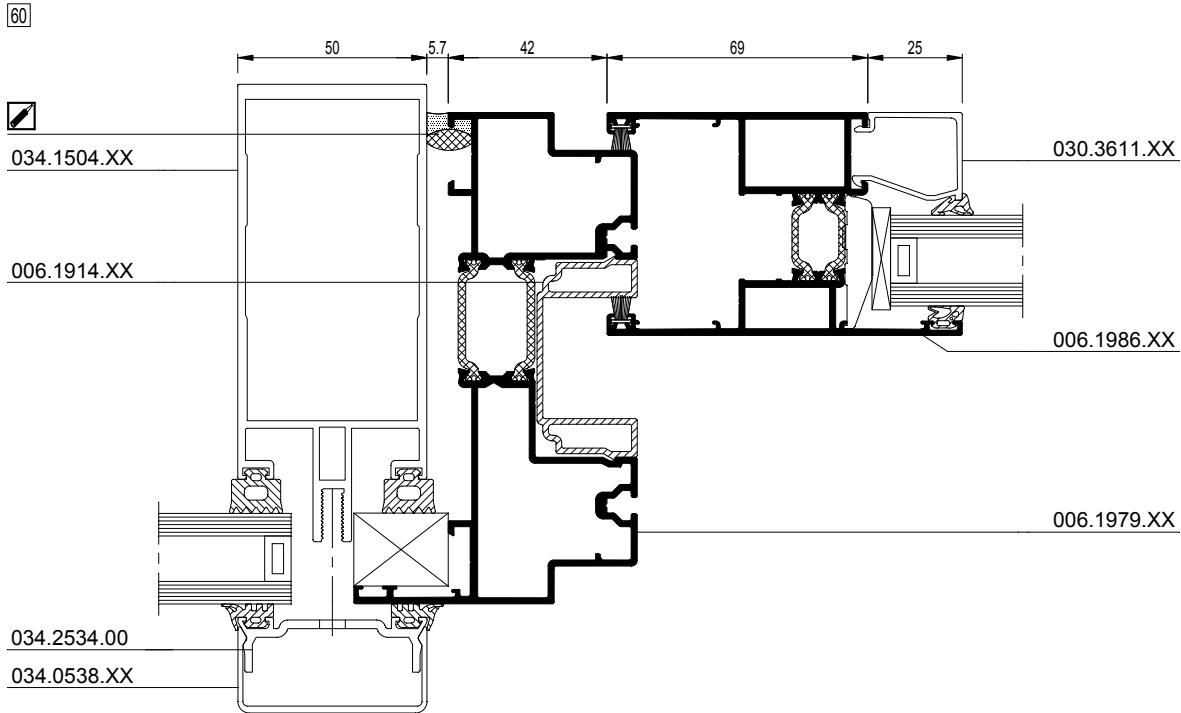
56



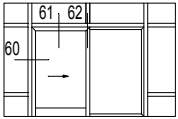
	55	56
CS 59	CW50-055001.dxf CW50-055001.dwg	CW50-056001.dxf CW50-056001.dwg
CS 68	CW50-055002.dxf CW50-055002.dwg	CW50-056002.dxf CW50-056002.dwg
CS 77	CW50-055003.dxf CW50-055003.dwg	CW50-056003.dxf CW50-056003.dwg



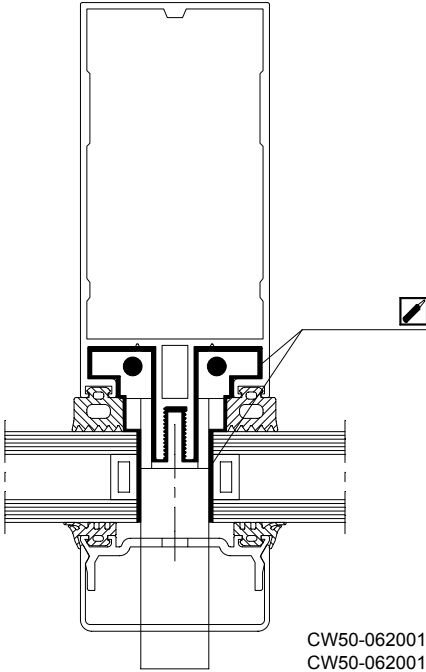
TP 110



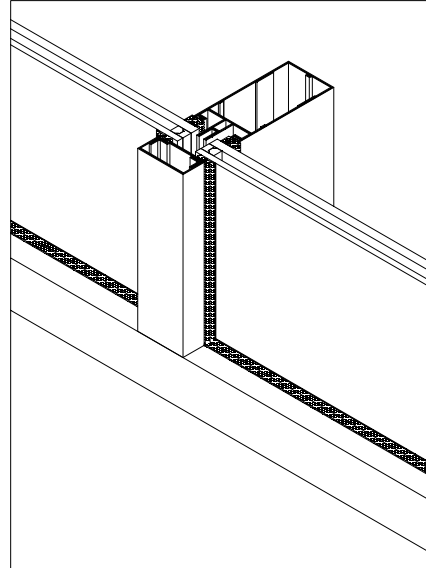
	60	61
CP 130	CW50-060001.dxf CW50-060001.dwg	CW50-061001.dxf CW50-061001.dwg
CP 155	CW50-060002.dxf CW50-060002.dwg	CW50-061002.dxf CW50-061002.dwg
CP 155-LS	CW50-060003.dxf CW50-060003.dwg	CW50-061003.dxf CW50-061003.dwg



62

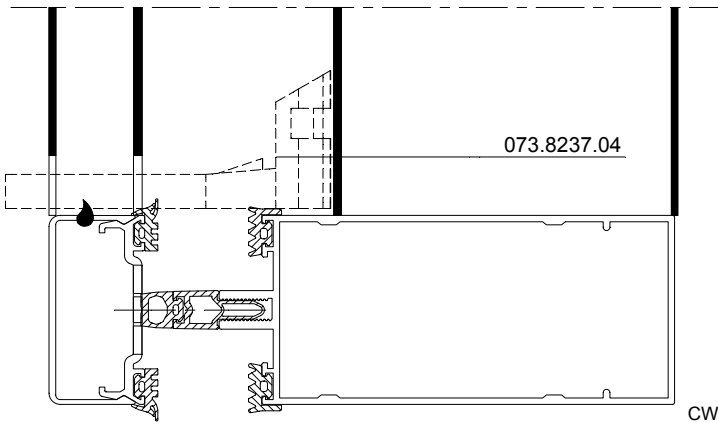


CW50-062001.dxf
 CW50-062001.dwg



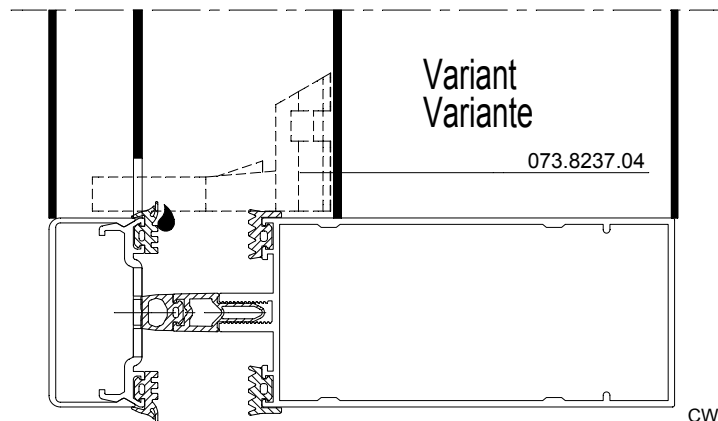
CW50-3d0004.dxf
 CW50-3d0004.dwg

62

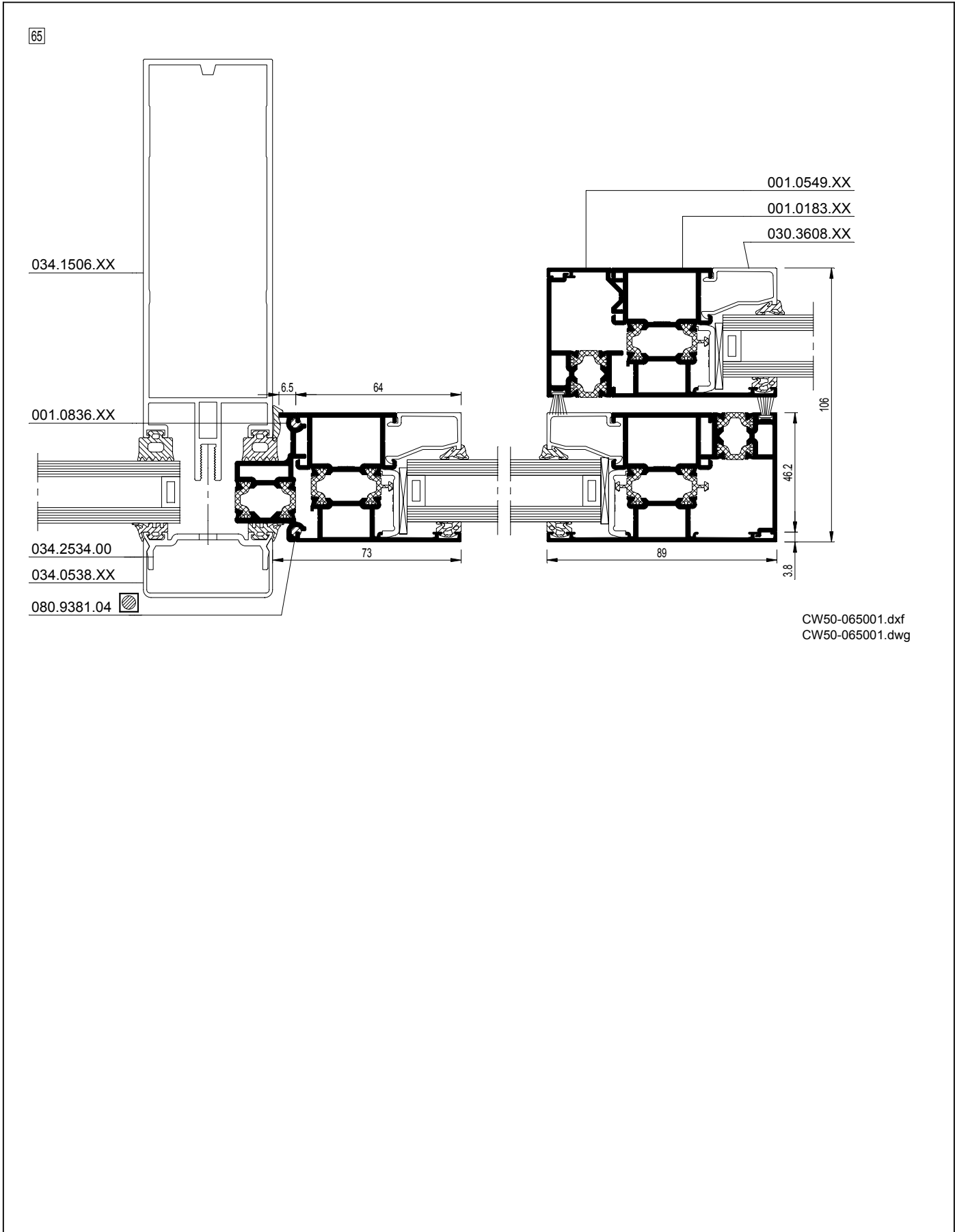
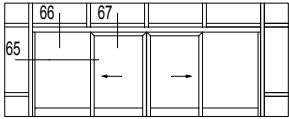


CW50-062002.dxf
 CW50-062002.dwg

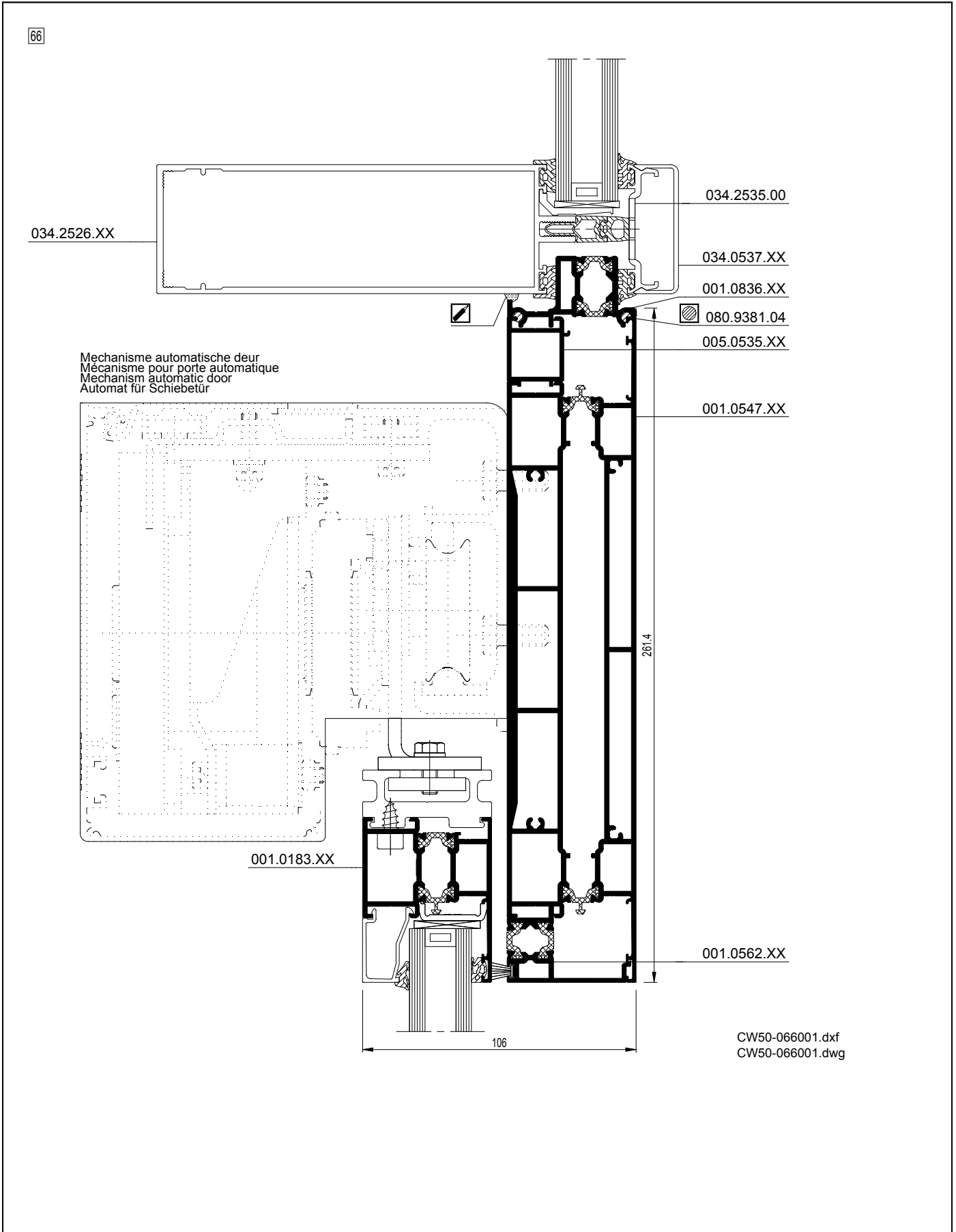
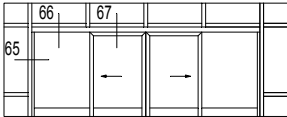
62

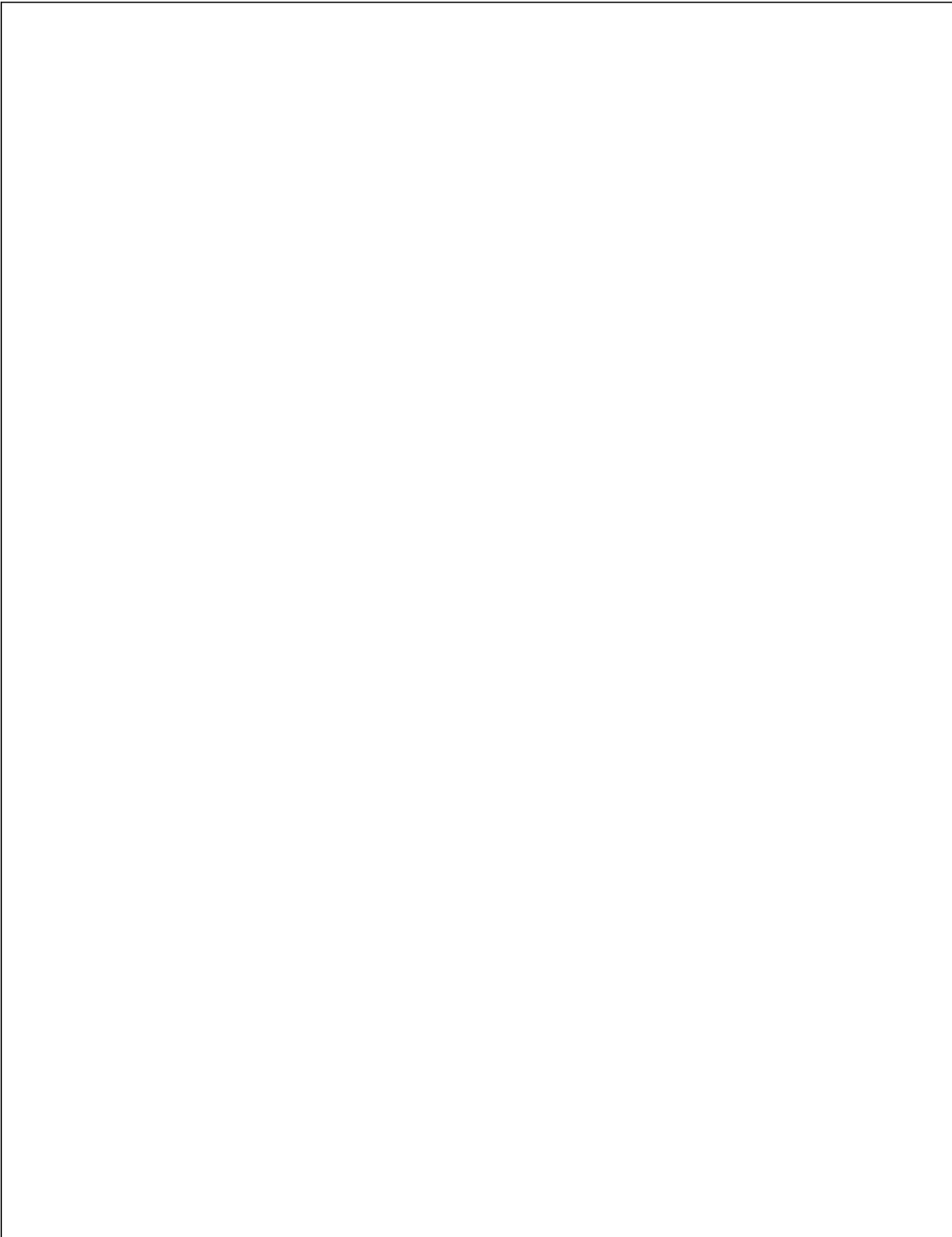


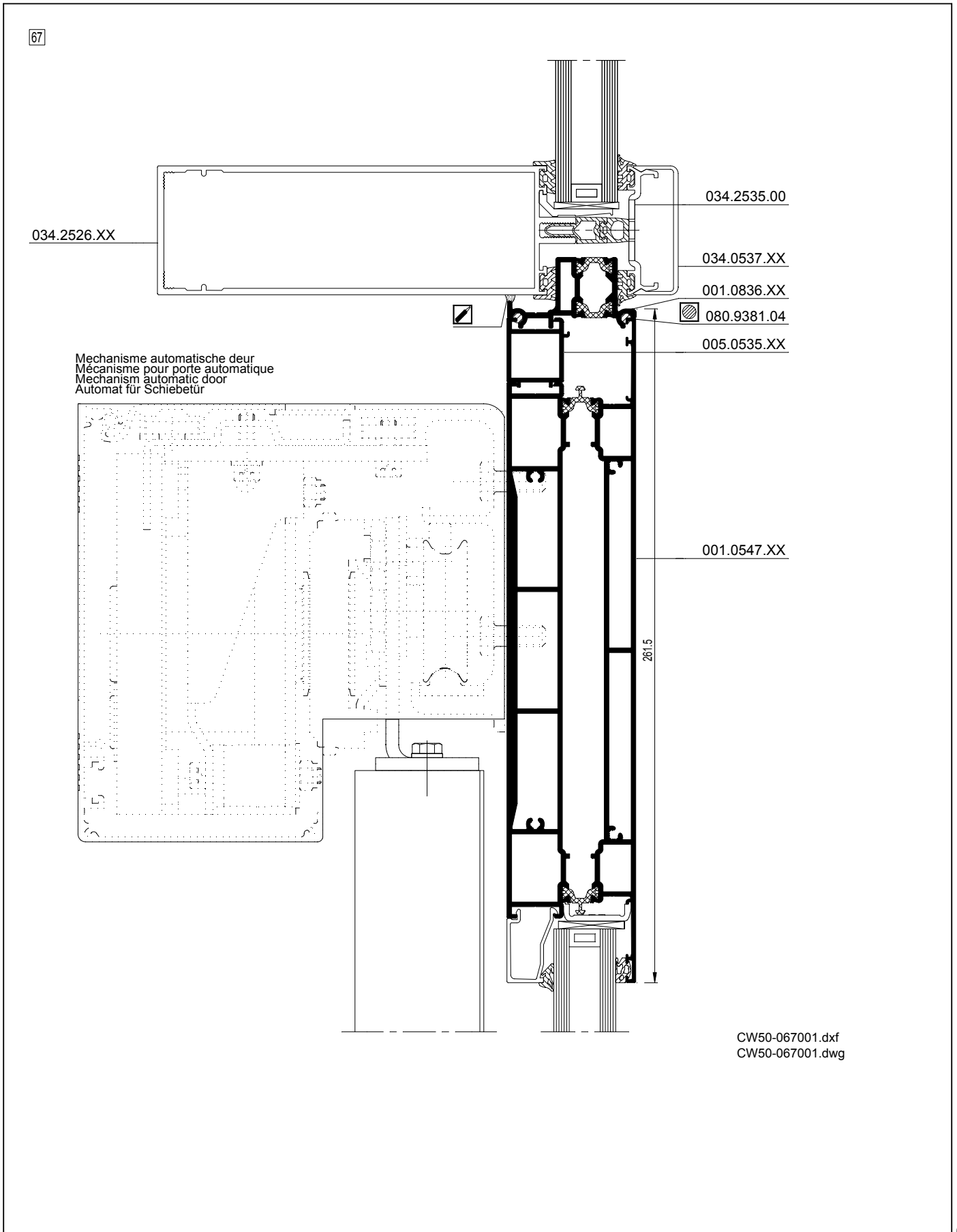
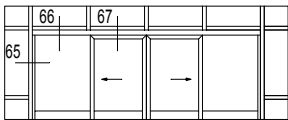
CW50-062003.dxf
 CW50-062003.dwg

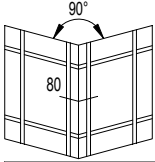


CW50-065001.dxf
 CW50-065001.dwg

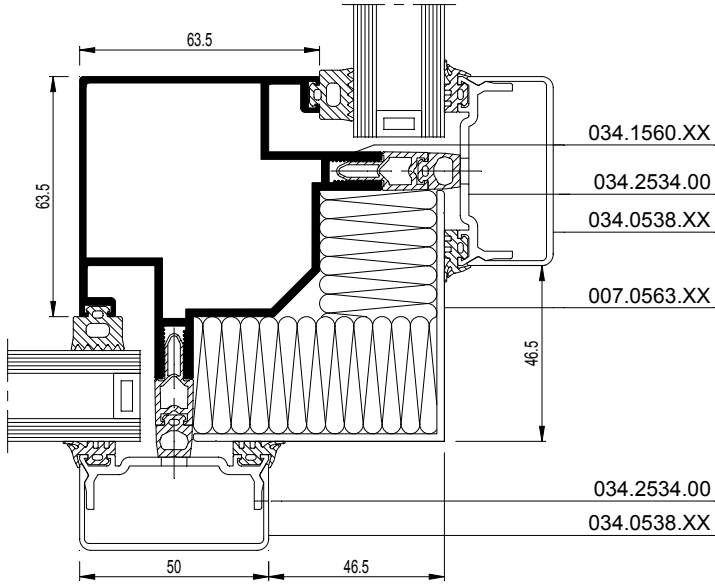




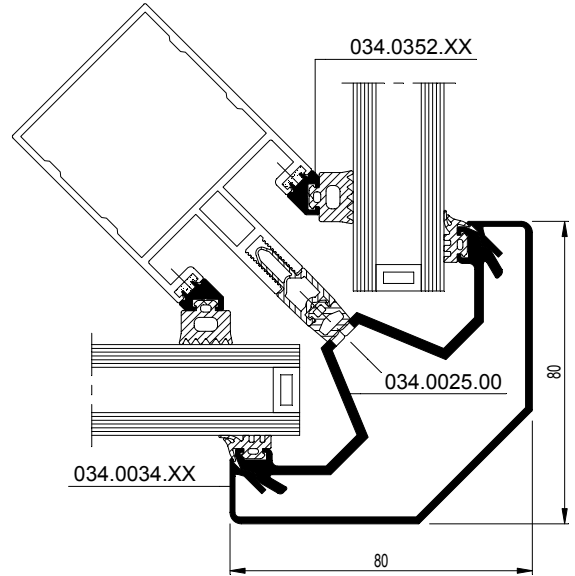




80

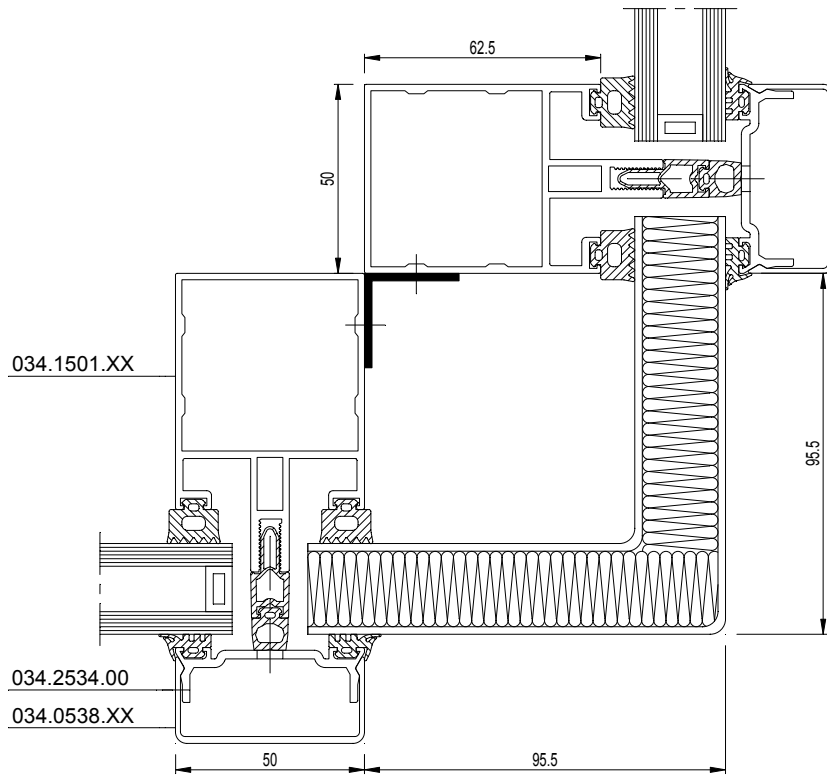


CW50-080001.dxf
 CW50-080001.dwg

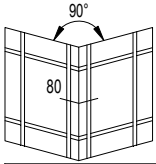


CW50-080005.dxf
 CW50-080005.dwg

80



CW50-080002.dxf
 CW50-080002.dwg



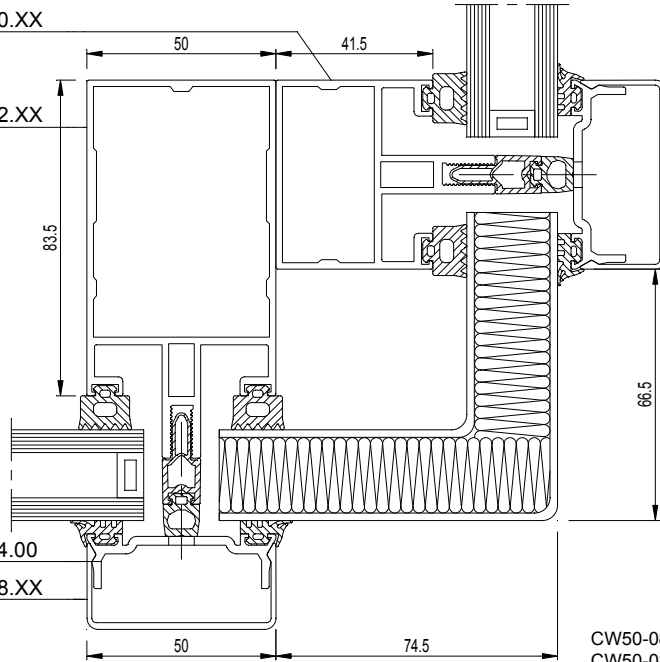
80

034.1500.XX

034.1502.XX

034.2534.00

034.0538.XX



CW50-080003.dxf
 CW50-080003.dwg

80

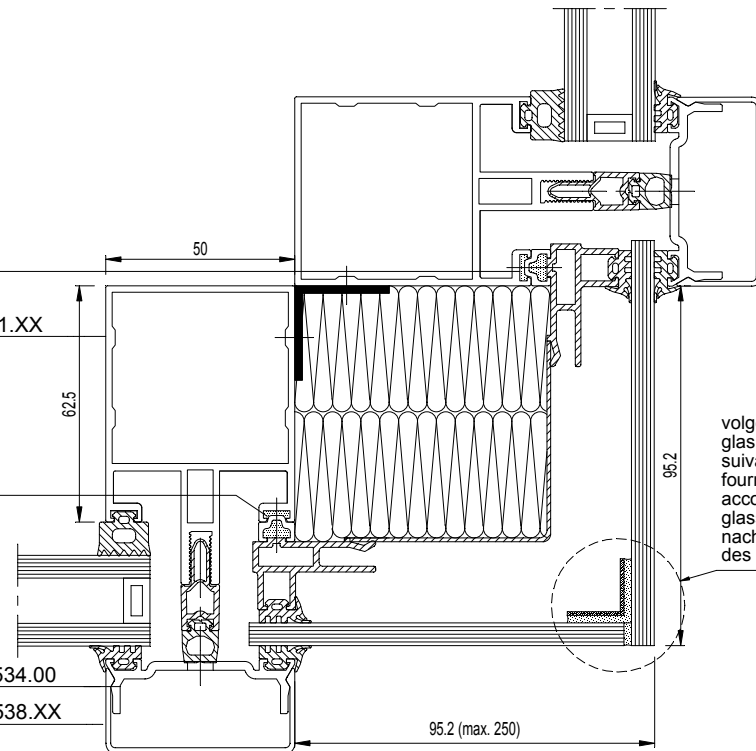


034.1501.XX



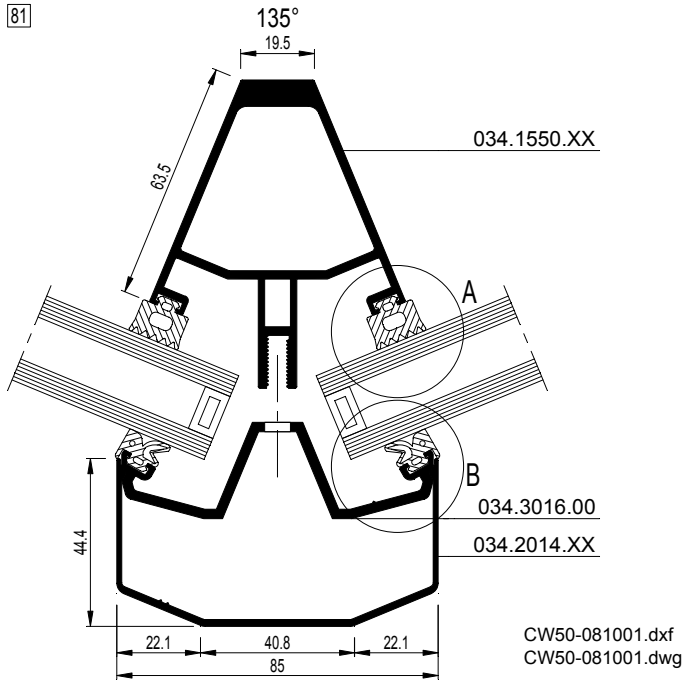
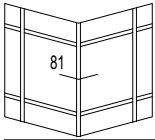
034.2534.00

034.0538.XX

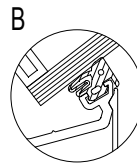
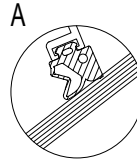


volgens voorschriften
 glas fabricant
 suivant spécifications
 fournisseur du vitrage
 according to specification
 glass supplier
 nach spezifikationen
 des glaslieferanten

CW50-080004.dxf
 CW50-080004.dwg

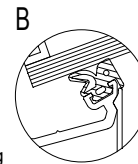
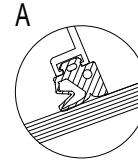


MIN. 105°

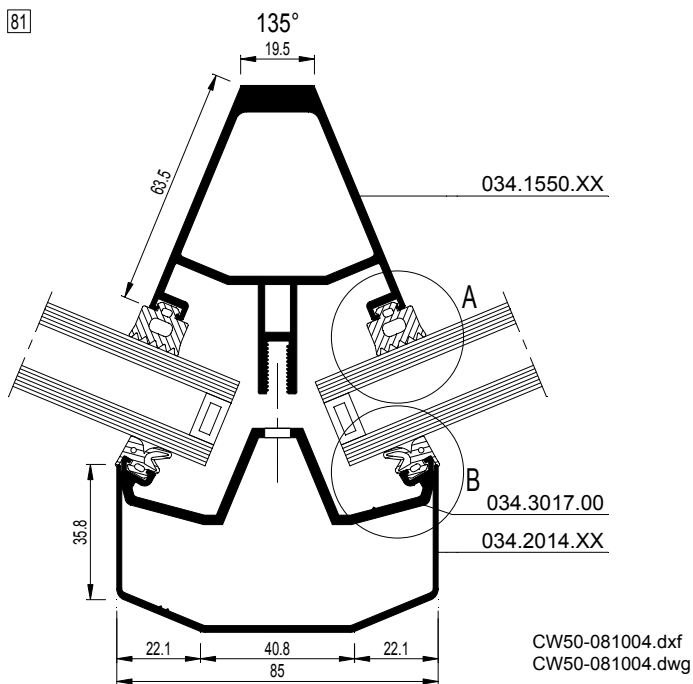


CW50-081002.dxf
CW50-081002.dwg

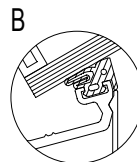
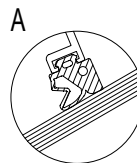
MAX. 140°



CW50-081003.dxf
CW50-081003.dwg

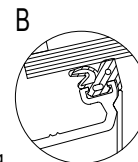
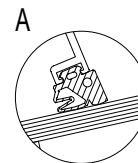


MIN. 120°

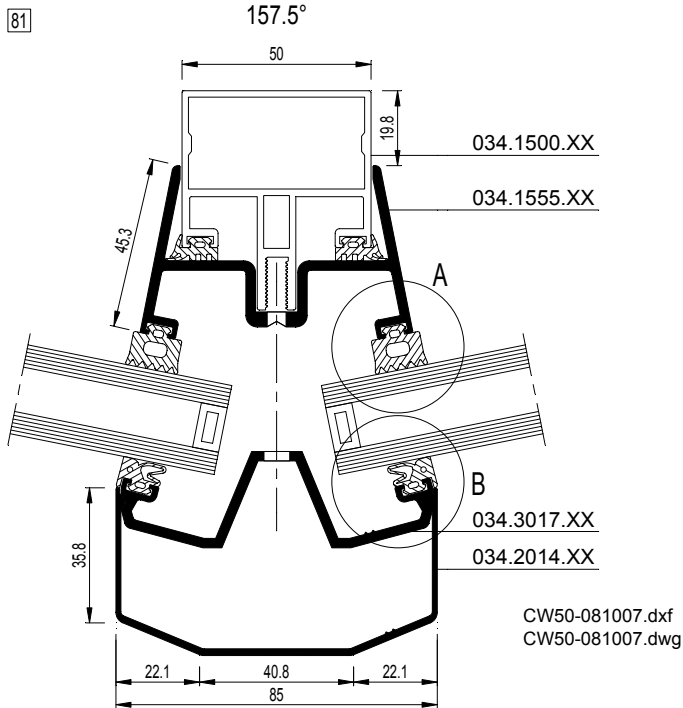
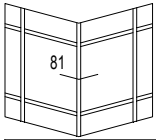


CW50-081005.dxf
CW50-081005.dwg

MAX. 155°

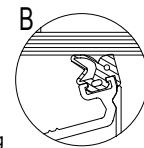
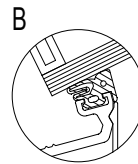
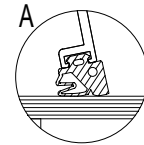
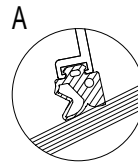


CW50-081006.dxf
CW50-081006.dwg



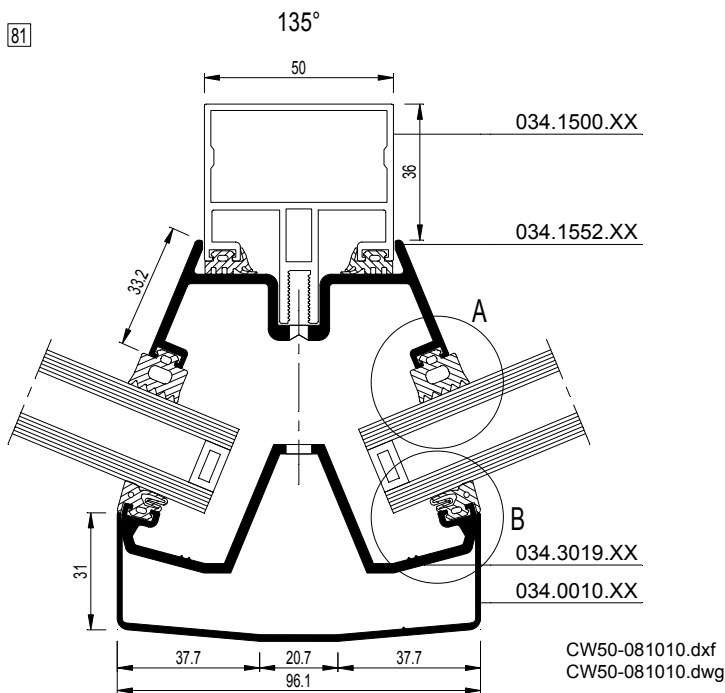
MIN. 127.5°

MAX. 180°



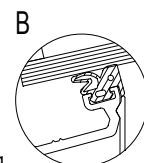
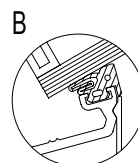
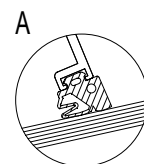
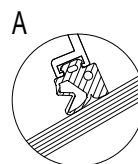
CW50-081008.dxf
 CW50-081008.dwg

CW50-081009.dxf
 CW50-081009.dwg



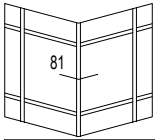
MIN. 120°

MAX. 155°

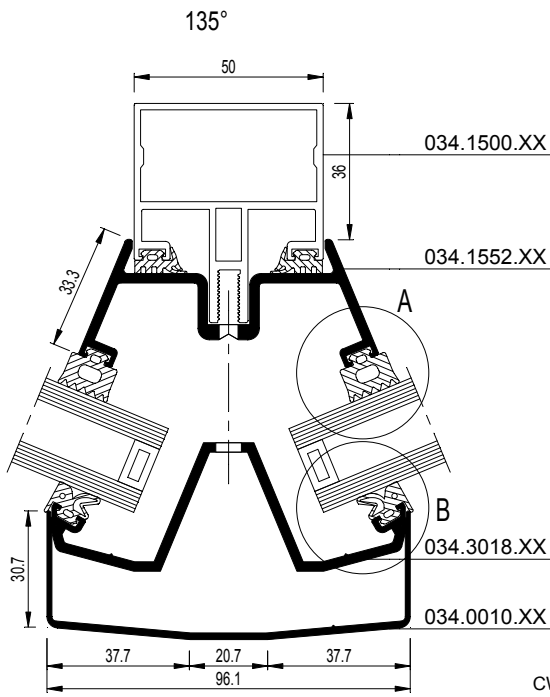


CW50-081011.dxf
 CW50-081011.dwg

CW50-081012.dxf
 CW50-081012.dwg

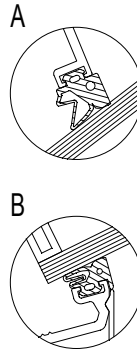


81



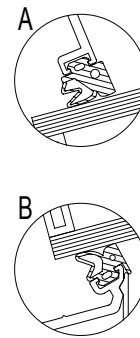
CW50-081016.dxf
 CW50-081016.dwg

MIN. 105°



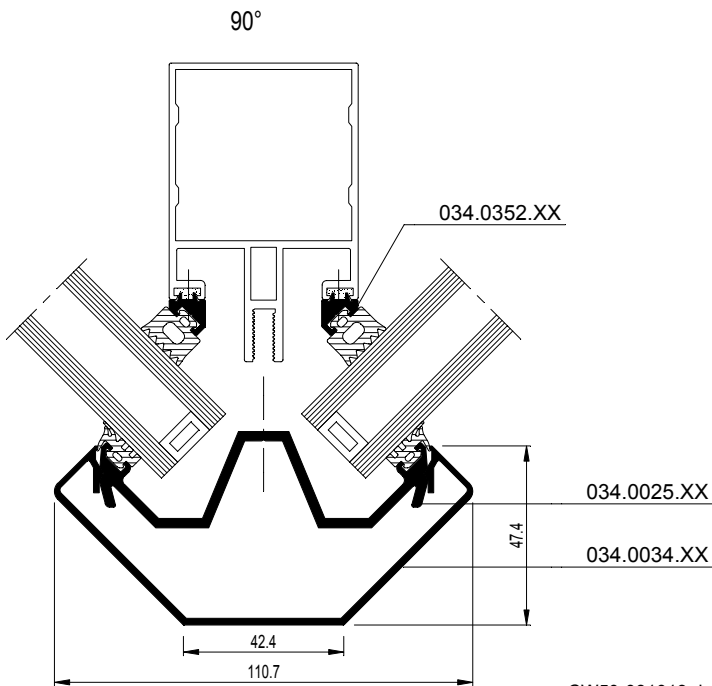
CW50-081017.dxf
 CW50-081017.dwg

MAX. 150°

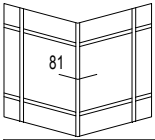


CW50-081018.dxf
 CW50-081018.dwg

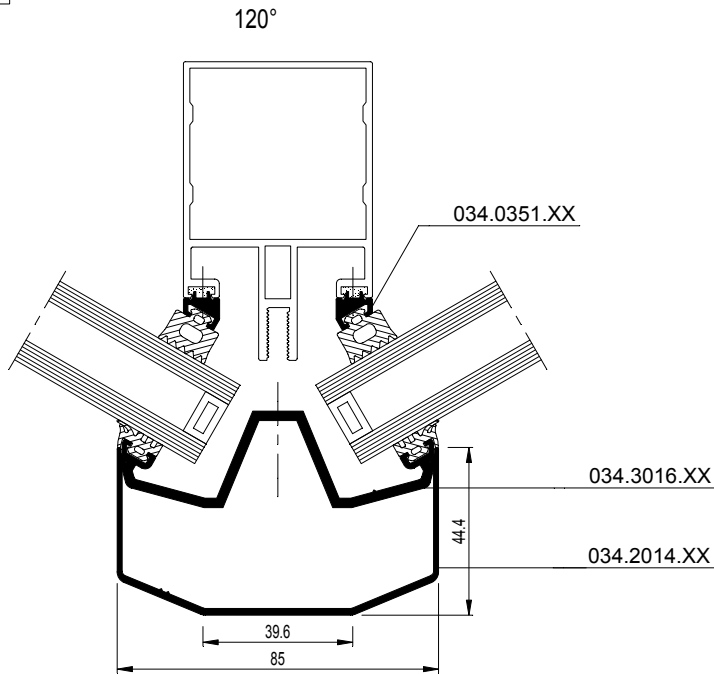
81



CW50-081013.dxf
 CW50-081013.dwg

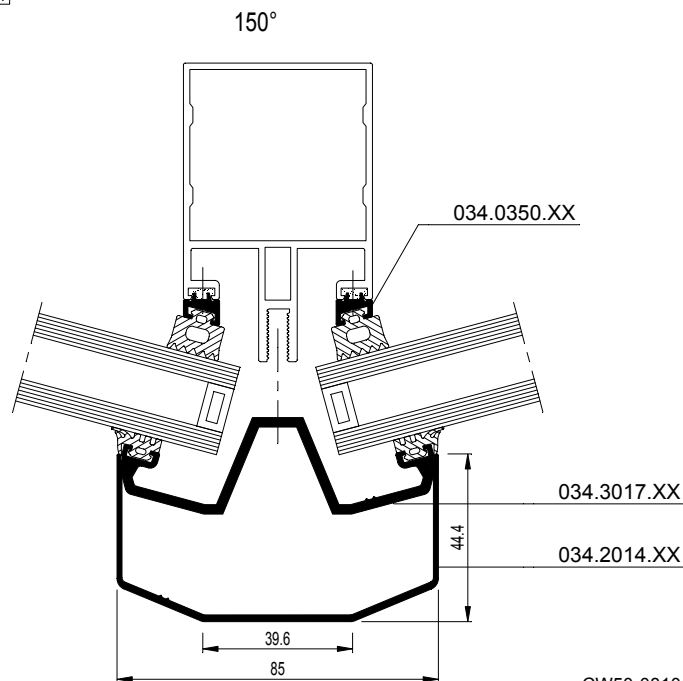


81

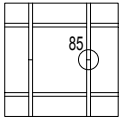


CW50-081014.dxf
CW50-081014.dwg

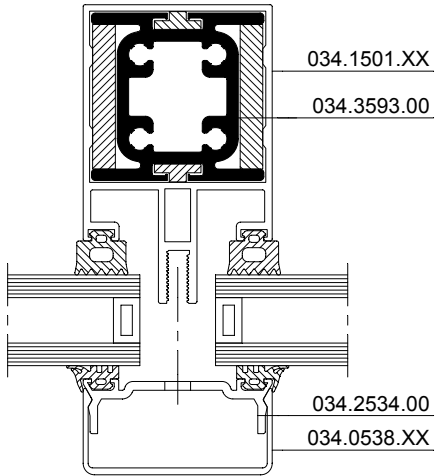
81



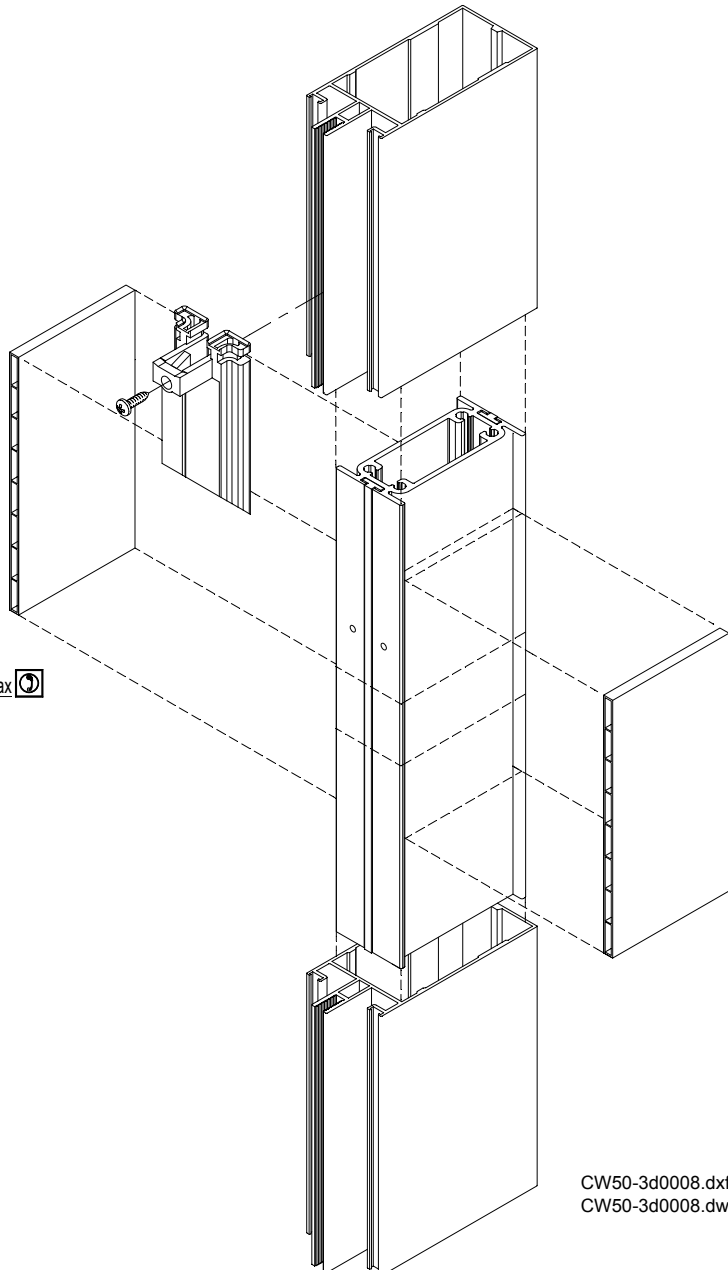
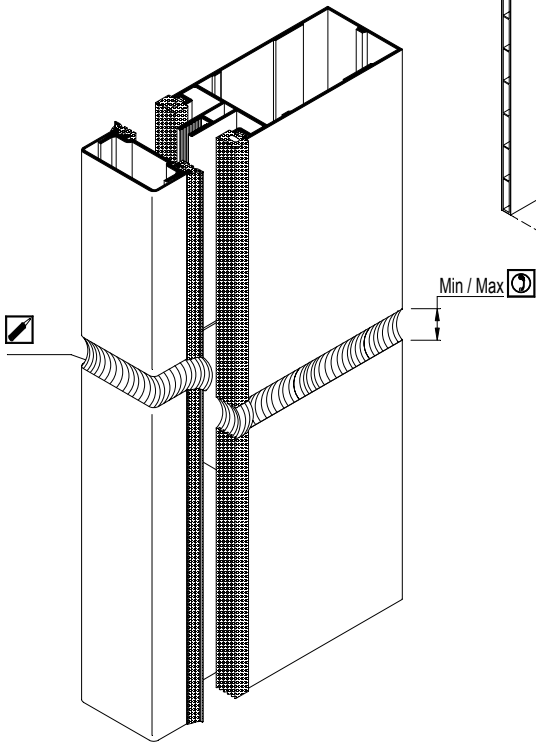
CW50-081015.dxf
CW50-081015.dwg



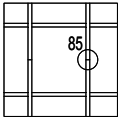
85



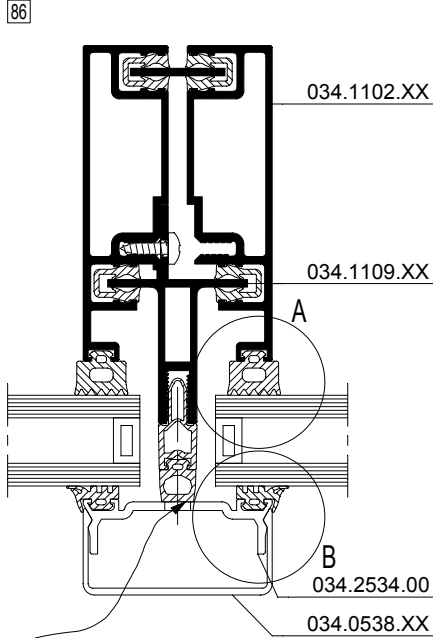
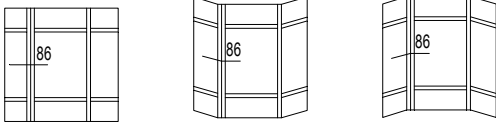
... .dxf
... .dwg



CW50-3d0008.dxf
CW50-3d0008.dwg

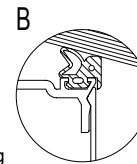
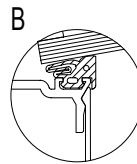
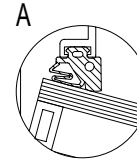
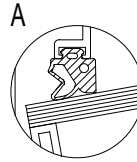


<p>034.3593.00</p> <p>CW50-085001.dxf CW50-085001.dwg</p> <p> 034.1501.XX</p>	<p>034.3594.00</p> <p>CW50-085002.dxf CW50-085002.dwg</p> <p> 034.1502.XX</p>	<p>034.3595.00</p> <p>CW50-085003.dxf CW50-085003.dwg</p> <p> 034.1503.XX</p> <p> 034.1504.XX</p>	<p>034.3596.00</p> <p>CW50-085004.dxf CW50-085004.dwg</p> <p> 034.1505.XX</p>
<p>034.3597.00</p> <p>CW50-085005.dxf CW50-085005.dwg</p> <p> 034.1506.XX</p>	<p>034.3598.00</p> <p>CW50-085006.dxf CW50-085006.dwg</p> <p> 034.1507.XX</p>	<p>034.4599.00</p> <p>CW50-085007.dxf CW50-085007.dwg</p> <p> 034.1508.XX</p>	<p>034.3585.00</p> <p>CW50-085007.dxf CW50-085007.dwg</p> <p> 034.1510.XX</p>



MIN. 160°

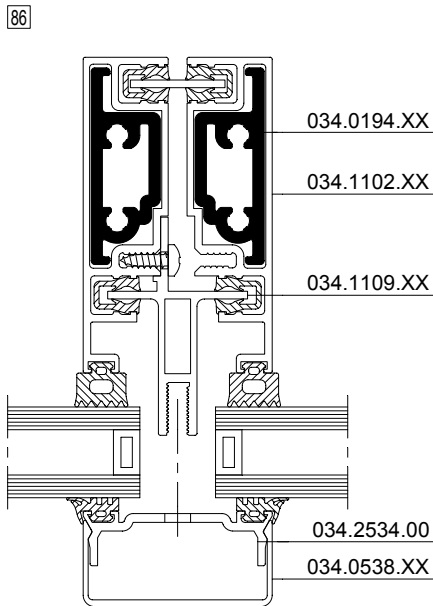
MAX. 210°



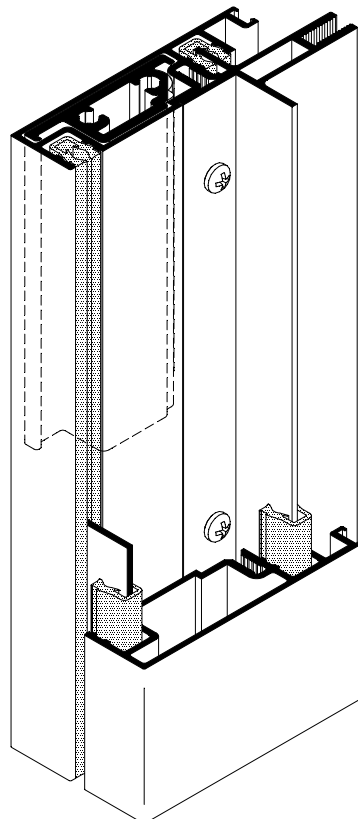
CW50-086010.dxf
 CW50-086010.dwg

CW50-086011.dxf
 CW50-086011.dwg

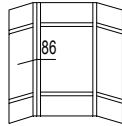
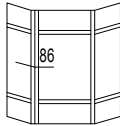
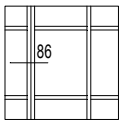
Variant
 Verticale compartimentering is optioneel CW50-086001.dxf
 Variante
 Compartimentation verticale est optionnelle CW50-086001.dwg
 Variant
 Vertical compartmentalisation is optional
 Variante
 Vertikale Kompartimentierung ist eine Option



... .dxf
dwg

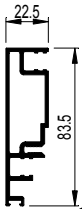


CW50-3d0007.dxf
 CW50-3d0007.dwg



034.1102.XX

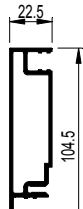
$I_x = 27.610 \text{ cm}^4$



CW50-086002.dxf
 CW50-086002.dwg

034.1103.XX

$I_x = 54.693 \text{ cm}^4$



CW50-086003.dxf
 CW50-086003.dwg

034.1105.XX

$I_x = 95.404 \text{ cm}^4$



CW50-086004.dxf
 CW50-086004.dwg

034.1106.XX

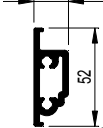
$I_x = 149.498 \text{ cm}^4$



CW50-086005.dxf
 CW50-086005.dwg

034.0194.00

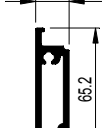
18.3



CW50-086006.dxf
 CW50-086006.dwg

034.0195.00

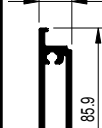
17.7



CW50-086007.dxf
 CW50-086007.dwg

034.0196.00

17.3



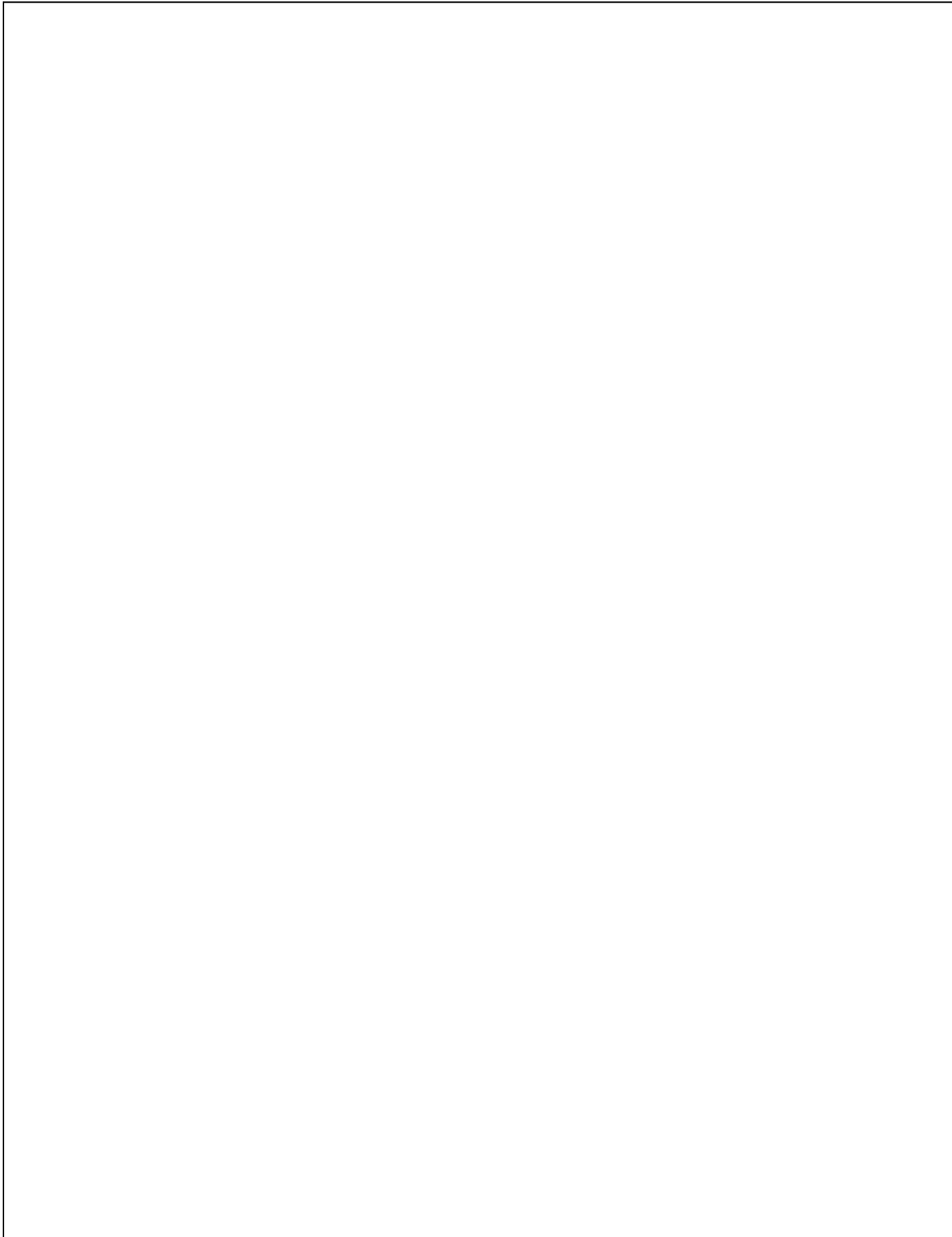
CW50-086008.dxf
 CW50-086008.dwg

034.0197.00

17.3



CW50-086009.dxf
 CW50-086009.dwg

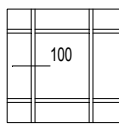


CW 50-HI

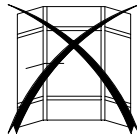
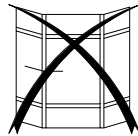


1 Structure interne

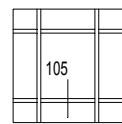
Structure interne verticale



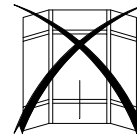
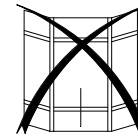
CW 50-HI - 150



Structure interne horizontale

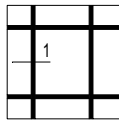


CW 50-HI - 153

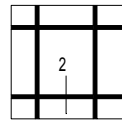


2 Esthétique extérieure

Serreur et capot - extérieur



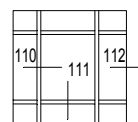
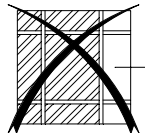
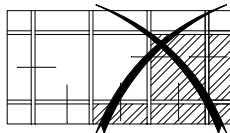
CW 50 - 020



CW 50 - 025

3 Éléments fixes

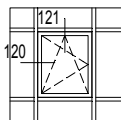
Panneaux fixes



CW 50-HI - 157

4 Éléments ouvrants

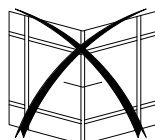
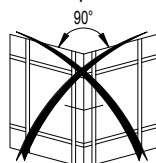
Fenêtres



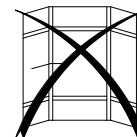
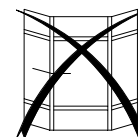
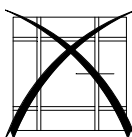
CW 50-HI - 165

5 Raccordements

Esthétique extérieure

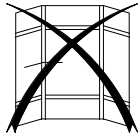
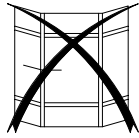
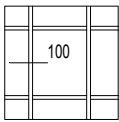


Dilatation

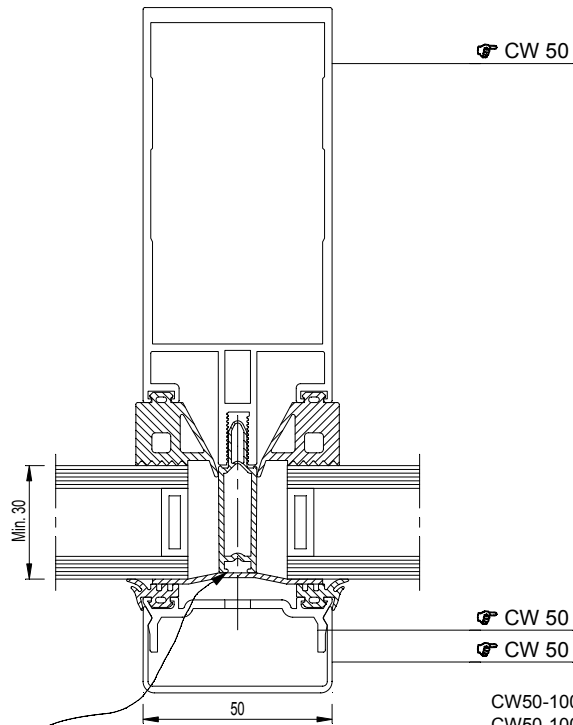


CW 50-HI

Interne structuur - Verticale interne structuur
 Structure interne - Structure interne verticale
 Internal structure - Vertical internal structure
 Interne Struktur - Senkrechte interne Struktur

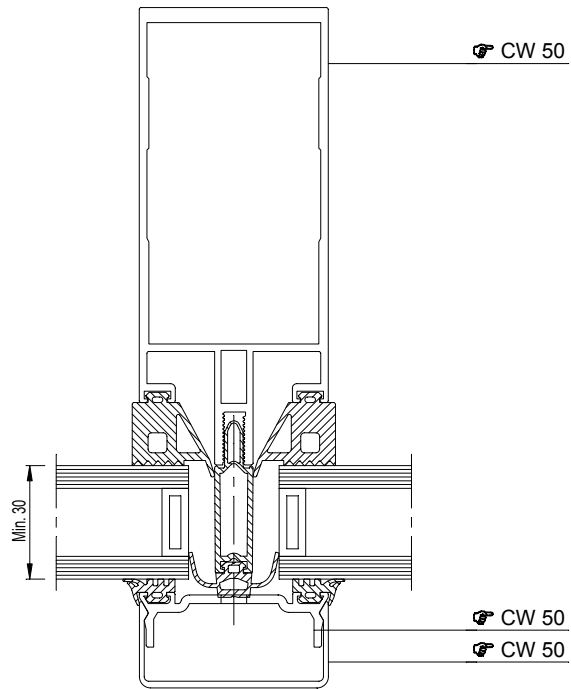


100



CW50-100001.dxf
 CW50-100001.dwg

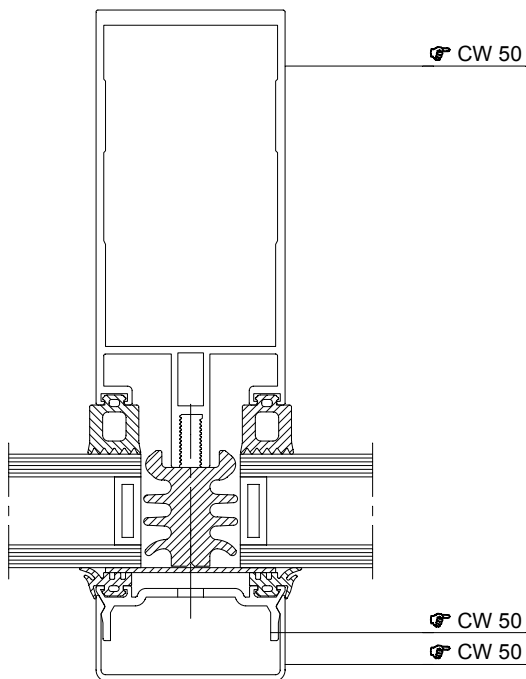
100a



CW50-100002.dxf
 CW50-100002.dwg

Verticale compartimentering is verplicht
 Compartimentation verticale est obligatoire
 Vertical compartmentalisation is obligatory
 Vertikale Kompartimentierung ist verpflichtet

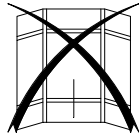
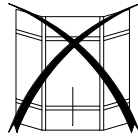
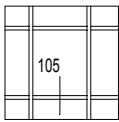
100b



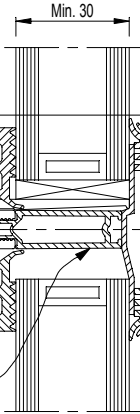
CW50-100003.dxf
 CW50-100003.dwg

CW 50-HI

Interne structuur - Horizontale interne structuur
 Structure interne - Structure interne horizontale
 Internal structure - Horizontal internal structure
 Interne Struktur - Horizontale interne Struktur



105



☞ CW 50

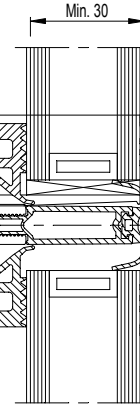
☞ CW 50

☞ CW 50

CW50-056001.dxf
 CW50-056001.dwg

Horizontale compartimentering is verplicht
 Compartimentation horizontale est obligatoire
 Horizontal compartmentalisation is obligatory
 Horizontale Kompartimentierung ist verpflichtet

105a



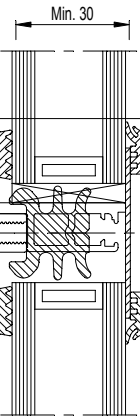
☞ CW 50

☞ CW 50

☞ CW 50

CW50-105002.dxf
 CW50-105002.dwg

105b



☞ CW 50

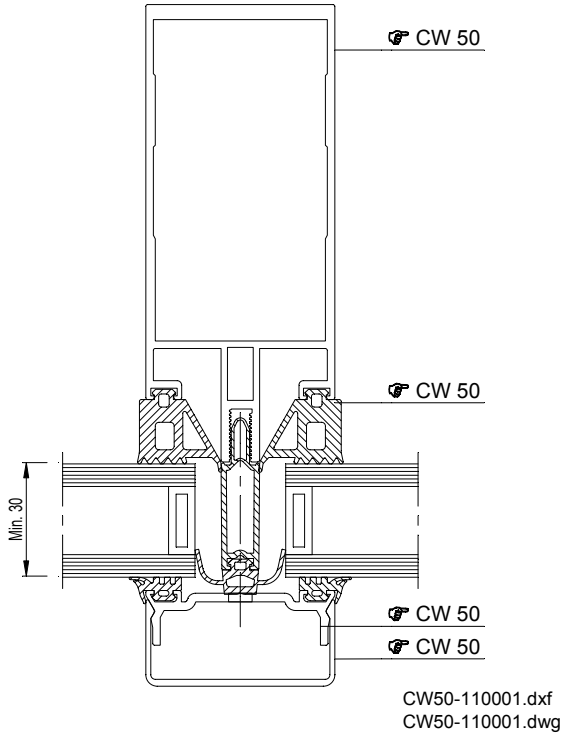
☞ CW 50

☞ CW 50

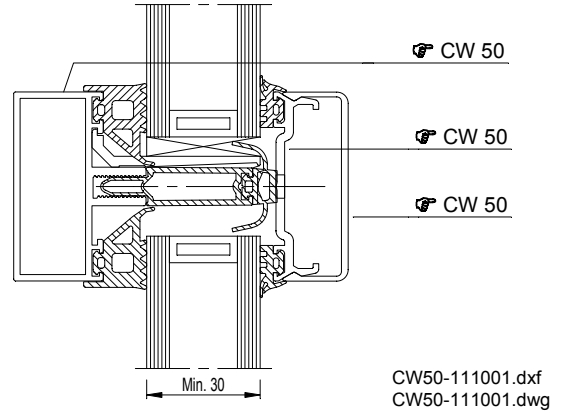
CW50-105003.dxf
 CW50-105003.dwg

110	111	112

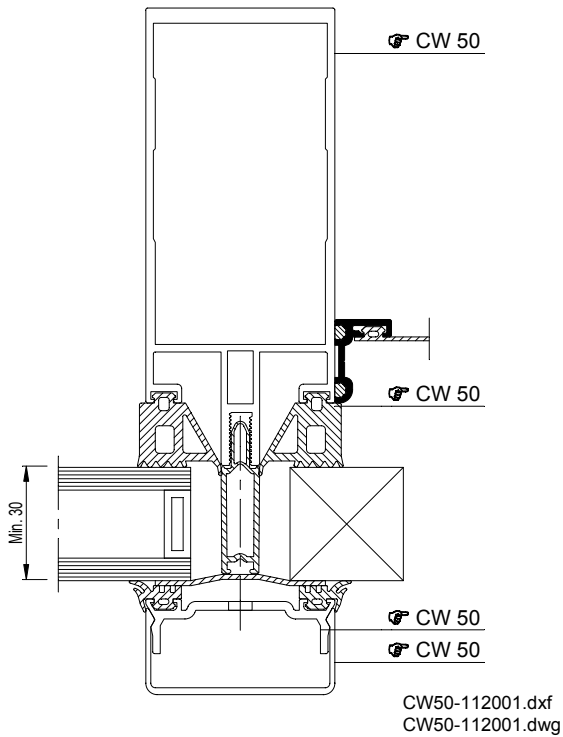
110

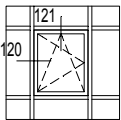


111



112



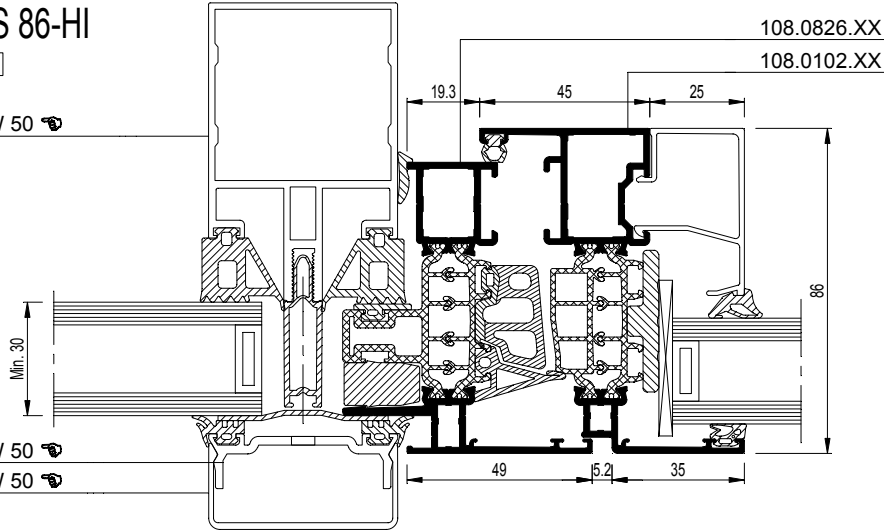


CS 86-HI

120

CW 50

CW 50
 CW 50

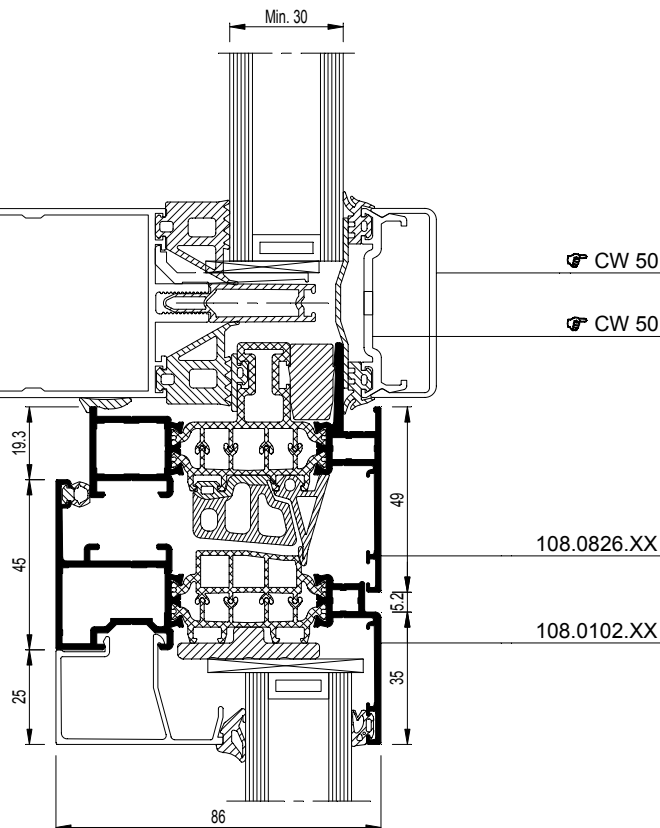


121

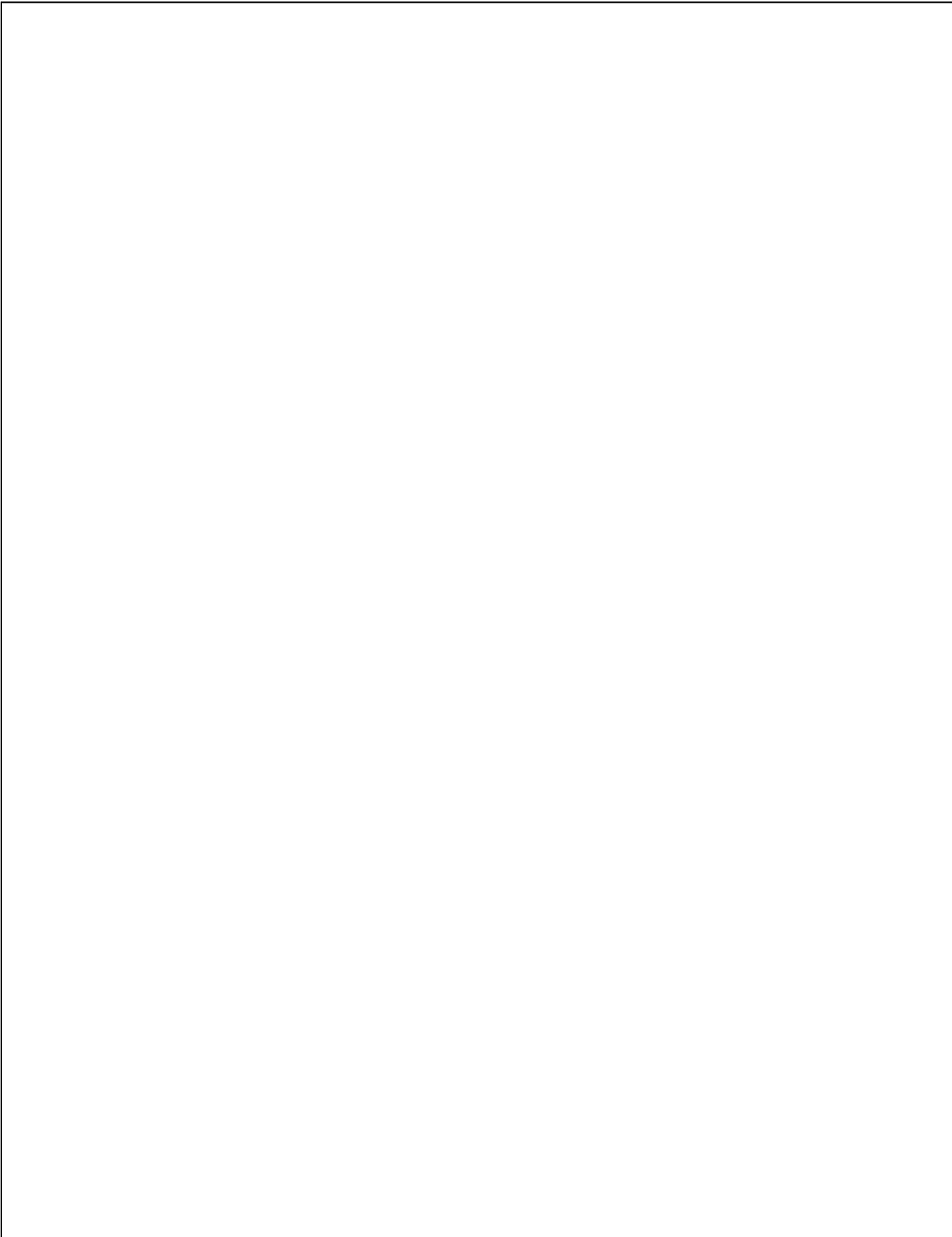
CW 50

CW 50

CW 50



	120	121
CS 86-HI	CW50-120001.dxf CW50-120001.dwg	CW50-121001.dxf CW50-121001.dwg

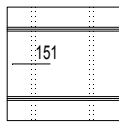


CW 50 Horizontal Lining

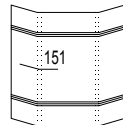


1 Structure interne

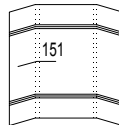
Structure interne verticale



CW 50-HL - 170

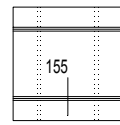


CW 50-HL - 170

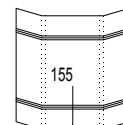


CW 50-HL - 170

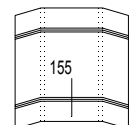
Structure interne horizontale



CW 50-HL - 175



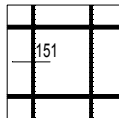
CW 50-HL - 175



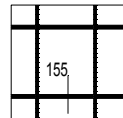
CW 50-HL - 175

2 Esthétique extérieure

Serreur et capot - extérieur



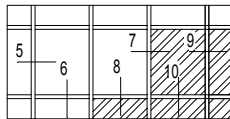
CW 50-HL - 180



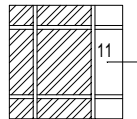
CW 50-HL - 180

3 Éléments fixes CW 50

Panneaux fixes



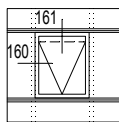
CW 50 - 034



CW 50 - 037

4 Éléments ouvrants

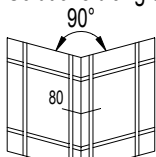
Fenêtres avec ouvrants VEC



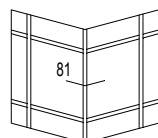
CW 50-HL - 183

5 Raccordements CW 50

Solutions d'angle

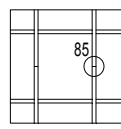


CW 50 - 090

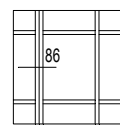


CW 50 - 091

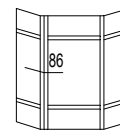
Dilatation



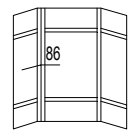
CW 50 - 098



CW 50 - 100



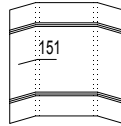
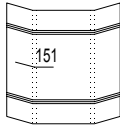
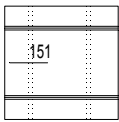
CW 50 - 100



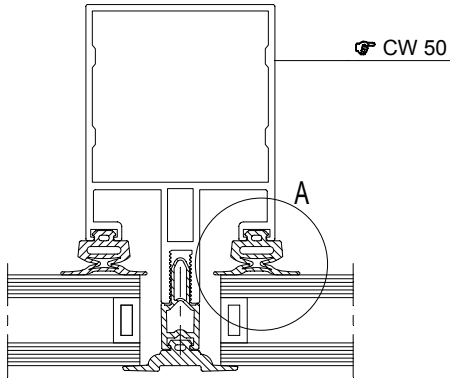
CW 50 - 100

CW 50-HL

Interne structuur - Verticale interne structuur
Structure interne - Structure interne verticale
Internal structure - Vertical internal structure
Interne Struktur - Senkrechte interne Struktur



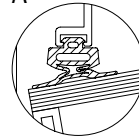
151



CW50-151001.dxf
CW50-151001.dwg

MIN. 160°

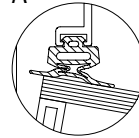
A



CW50-151002.dxf
CW50-151002.dwg

MIN. 200°

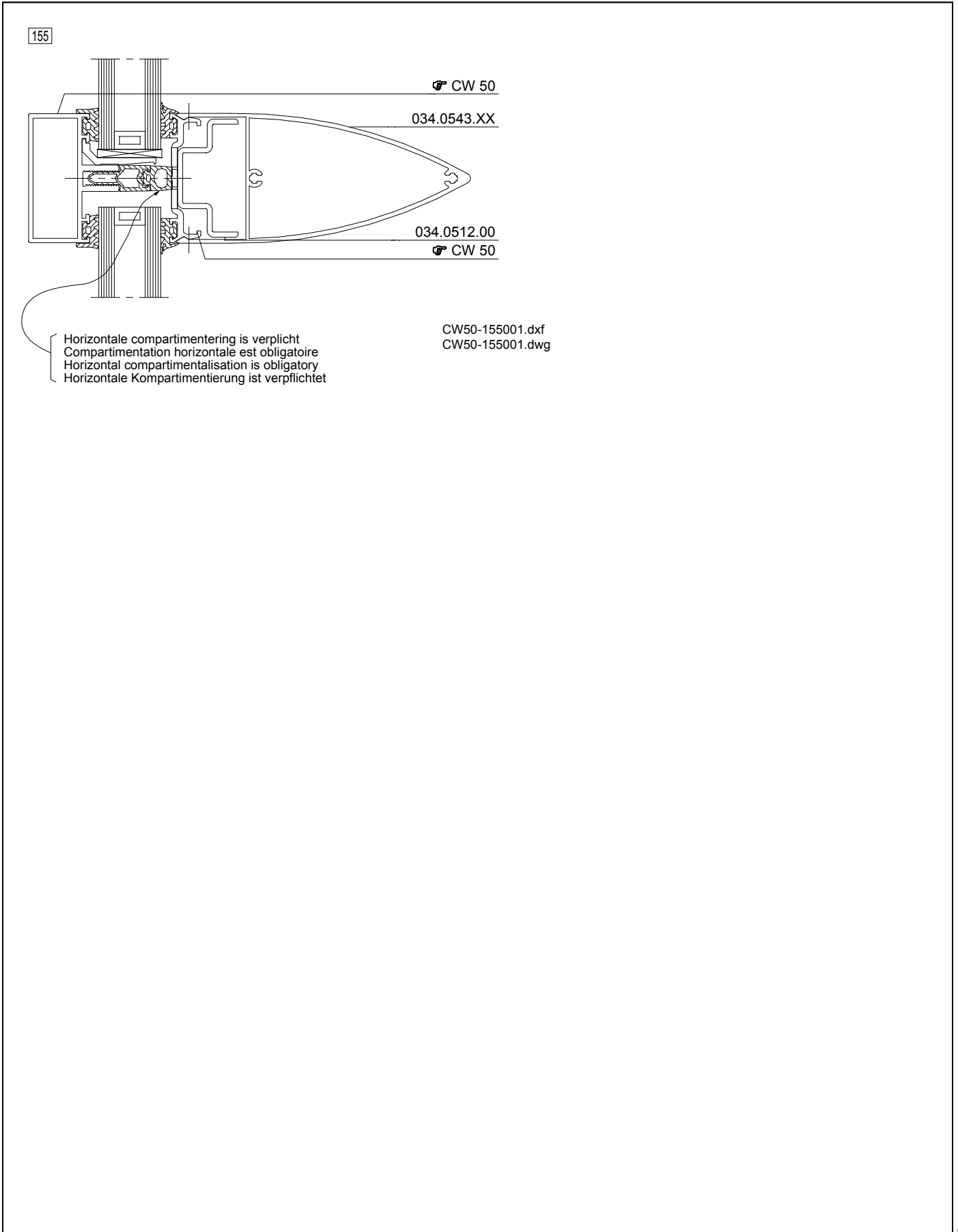
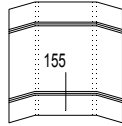
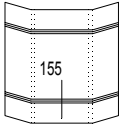
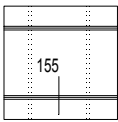
A



CW50-151003.dxf
CW50-151003.dwg

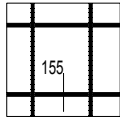
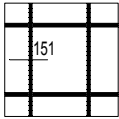
CW 50-HL

Internal structure - Horizontale interne structuur
Structure interne - Structure interne horizontale
Internal structure - Horizontal internal structure
Interne Struktur - Horizontale interne Struktur

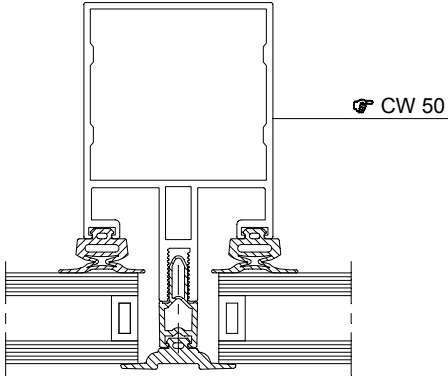


CW 50-HL

Esthetiek - buiten - Klemprofiel en afdekprofiel - buiten
Esthétique extérieure - Serreur et capot - extérieur
External aesthetics - External pressure plate and face cap
Ästhetik - außen - Glashalteprofil und Abdeckprofil - außen

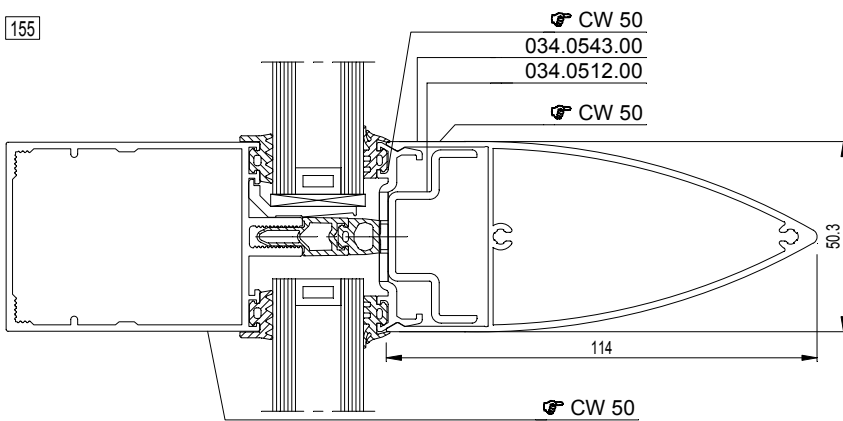


151



CW50-151001.dxf
CW50-151001.dwg

155

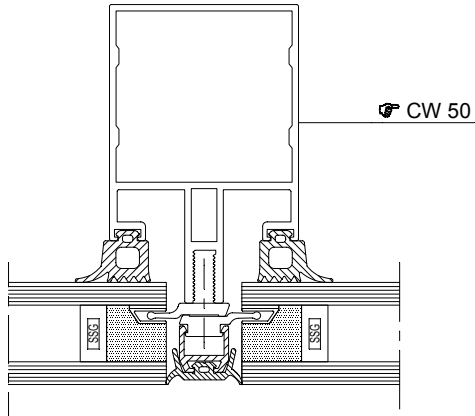


CW50-155002.dxf
CW50-155002.dwg



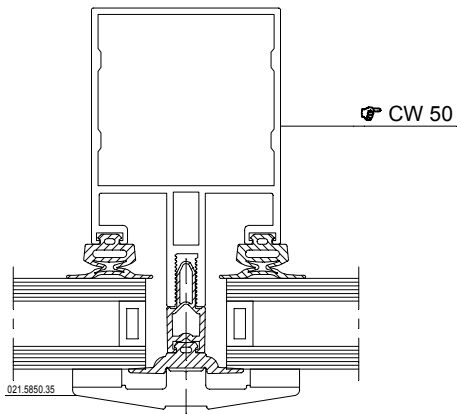
	151	

151

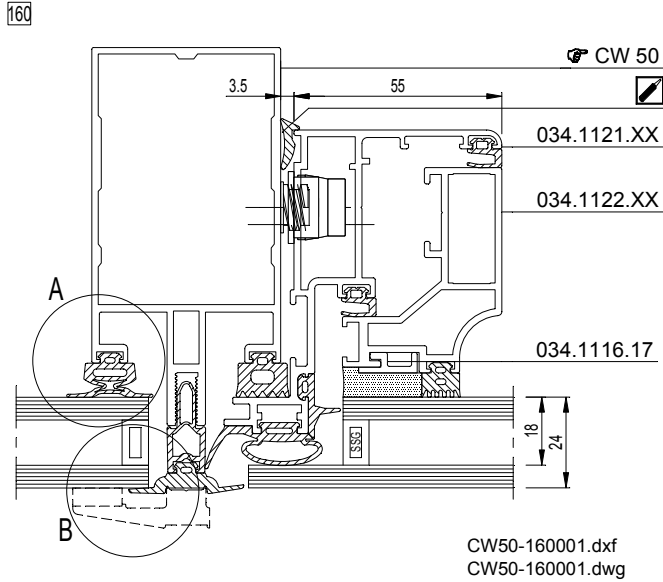
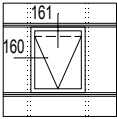


CW50-151003.dxf
CW50-151003.dwg

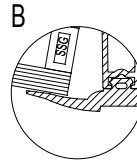
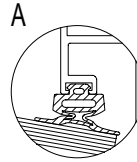
151



CW50-151004.dxf
CW50-151004.dwg

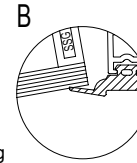
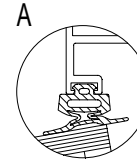


MIN. 170°

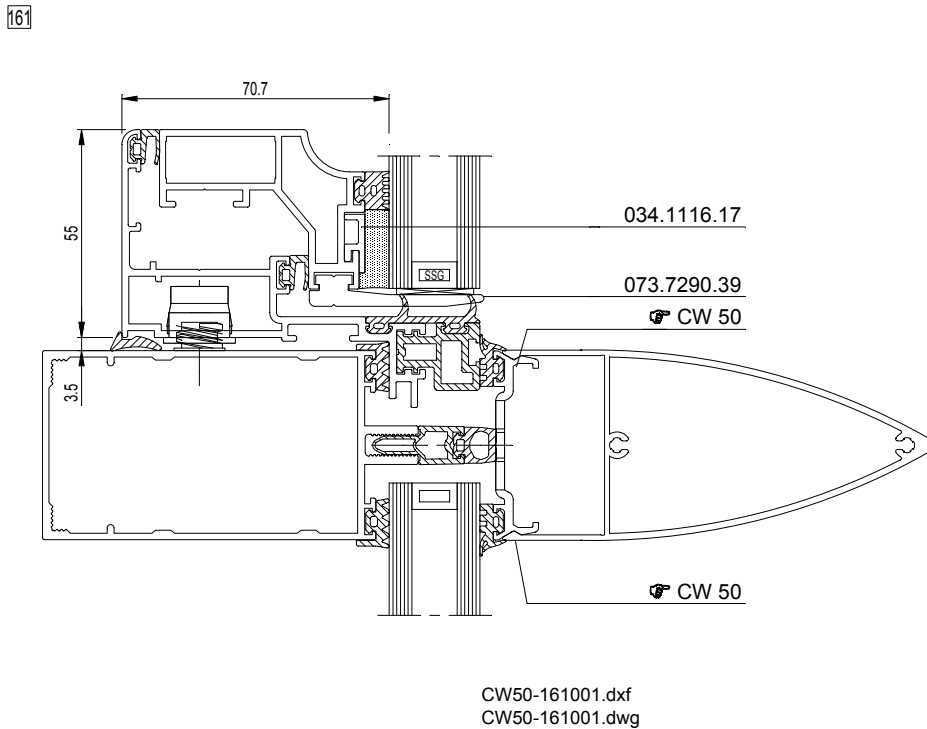


CW50-160002.dxf
 CW50-160002.dwg

MIN. 190°

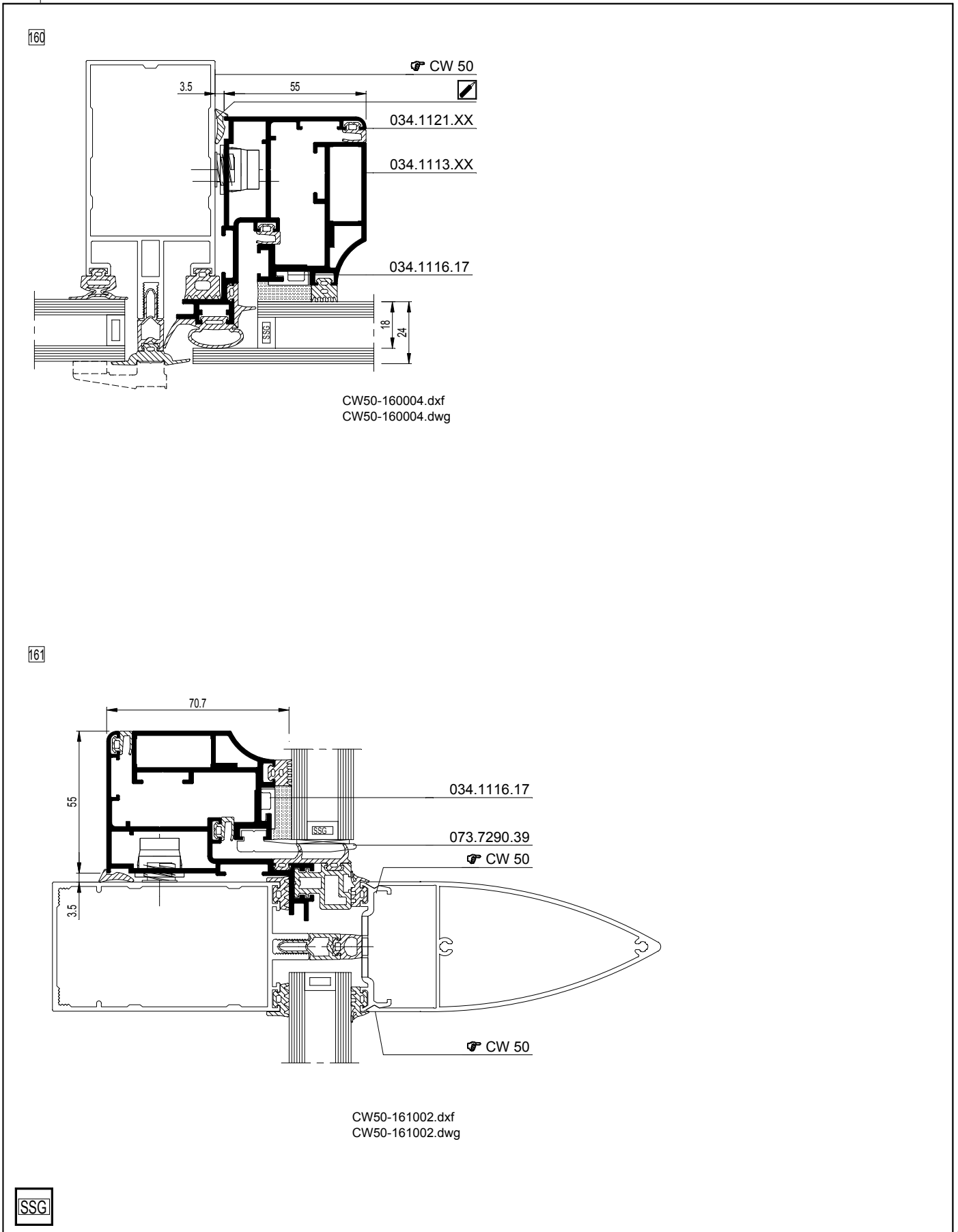
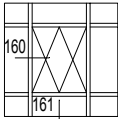


CW50-160003.dxf
 CW50-160003.dwg



CW 50-HL

Opengaande elementen - Ramen met structurele vleugels
Éléments ouvrants - Fenêtres avec ouvrants VEC
Opening elements - Windows with structural vent
Öffnende Elemente - Fenster mit strukturellen Flügeln

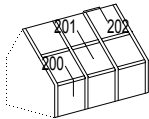


CW 50 Roof Application

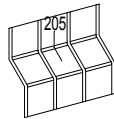


1 Raccordements

Eléments fixes

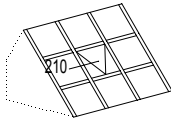


CW 50-RA - 202

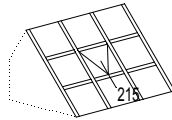


CW 50-RA - 204

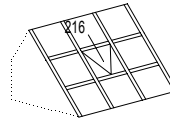
Eléments ouvrants



CW 50-RA - 207



CW 50-RA - 208

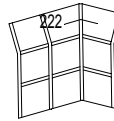


CW 50-RA - 208

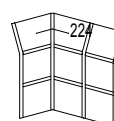
Solutions d'angle



CW 50-RA - 210



CW 50-RA - 210



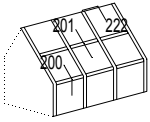
CW 50-RA - 212



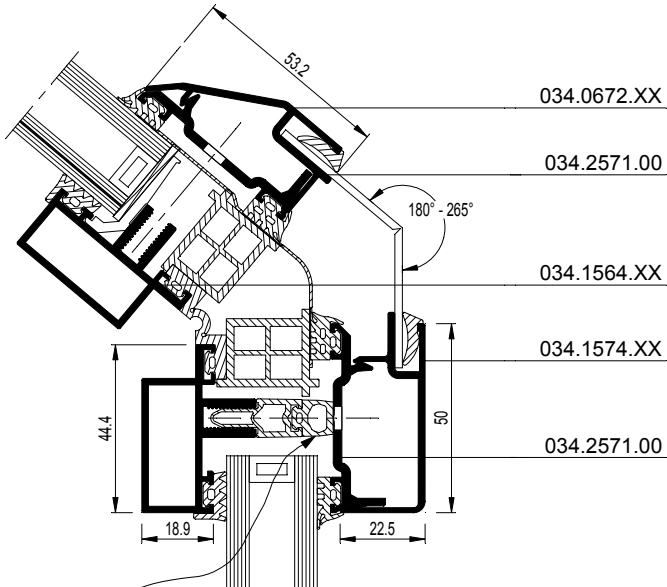
CW 50-RA - 212



CW 50-RA - 213



200



034.0672.XX

034.2571.00

034.1564.XX

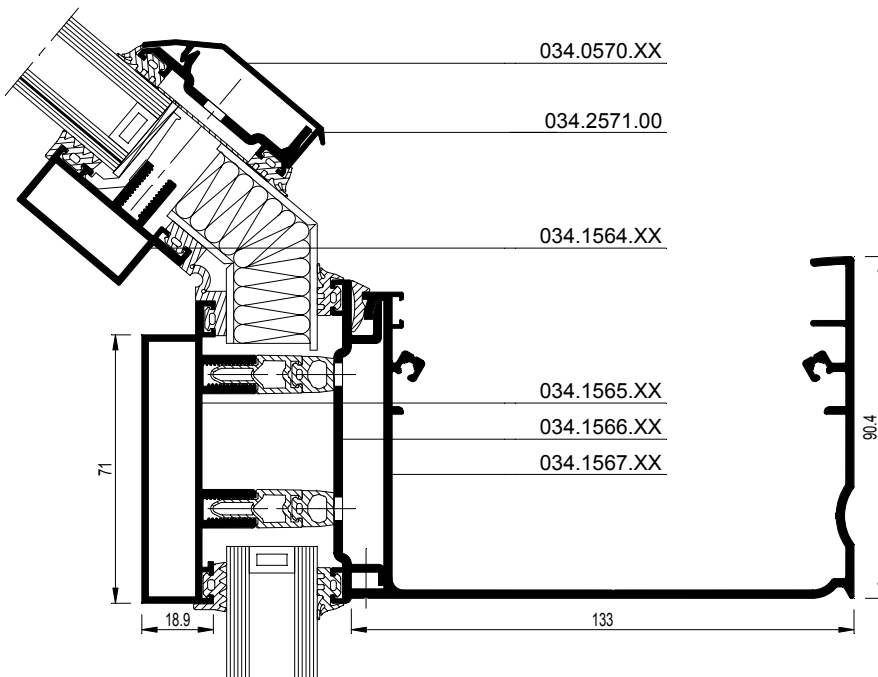
034.1574.XX

034.2571.00

CW50-200001.dxf
 CW50-200001.dwg

Horizontale compartimentering is verplicht
 Compartimentation horizontale est obligatoire
 Horizontal compartmentalisation is obligatory
 Horizontale Kompartimentierung ist verpflichtet

200



034.0570.XX

034.2571.00

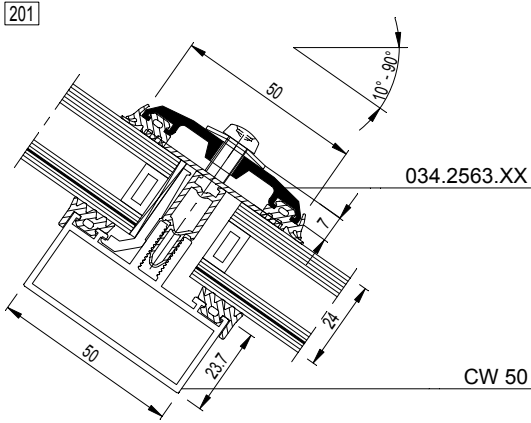
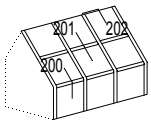
034.1564.XX

034.1565.XX

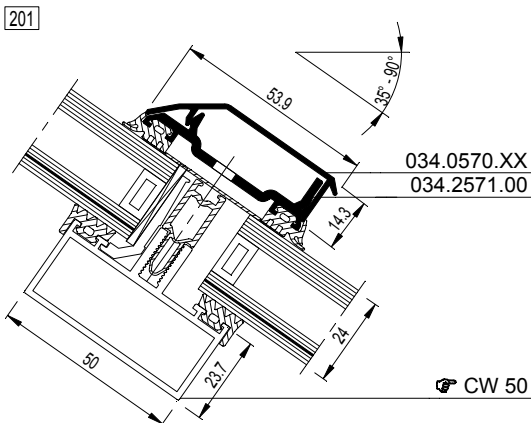
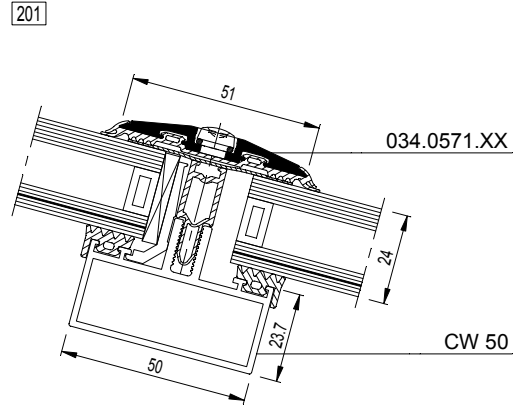
034.1566.XX

034.1567.XX

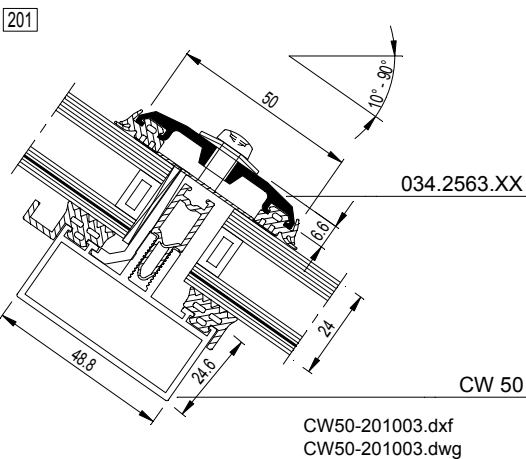
CW50-200002.dxf
 CW50-200002.dwg



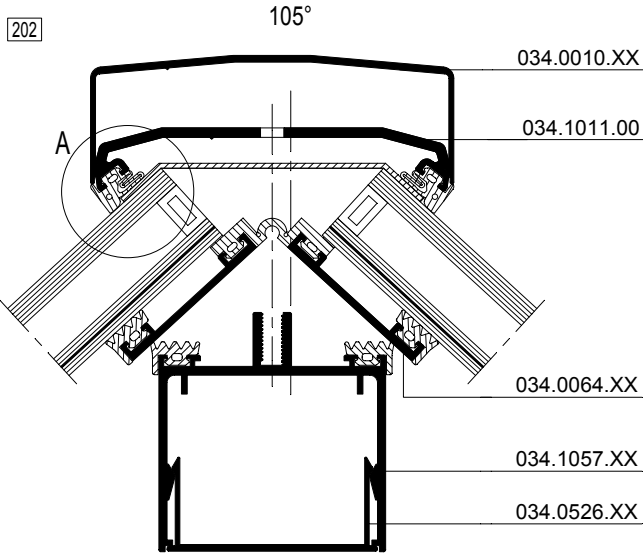
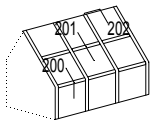
CW50-201001.dxf
 CW50-201001.dwg



CW50-201002.dxf
 CW50-201002.dwg

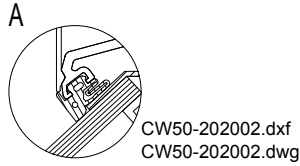


CW50-201003.dxf
 CW50-201003.dwg

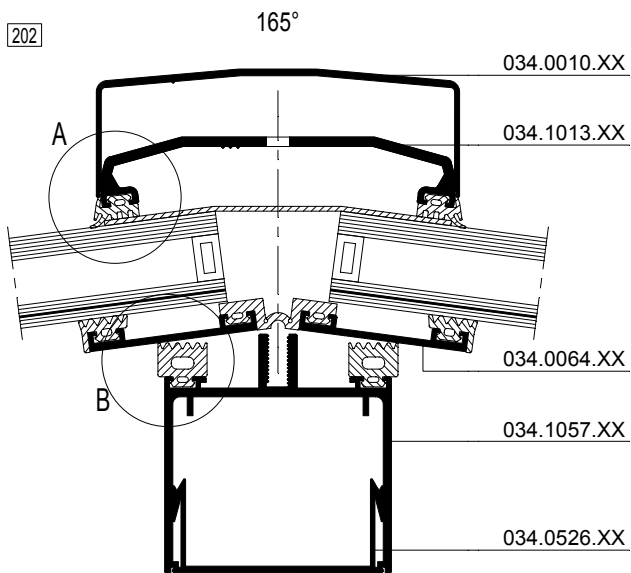
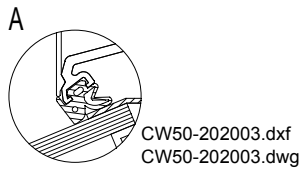


☞dxf
dwg

MIN. 95°

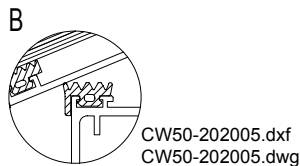
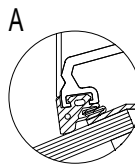


MIN. 135°

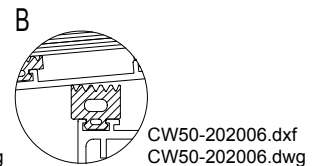
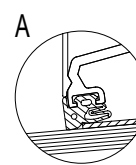


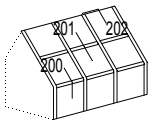
CW50-202004.dxf
 CW50-202004.dwg

MIN. 135°

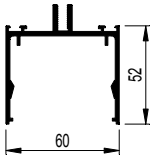


MIN. 170°



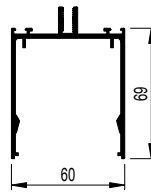


034.1057.XX

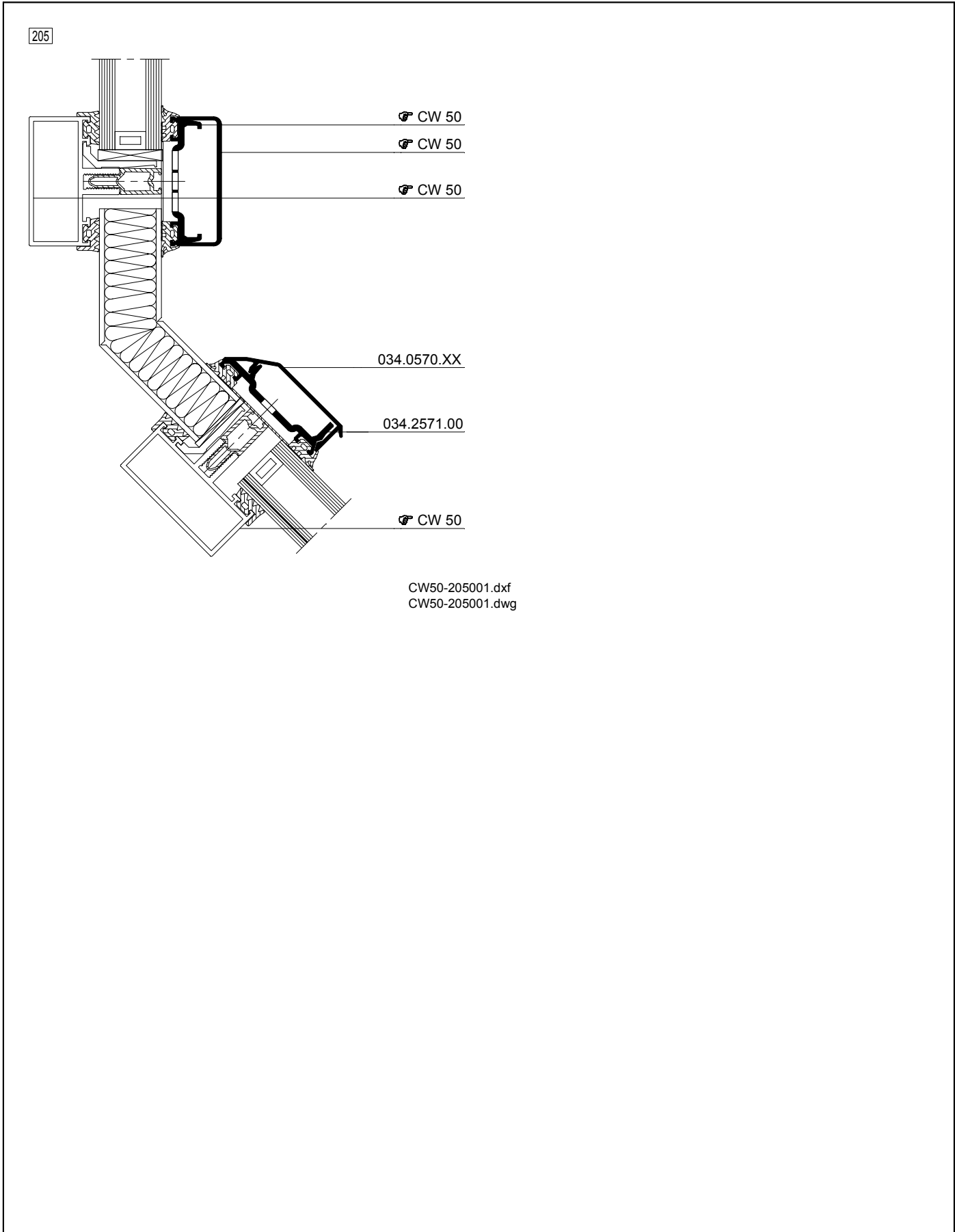
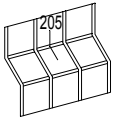


CW50-202001.dxf
CW50-202001.dwg

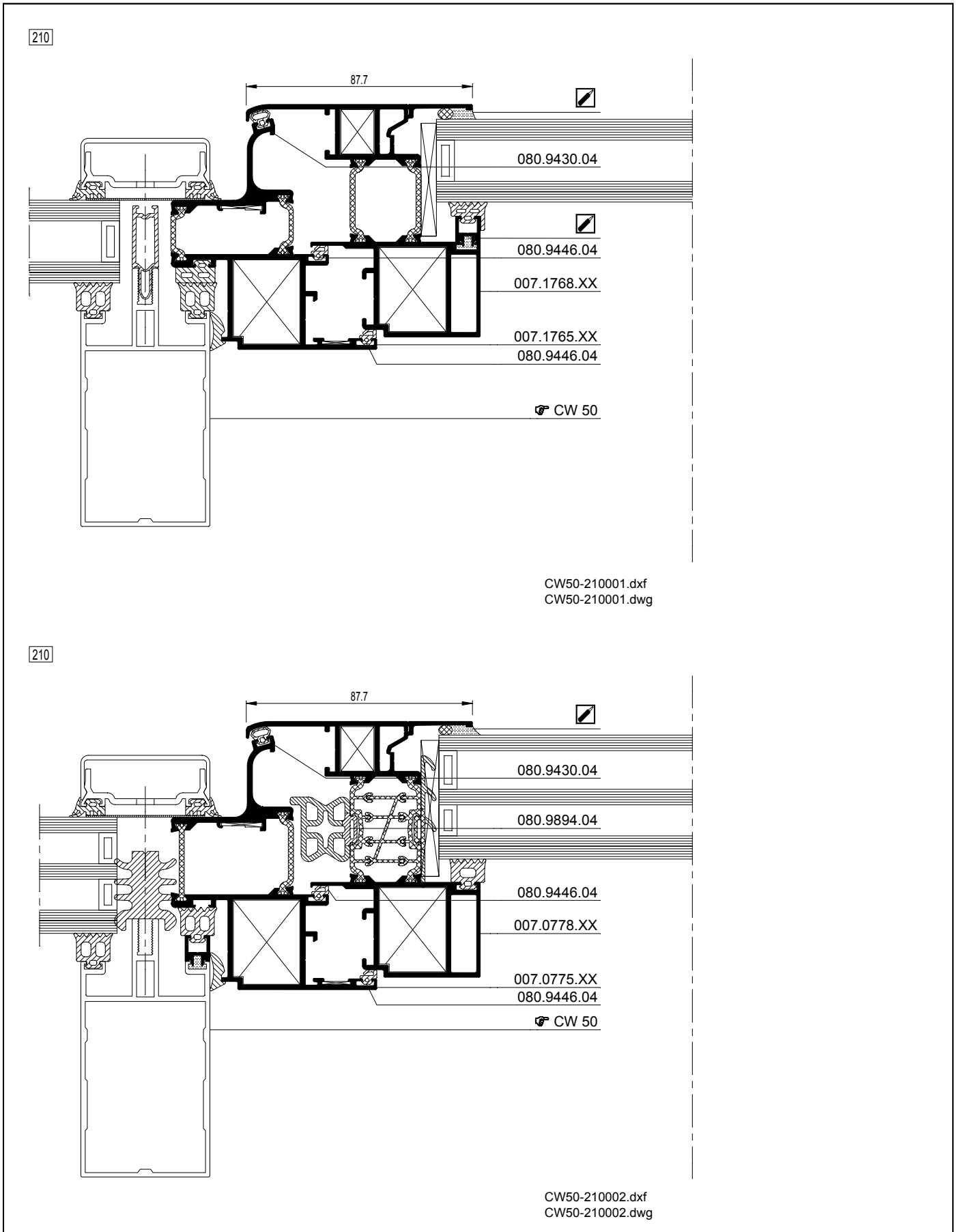
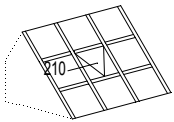
034.1058.XX

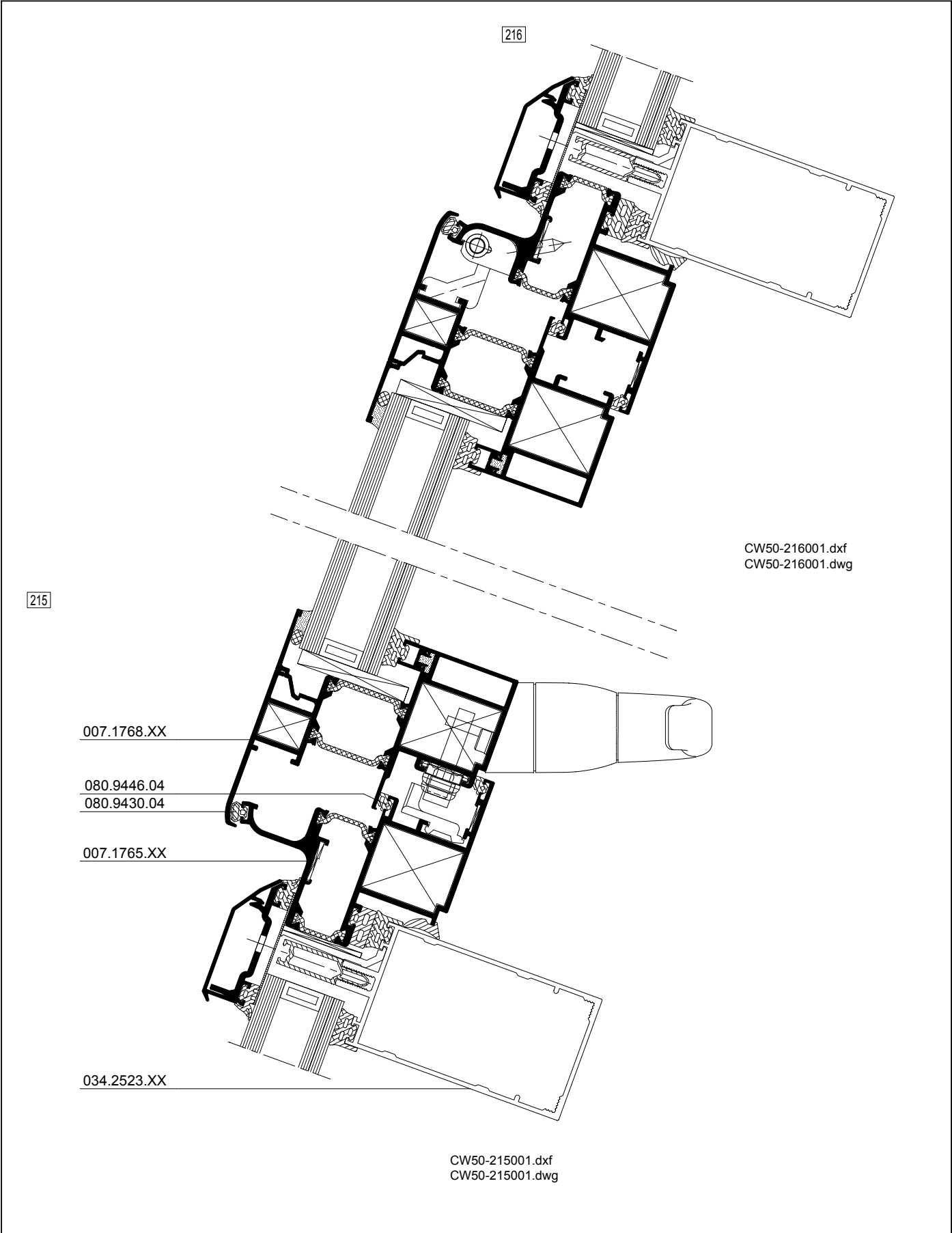
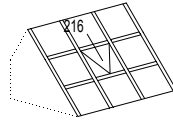
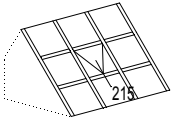


CW50-202007.dxf
CW50-202007.dwg



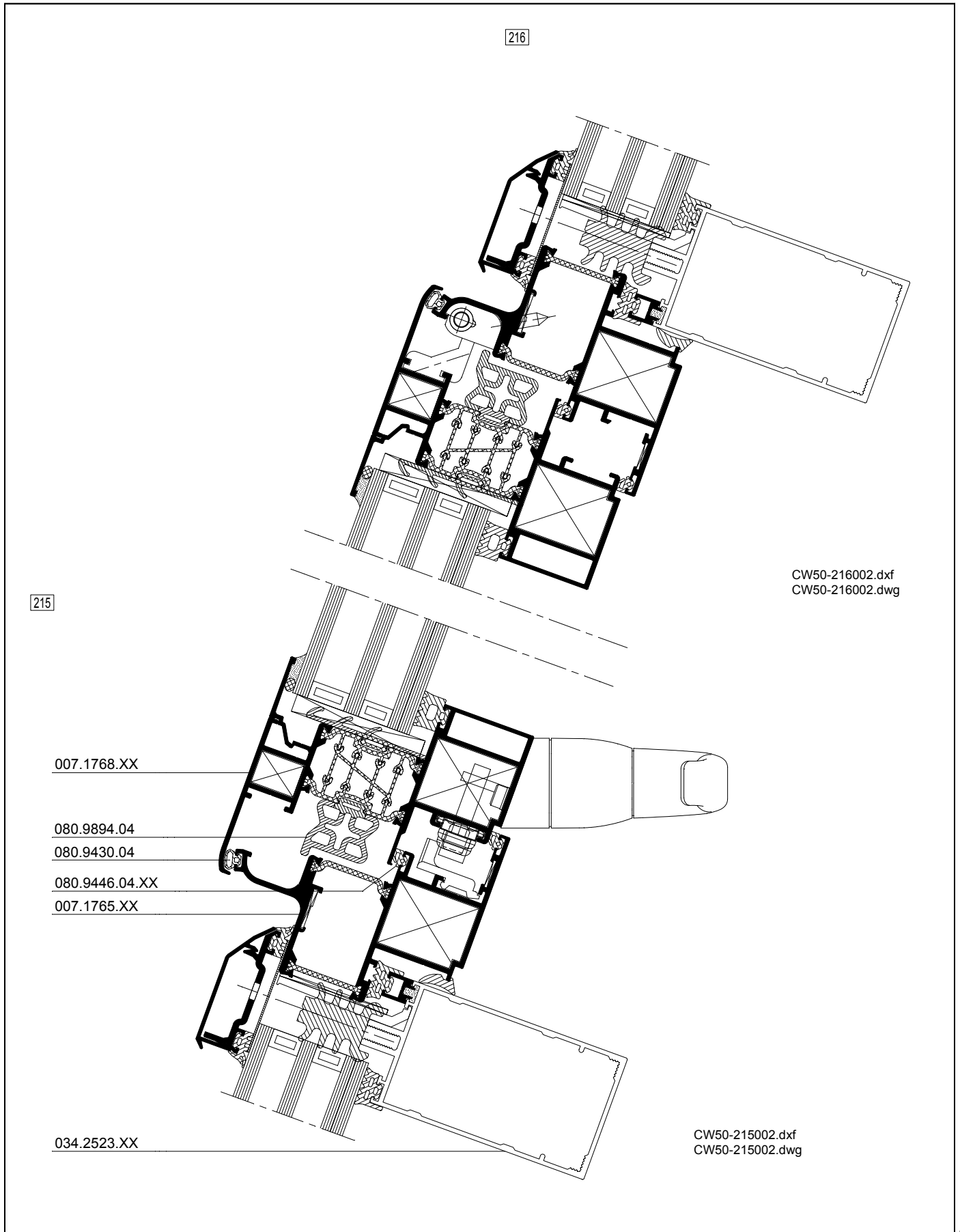
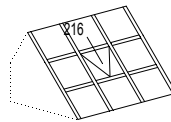
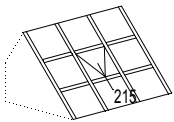
CW50-205001.dxf
CW50-205001.dwg

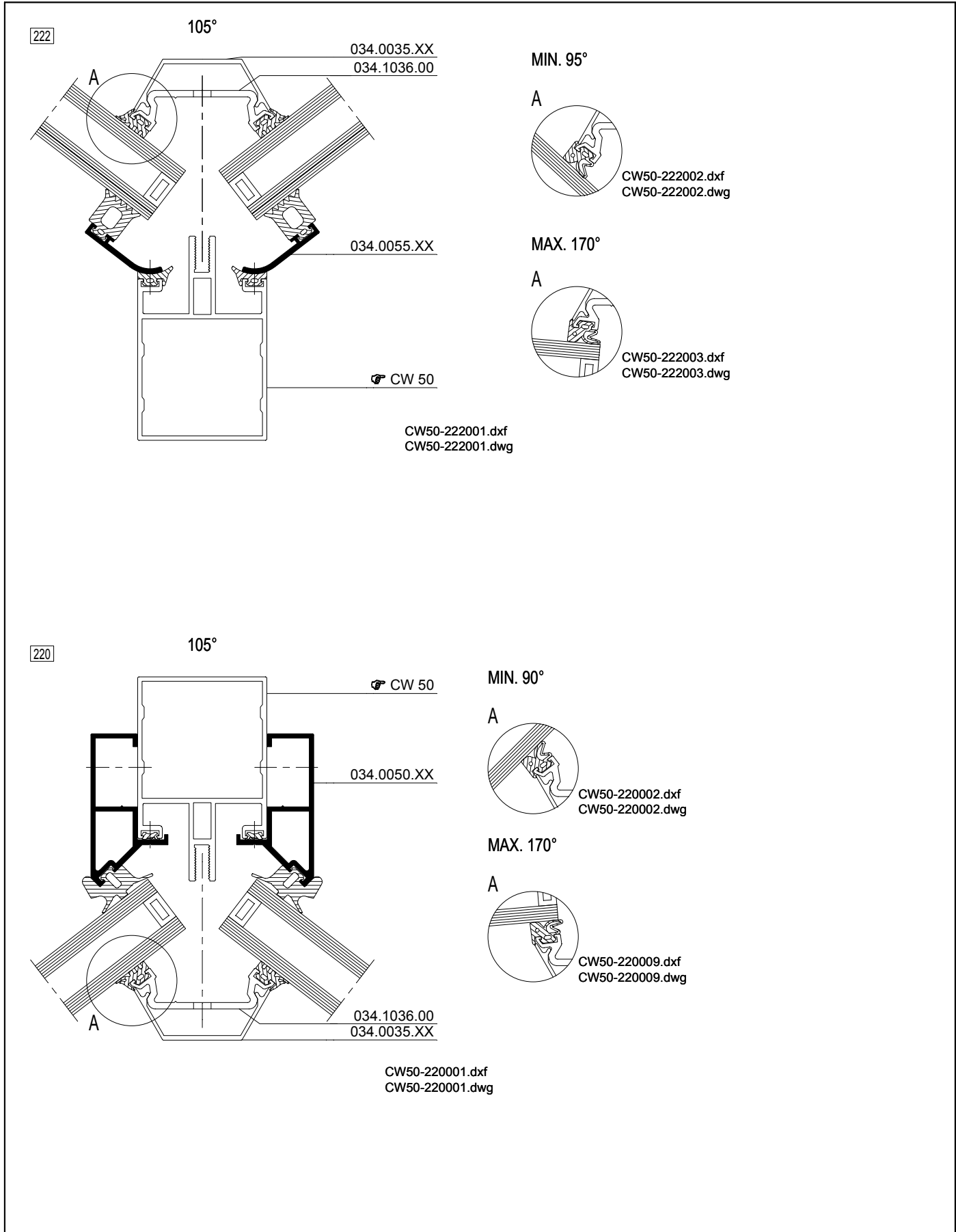
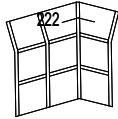
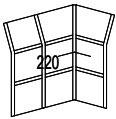


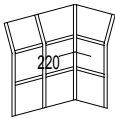


CW50-216001.dxf
CW50-216001.dwg

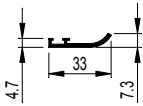
CW50-215001.dxf
CW50-215001.dwg







034.0055.XX



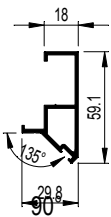
95°

CW50-222002.dxf
 CW50-222002.dwg

170°

CW50-222003.dxf
 CW50-222003.dwg

034.0050.XX

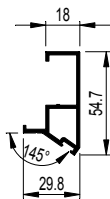


110°

CW50-220002.dxf
 CW50-220002.dwg

CW50-220003.dxf
 CW50-220003.dwg

034.0051.XX



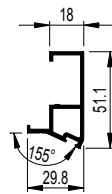
110°

CW50-220004.dxf
 CW50-220004.dwg

130°

CW50-220005.dxf
 CW50-220005.dwg

034.0052.XX



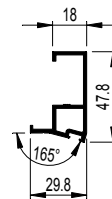
130°

CW50-220006.dxf
 CW50-220006.dwg

150°

CW50-220007.dxf
 CW50-220007.dwg

034.0053.XX

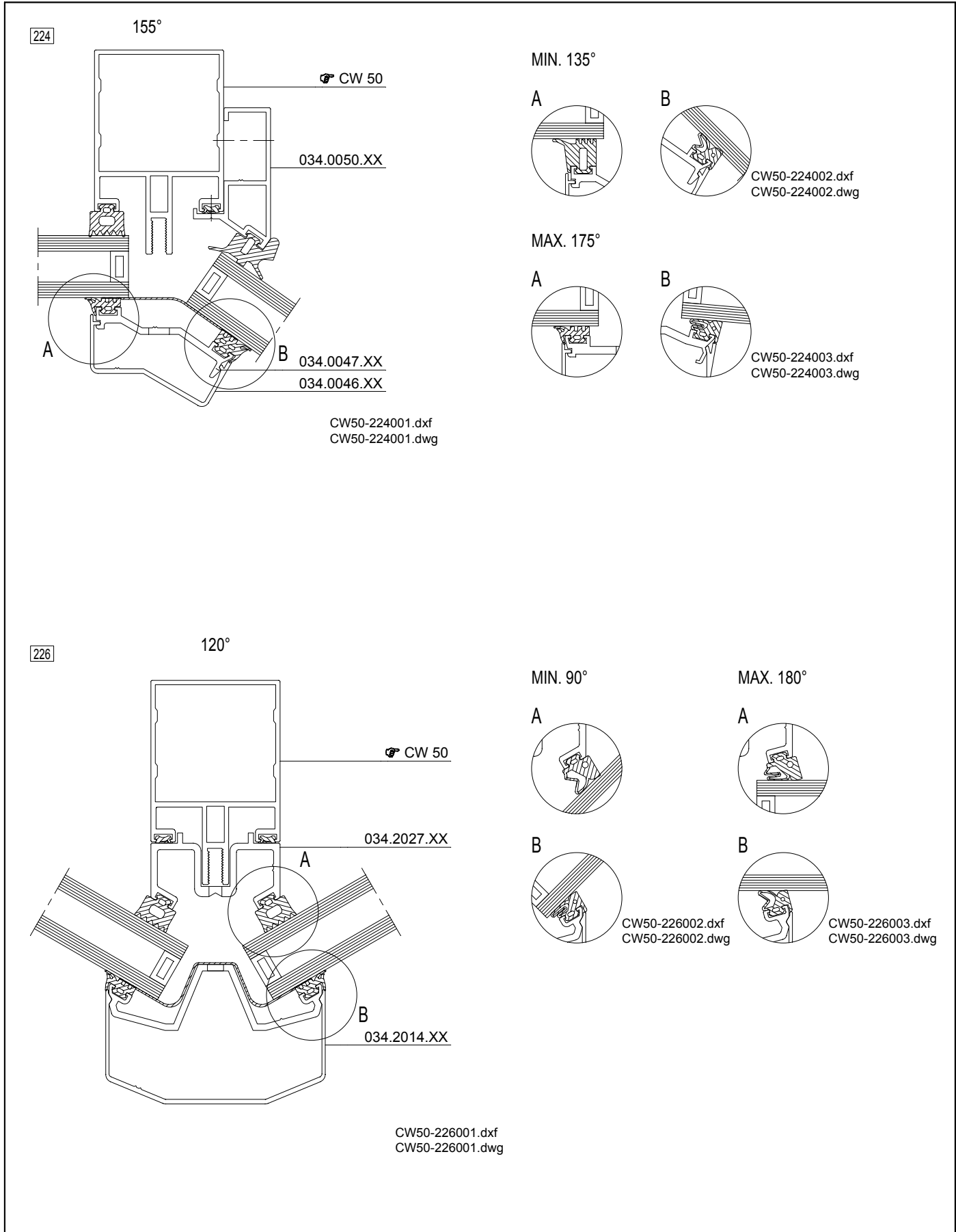
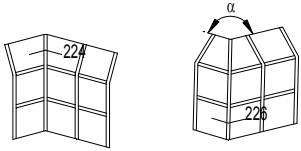


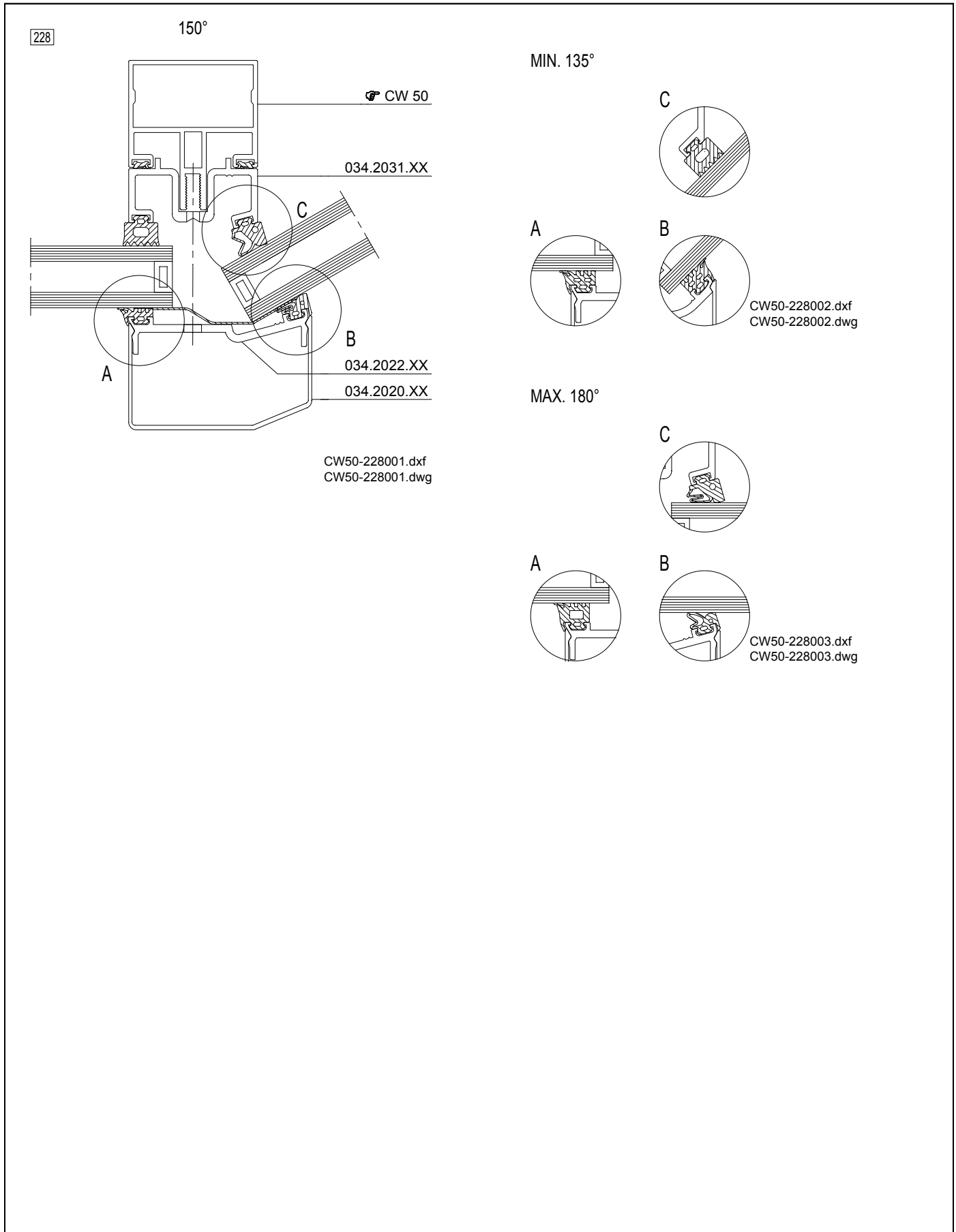
150°

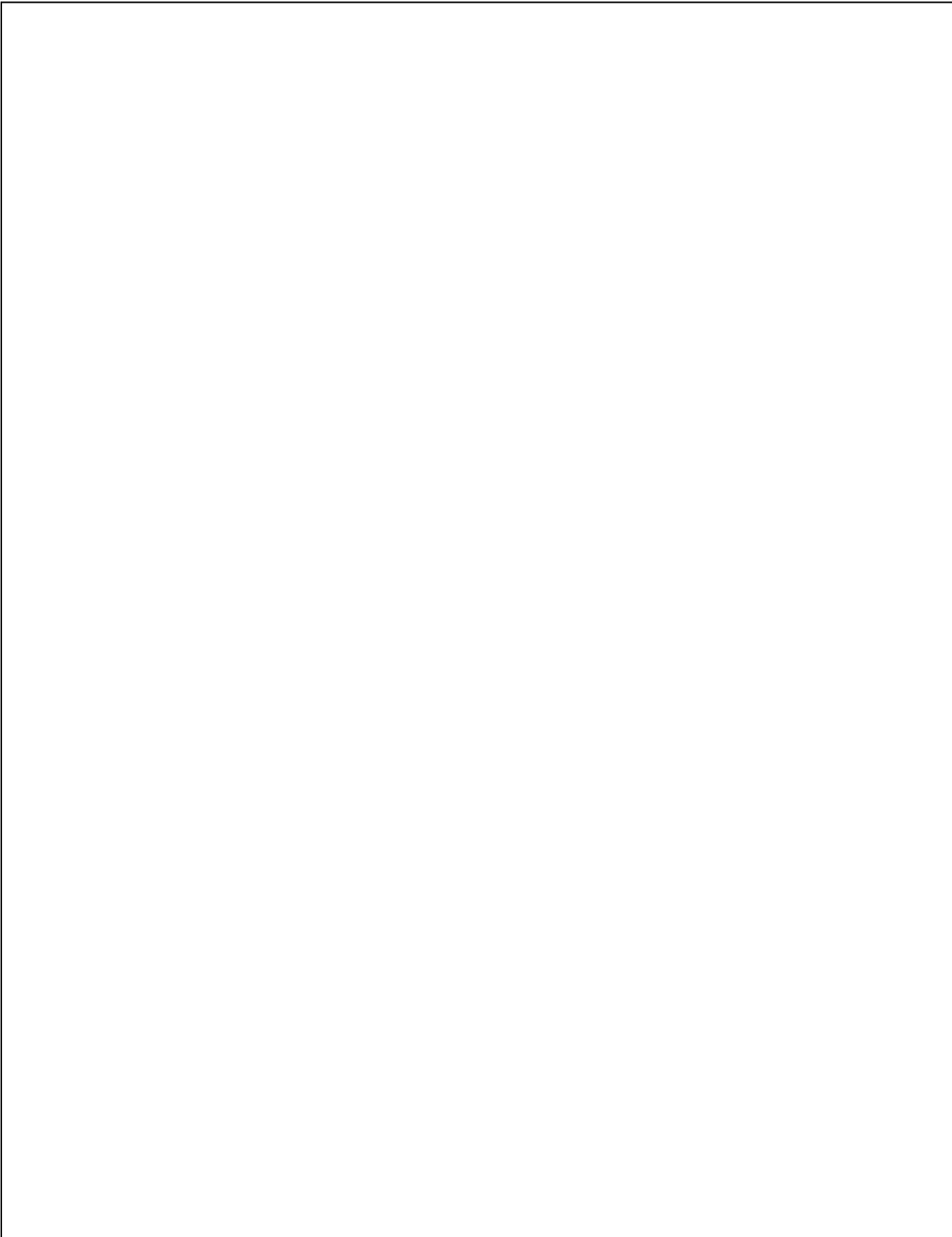
CW50-220008.dxf
 CW50-220008.dwg

170°

CW50-220009.dxf
 CW50-220009.dwg





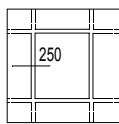


CW 50 Structural Clamped

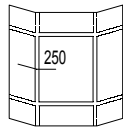


1 Structure interne

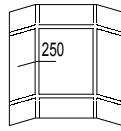
Structure interne verticale



CW 50-SC - 252

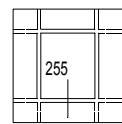


CW 50-SC - 252

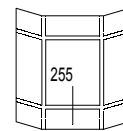


CW 50-SC - 252

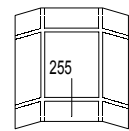
Structure interne horizontale



CW 50-SC - 253



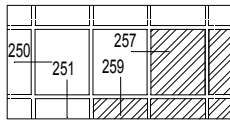
CW 50-SC - 253



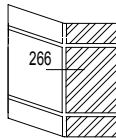
CW 50-SC - 253

2 Éléments fixes

Panneaux fixes



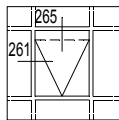
CW 50-SC - 256



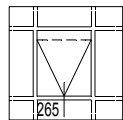
CW 50-SC - 259

3 Éléments ouvrants

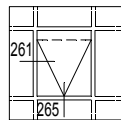
Fenêtres avec ouvrants VEC



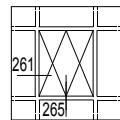
CW 50-SC - 260



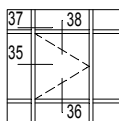
CW 50-SC - 261



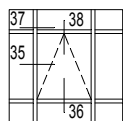
CW 50-SC - 262



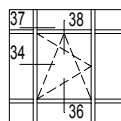
CW 50-SC - 260



CW 50-SC - 264



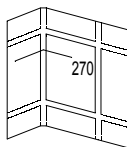
CW 50-SC - 264



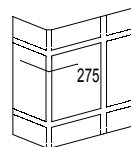
CW 50-SC - 264

4 Raccordements

Solutions d'angle



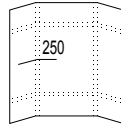
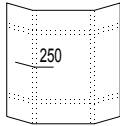
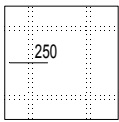
CW 50-SC - 266



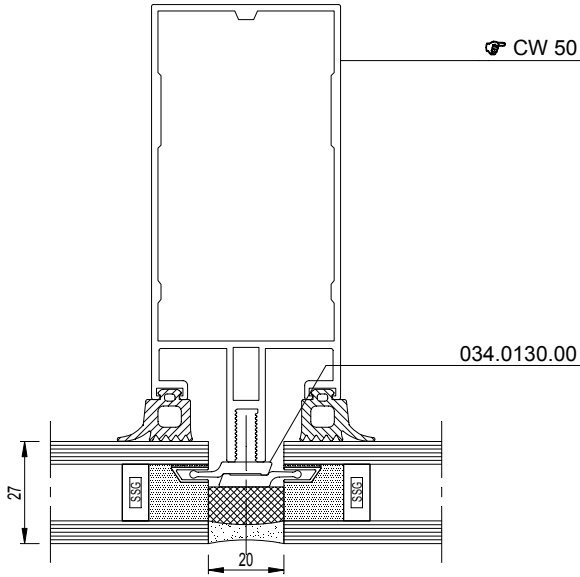
CW 50-SC - 268

CW 50-SC

Interne structuur - Verticale interne structuur
 Structure interne - Structure interne verticale
 Internal structure - Vertical internal structure
 Interne Struktur - Senkrechte interne Struktur

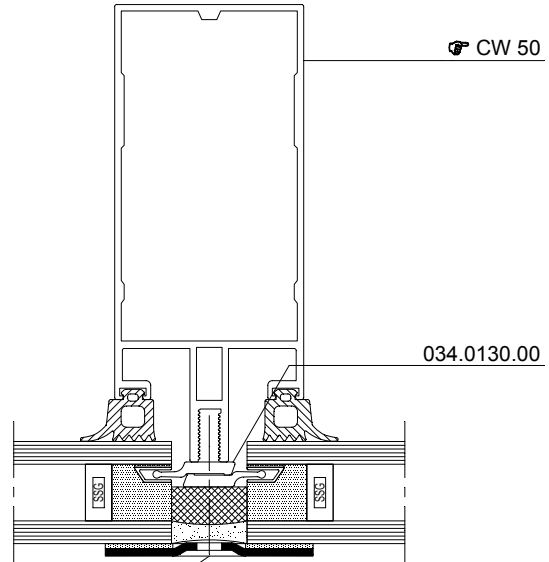


250



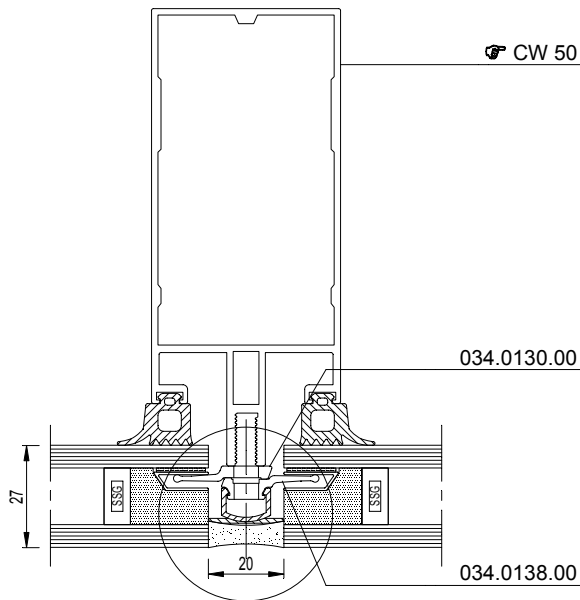
CW50-250001.dxf
 CW50-250001.dwg

CW 50



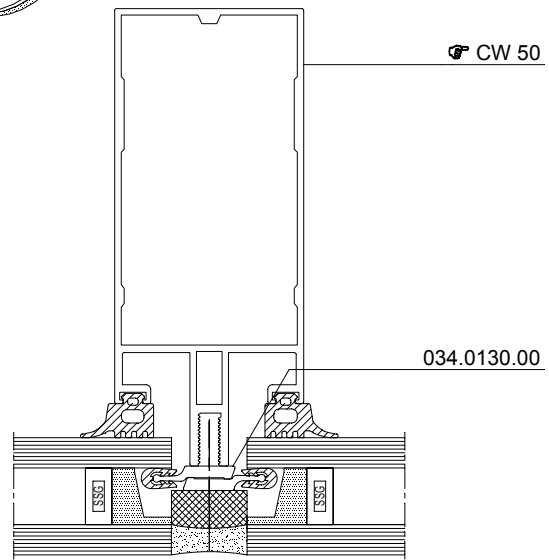
CW50-250003.dxf
 CW50-250003.dwg

250

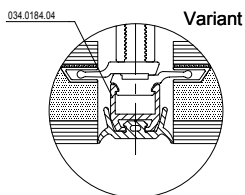
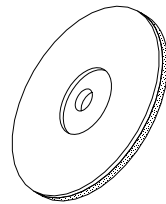


CW50-250005.dxf
 CW50-250005.dwg

CW 50

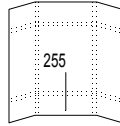
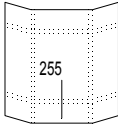
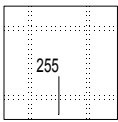


CW50-250004.dxf
 CW50-250004.dwg

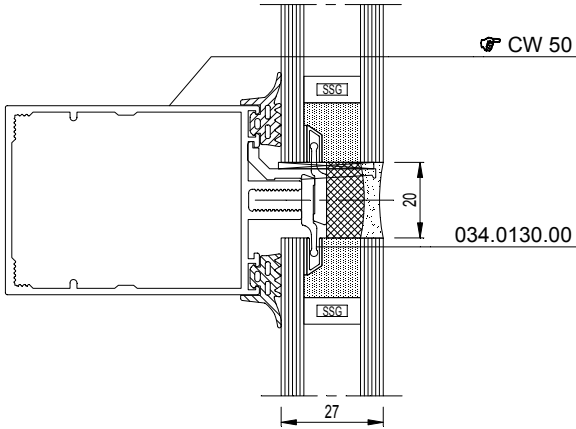


CW 50-SC

Structuur - Horizontale interne structuur
Structure interne - Structure interne horizontale
Internal structure - Horizontal internal structure
Interne Struktur - Horizontale interne Struktur



255



☞ CW 50

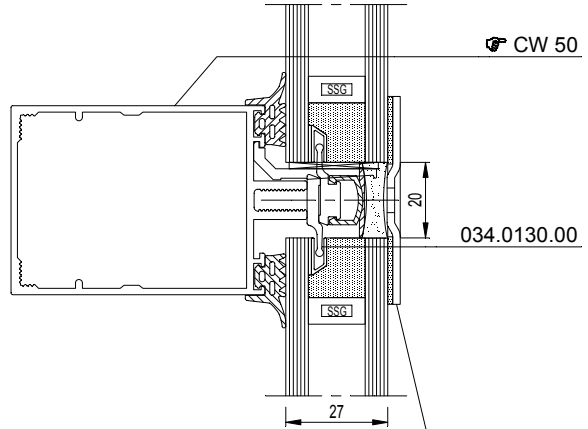
034.0130.00

27

20

CW50-255001.dxf
CW50-255001.dwg

255



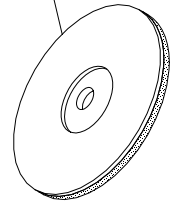
☞ CW 50

034.0130.00

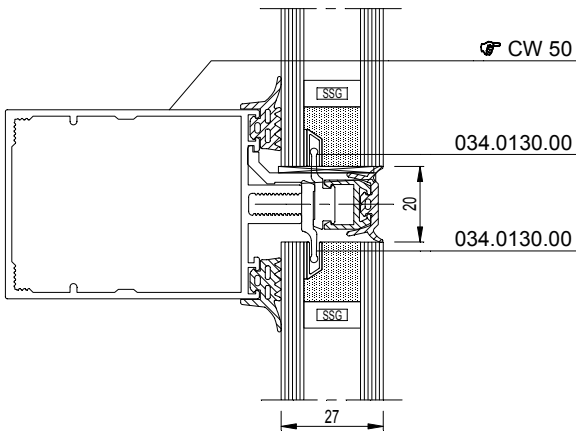
27

20

CW50-255005.dxf
CW50-255005.dwg



255



☞ CW 50

034.0130.00

034.0130.00

27

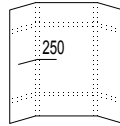
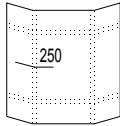
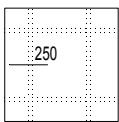
20

CW50-255002.dxf
CW50-255002.dwg

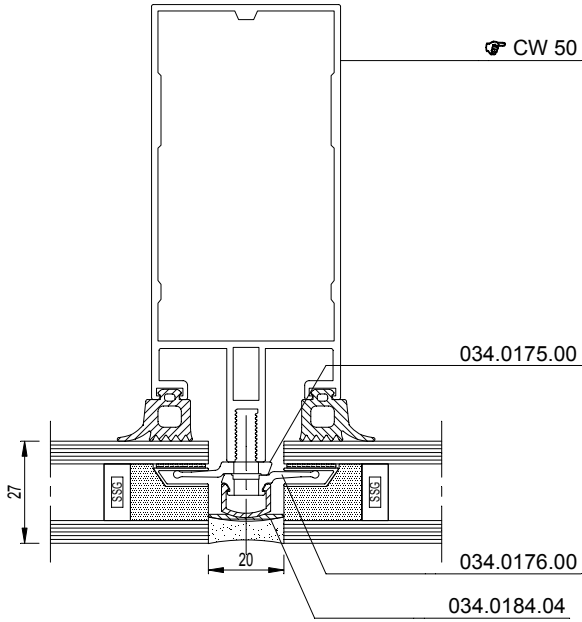


CW 50-SC

Interne structuur - Verticale interne structuur
 Structure interne - Structure interne verticale
 Internal structure - Vertical internal structure
 Interne Struktur - Senkrechte interne Struktur

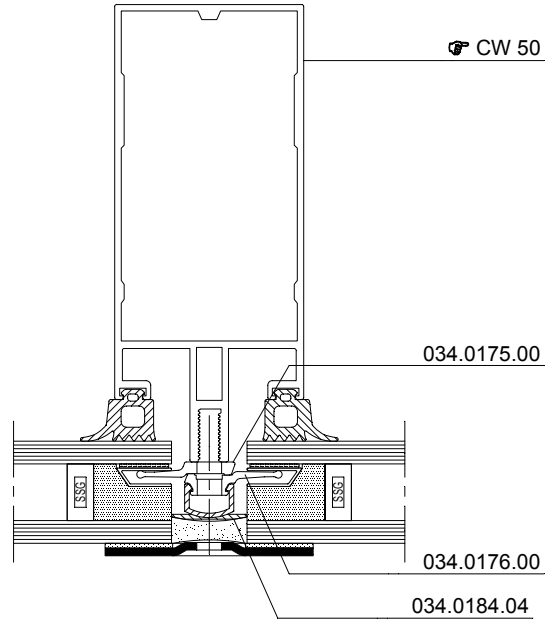


250



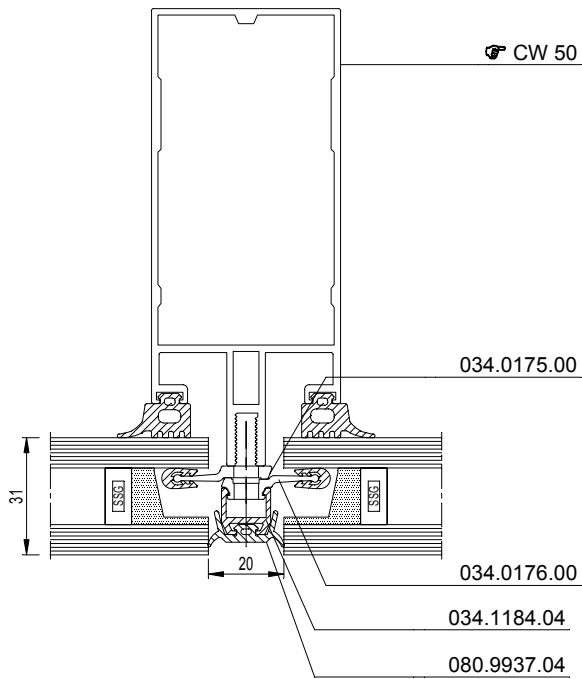
CW50-250005.dxf
 CW50-250005.dwg

CW 50



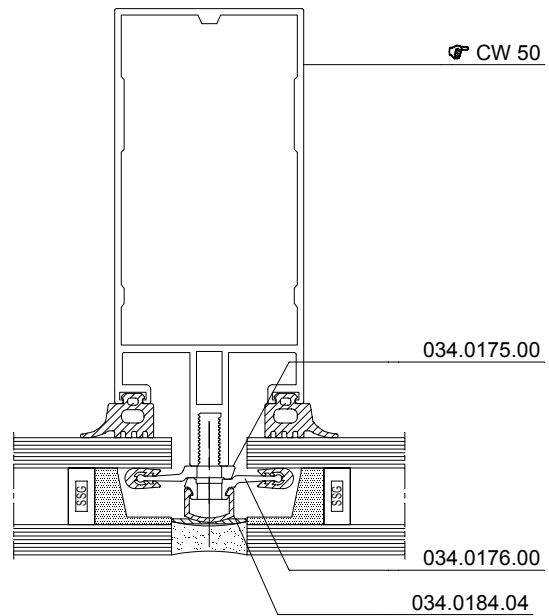
CW50-250007.dxf
 CW50-250007.dwg

250



CW50-250006.dxf
 CW50-250006.dwg

CW 50

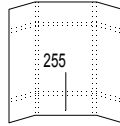
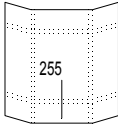
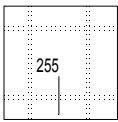


CW50-250008.dxf
 CW50-250008.dwg

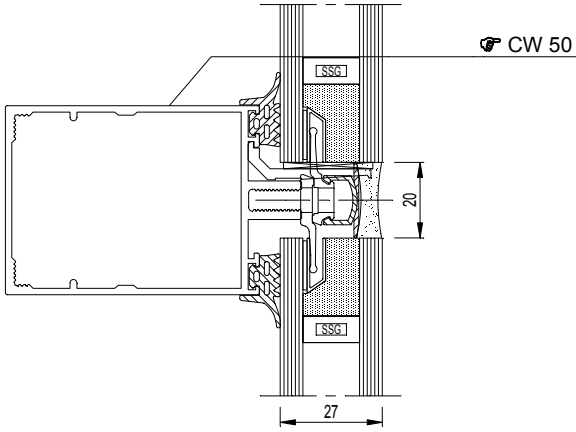


CW 50-SC

Structuur - Horizontale interne structuur
Structure interne - Structure interne horizontale
Internal structure - Horizontal internal structure
Interne Struktur - Horizontale interne Struktur



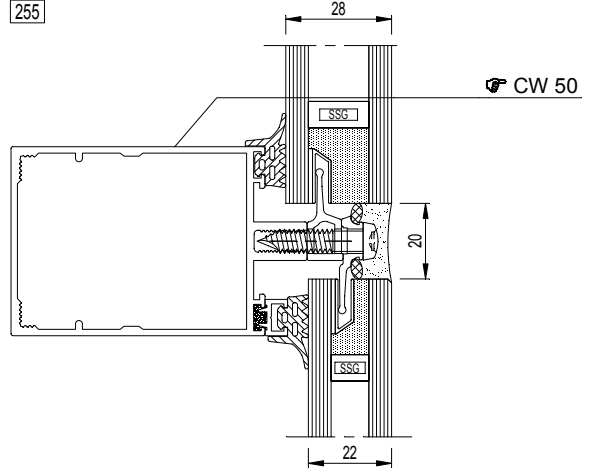
255



CW 50

CW50-255003.dxf
CW50-255003.dwg

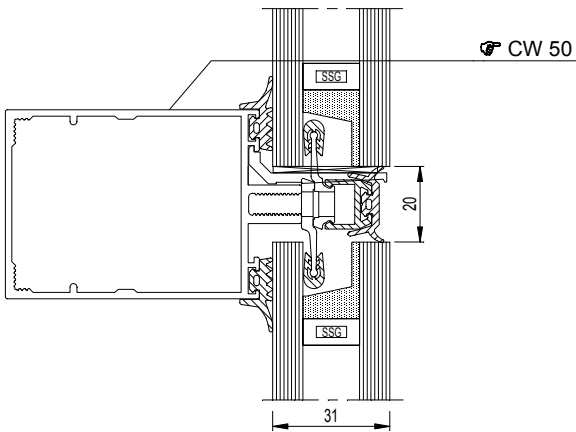
255



CW 50

CW50-255006.dxf
CW50-255006.dwg

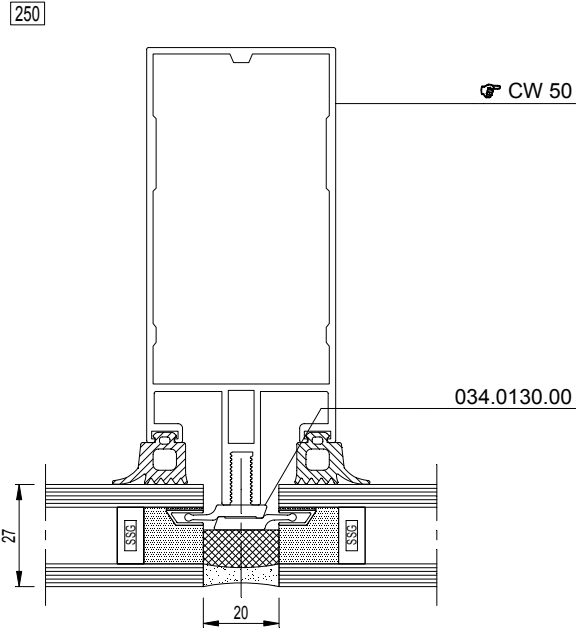
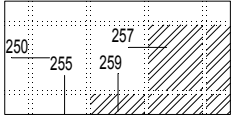
255



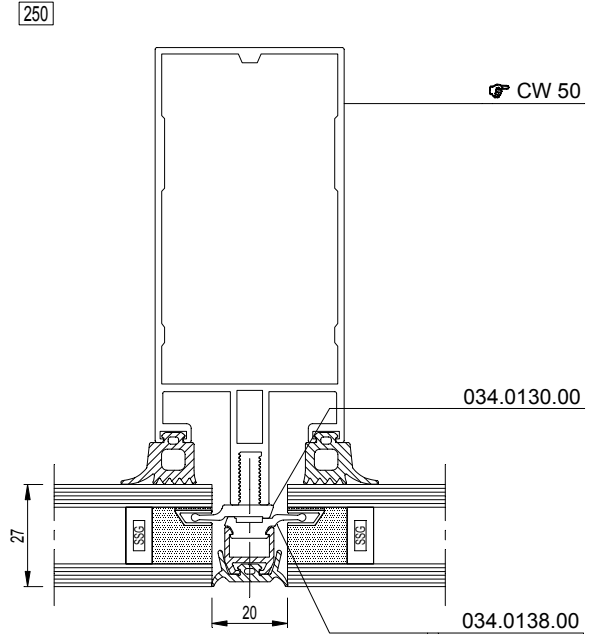
CW 50

CW50-255004.dxf
CW50-255004.dwg

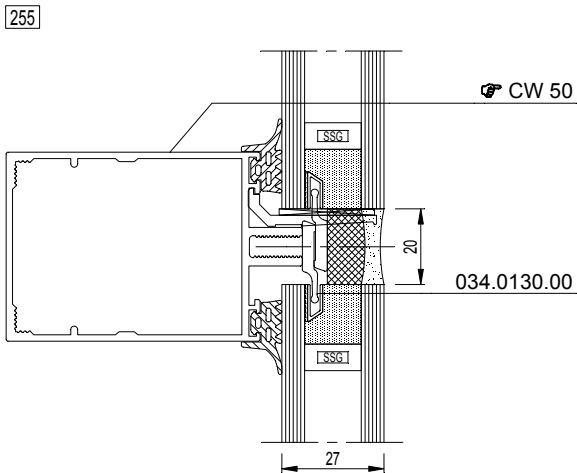




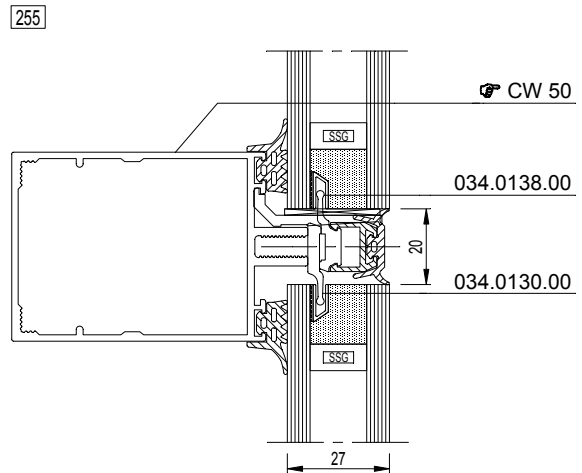
CW50-250001.dxf
 CW50-250001.dwg



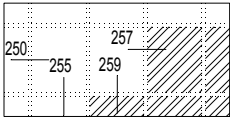
CW50-250002.dxf
 CW50-250002.dwg



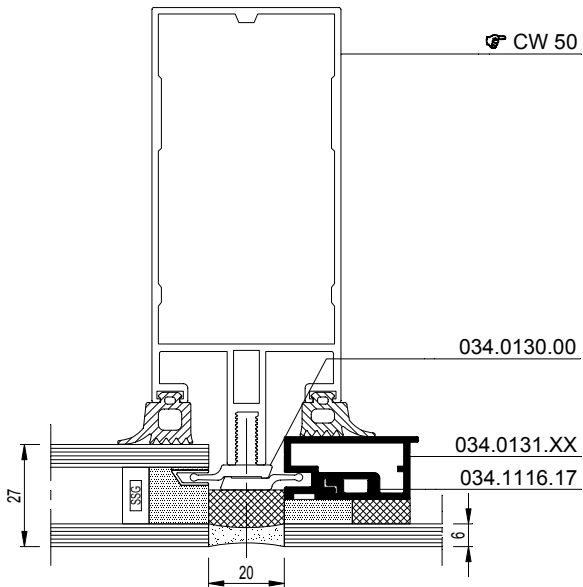
CW50-255001.dxf
 CW50-255001.dwg



CW50-255002.dxf
 CW50-255002.dwg

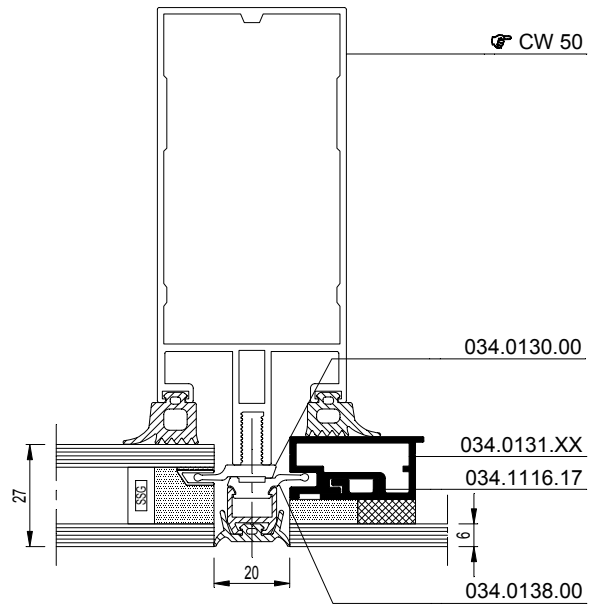


257



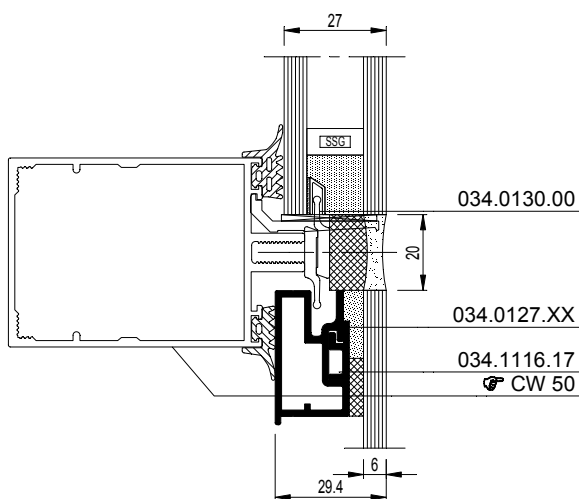
CW50-257001.dxf
 CW50-257001.dwg

257



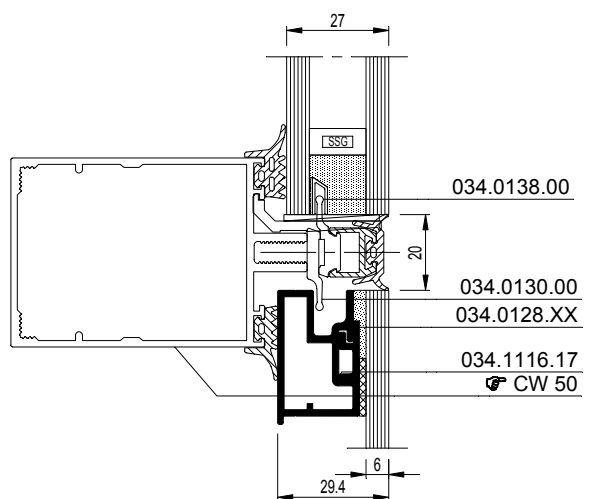
CW50-257002.dxf
 CW50-257002.dwg

258



CW50-259001.dxf
 CW50-259001.dwg

258

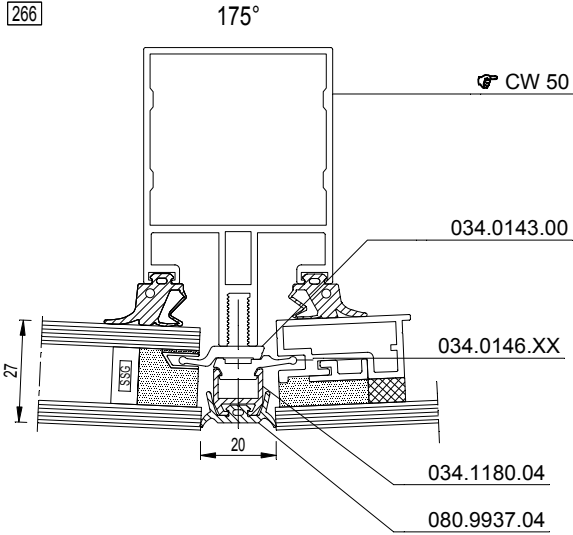
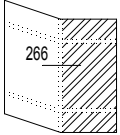


CW50-259002.dxf
 CW50-259002.dwg

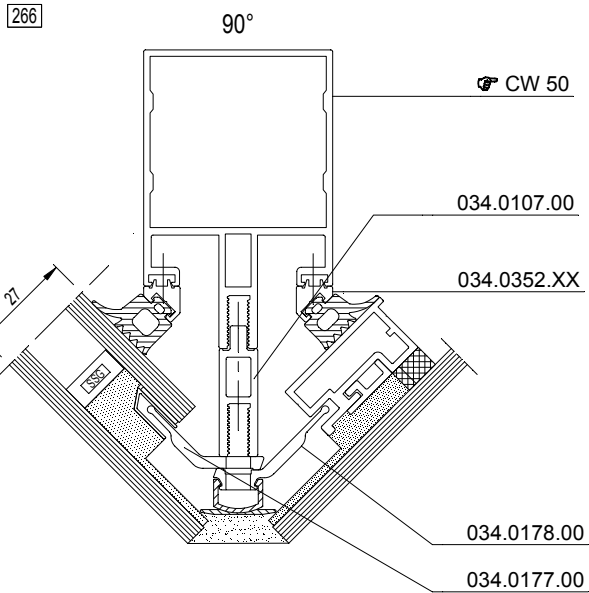
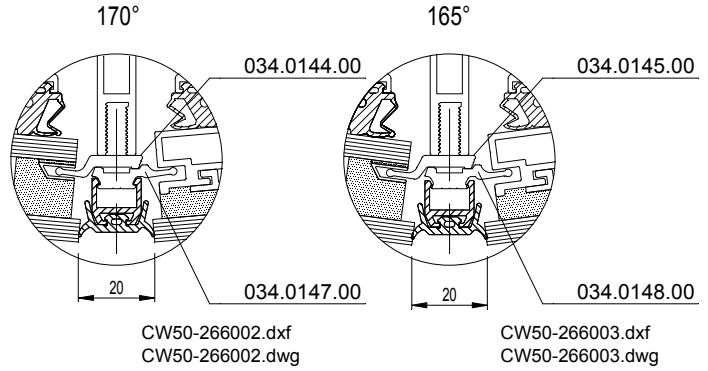


CW 50-SC

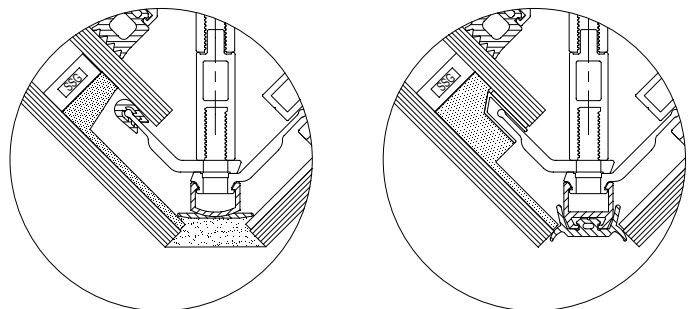
Vaste elementen - Vaste panelen
 Eléments fixes - Panneaux fixes
 Fixed elements - Fixed panels
 Feste Elemente - Feste Füllungen



CW50-266001.dxf
 CW50-266001.dwg



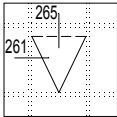
CW50-266004.dxf
 CW50-266004.dwg



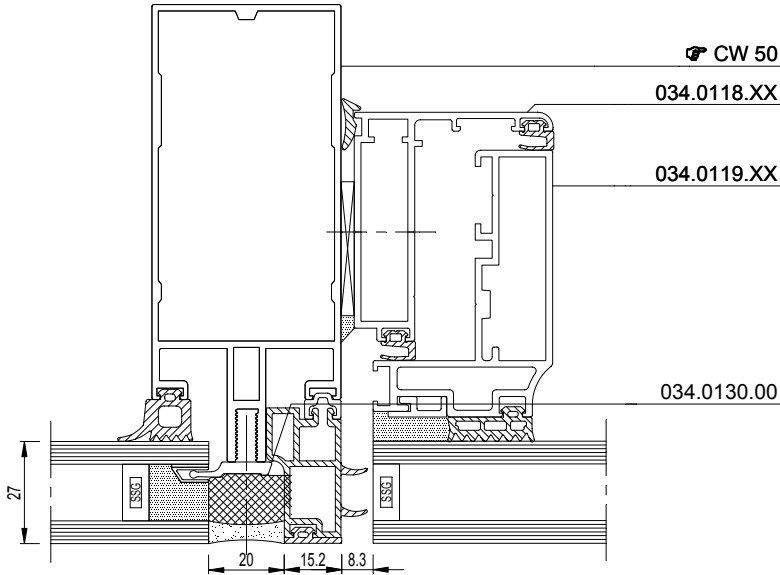
CW50-266005.dxf
 CW50-266005.dwg

CW50-266006.dxf
 CW50-266006.dwg



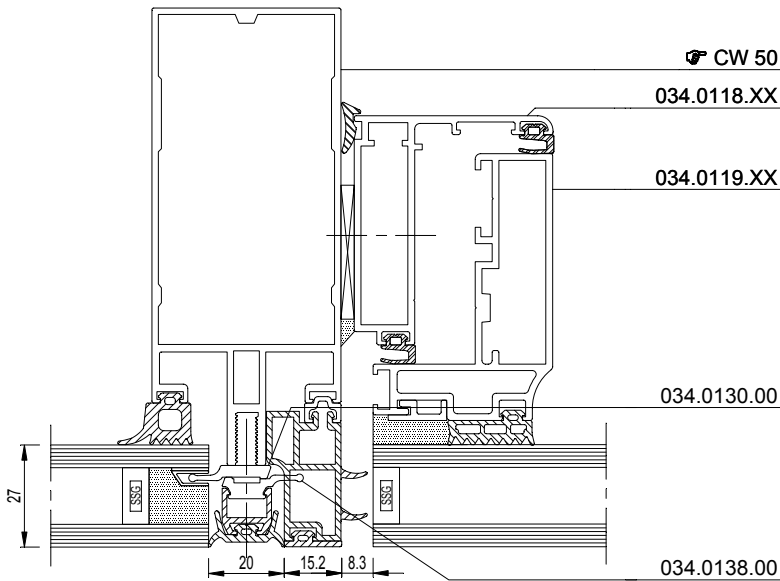


261



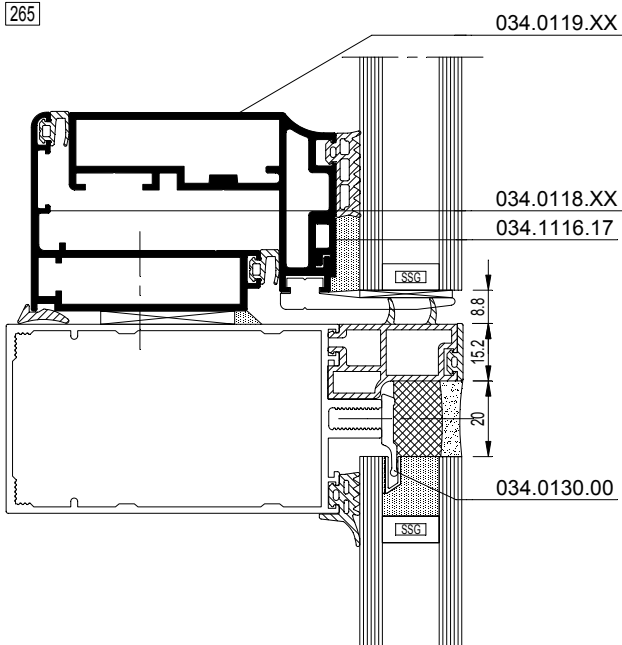
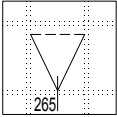
CW50-261001.dxf
CW50-261001.dwg

261

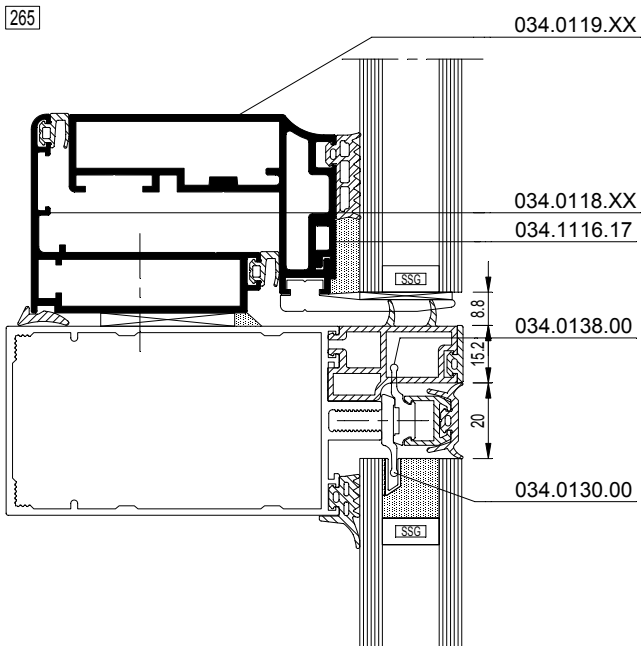


CW50-261002.dxf
CW50-261002.dwg



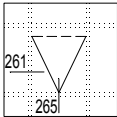


CW50-265001.dxf
CW50-265001.dwg

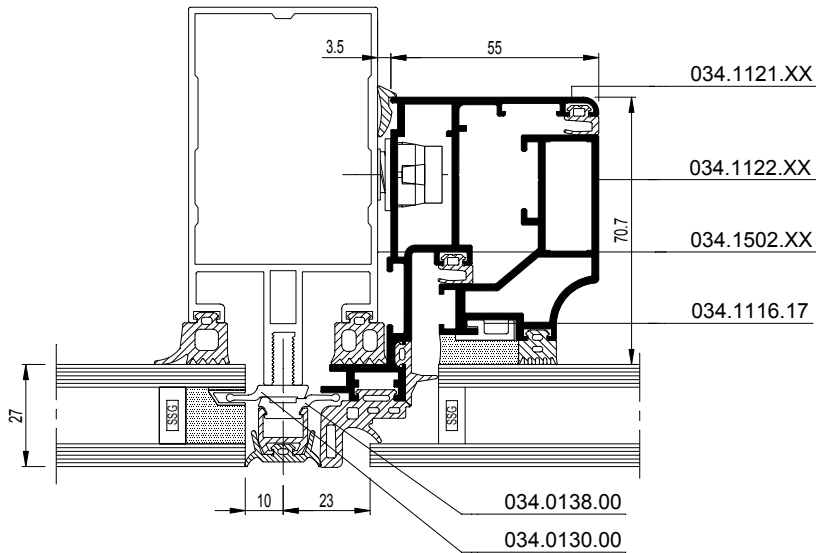


CW50-265002.dxf
CW50-265002.dwg



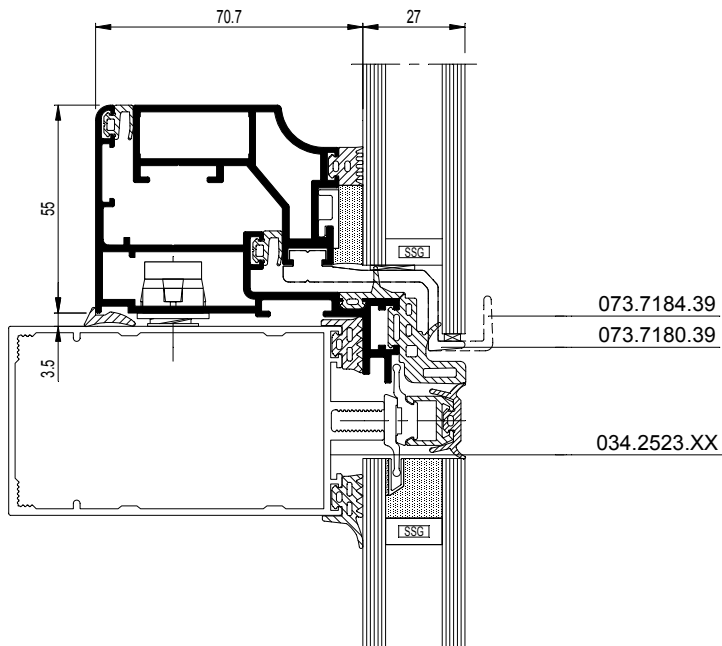


261



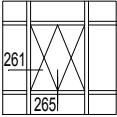
CW50-261003.dxf
 CW50-261003.dwg

265

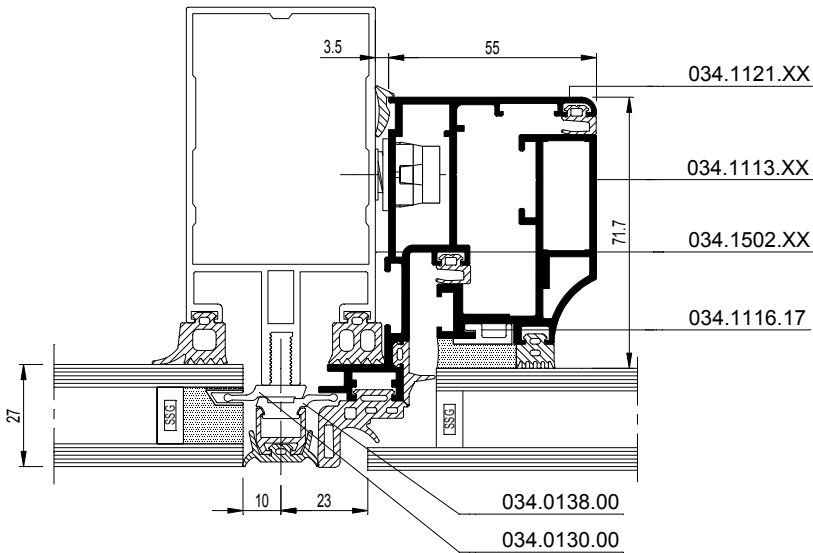


CW50-265003.dxf
 CW50-265003.dwg



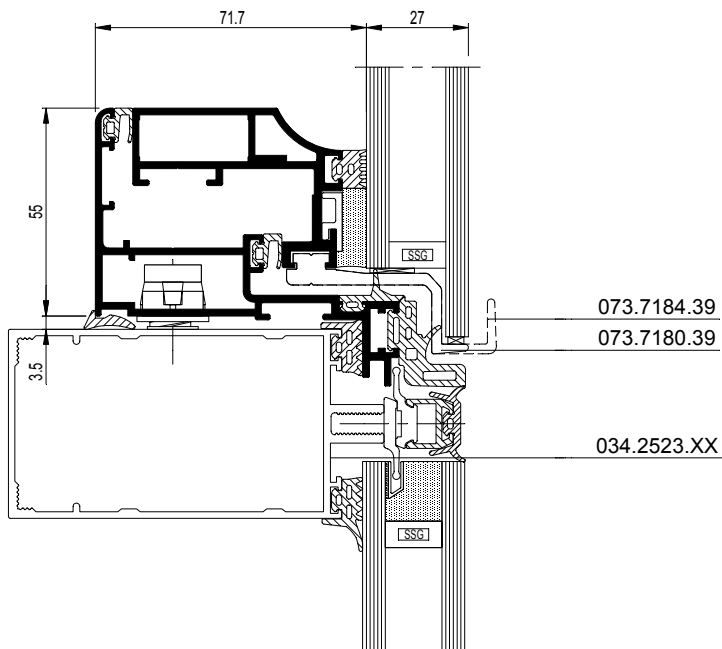


261



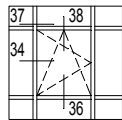
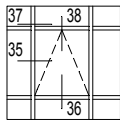
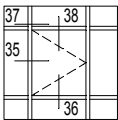
CW50-261004.dxf
 CW50-261004.dwg

265

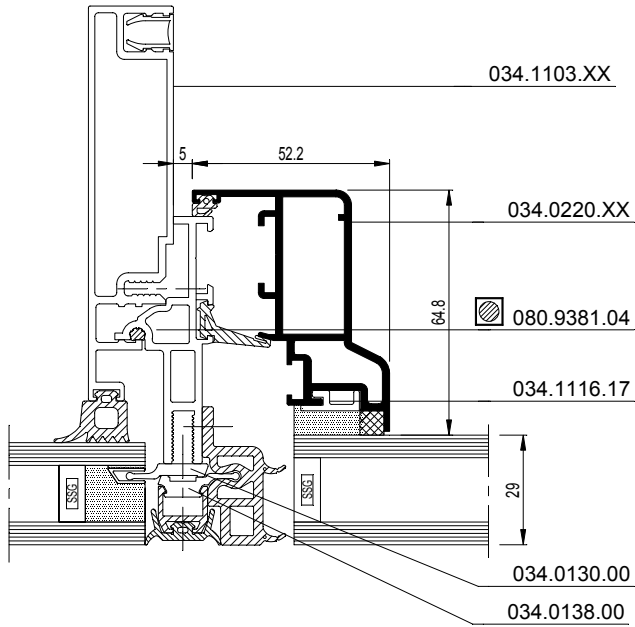


CW50-265004.dxf
 CW50-265004.dwg



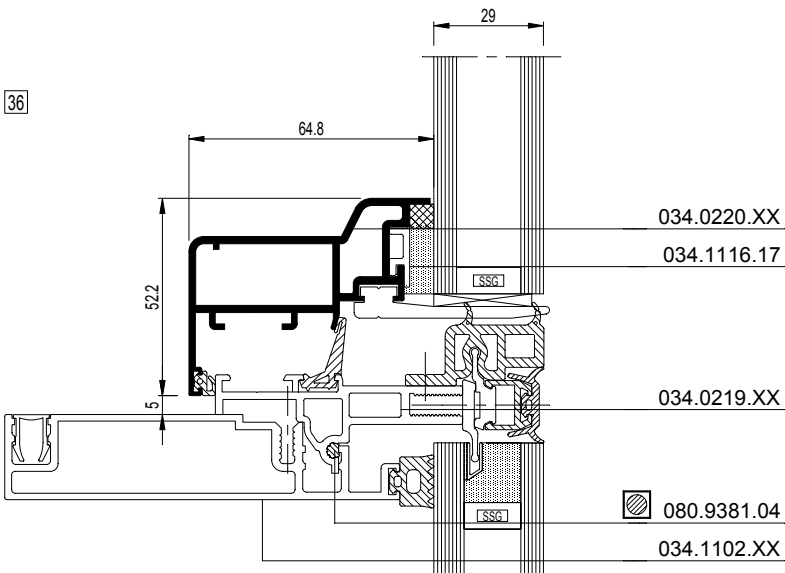


35



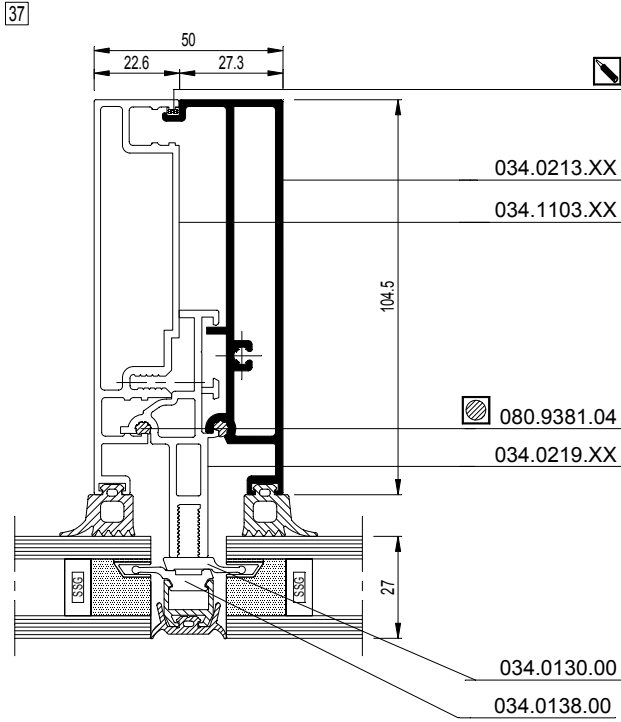
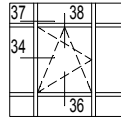
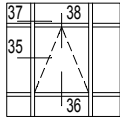
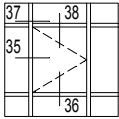
CW50-035002.dxf
 CW50-035002.dwg

36

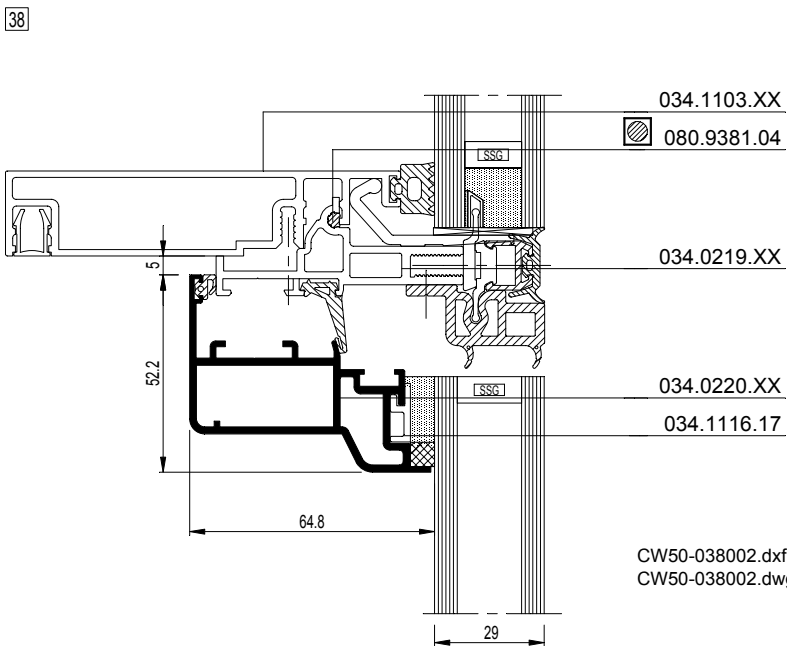


CW50-036002.dxf
 CW50-036002.dwg

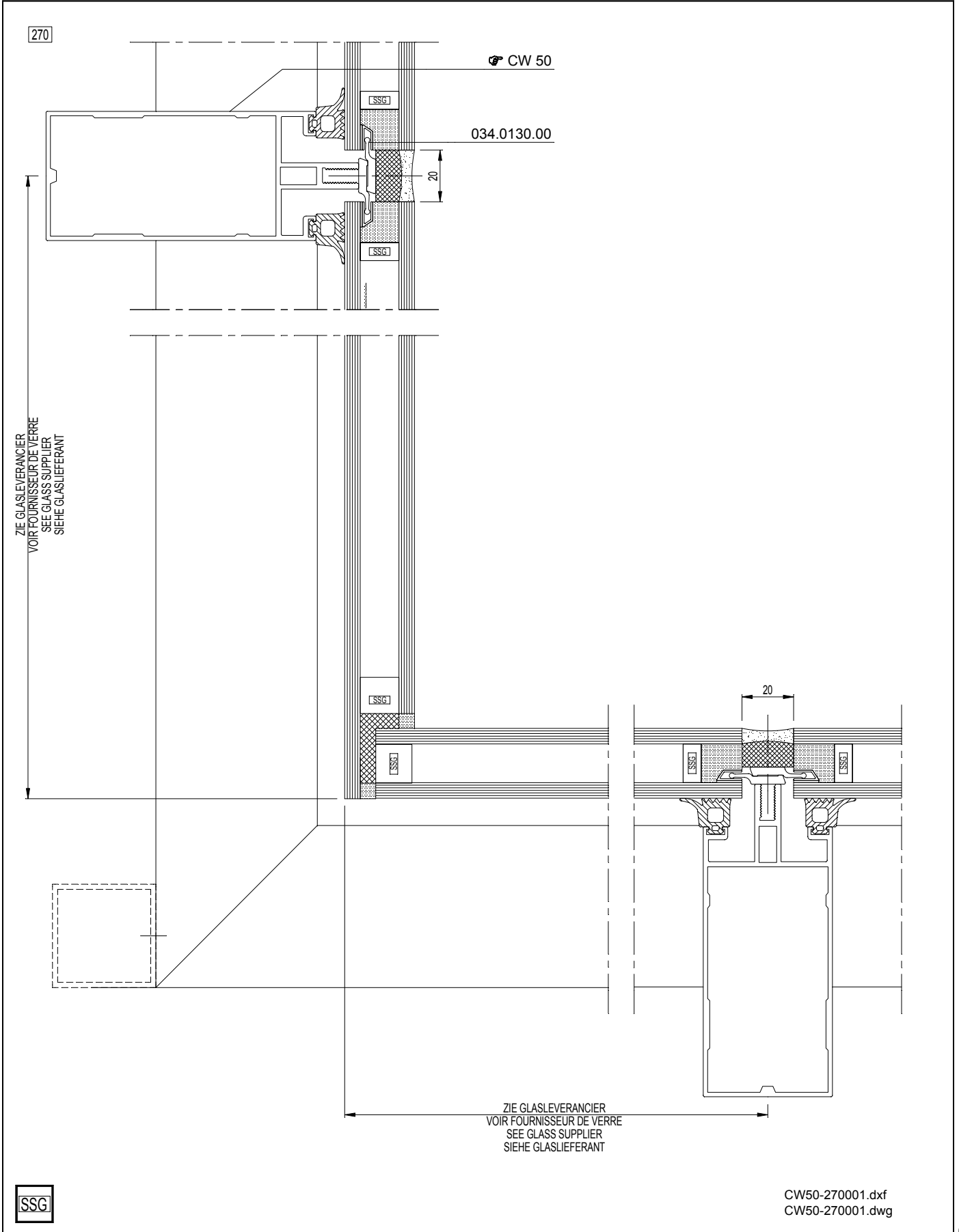
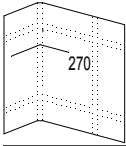


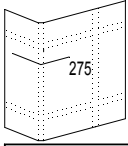


CW50-037002.dxf
 CW50-037002.dwg

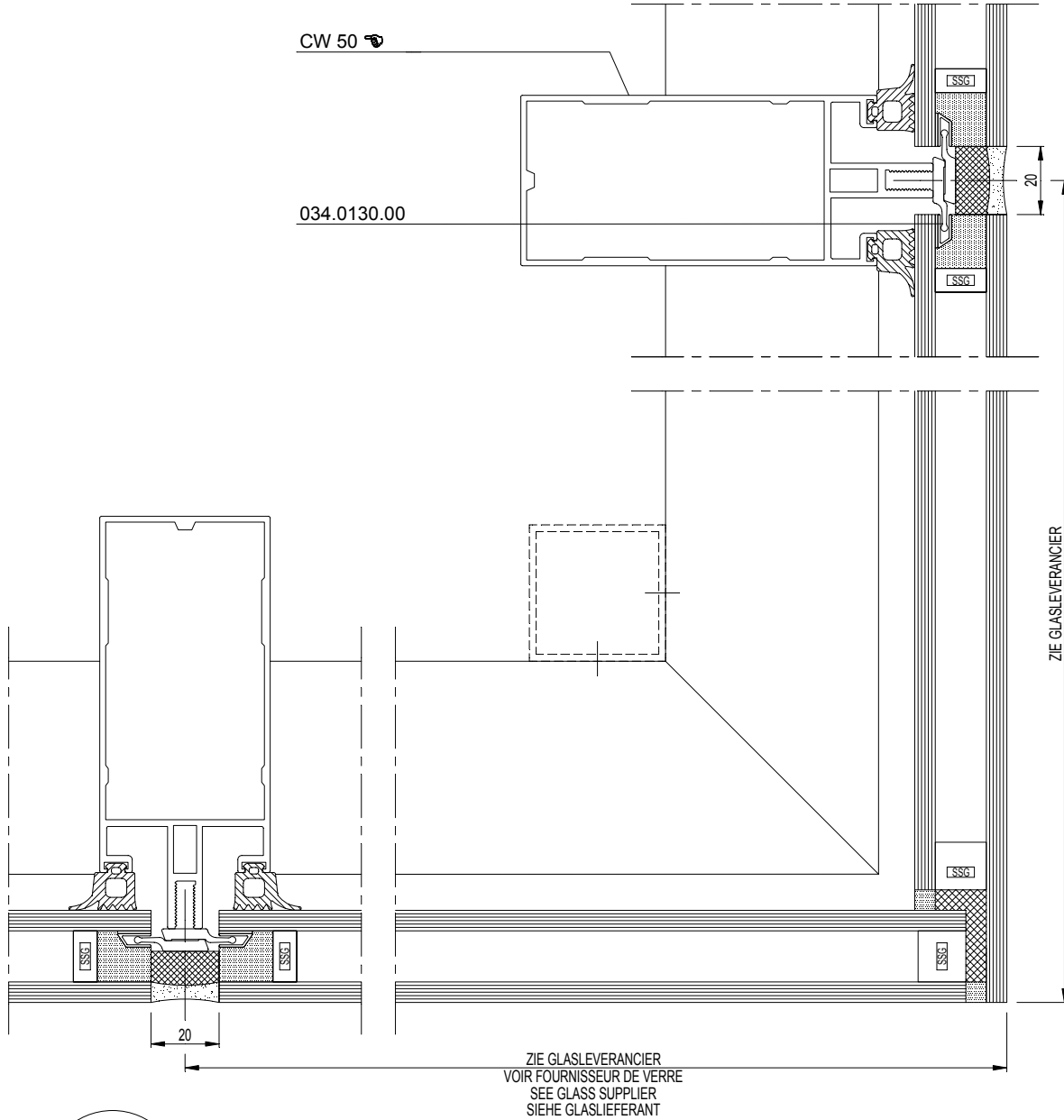


CW50-038002.dxf
 CW50-038002.dwg





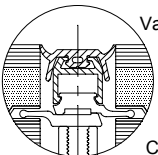
275



ZIE GLASLEVERANCIER
VOIR FOURNISSEUR DE VERRE
SEE GLASS SUPPLIER
SIEHE GLASLIEFERANT

ZIE GLASLEVERANCIER
VOIR FOURNISSEUR DE VERRE
SEE GLASS SUPPLIER
SIEHE GLASLIEFERANT

CW50-275001.dxf
CW50-275001.dwg



Variant

CW50-270002.dxf
CW50-270002.dwg

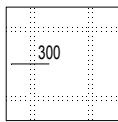


CW 50 Structural Glazing

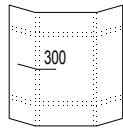


1 Structure interne

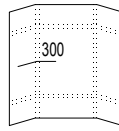
Structure interne verticale



CW 50-SG - 302

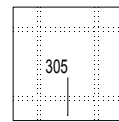


CW 50-SG - 302

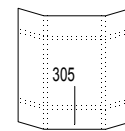


CW 50-SG - 302

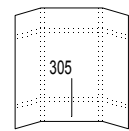
Structure interne horizontale



CW 50-SG - 303



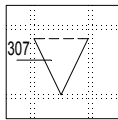
CW 50-SG - 303



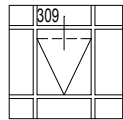
CW 50-SG - 303

2 Éléments ouvrants

Fenêtres avec ouvrants VEC



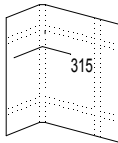
CW 50-SG - 304



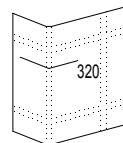
CW 50-SG - 305

3 Raccordements

Solutions d'angle



CW 50-SG - 310



CW 50-SG - 311

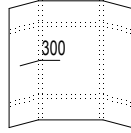
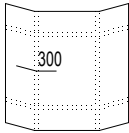
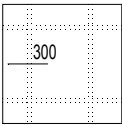
Dilatation



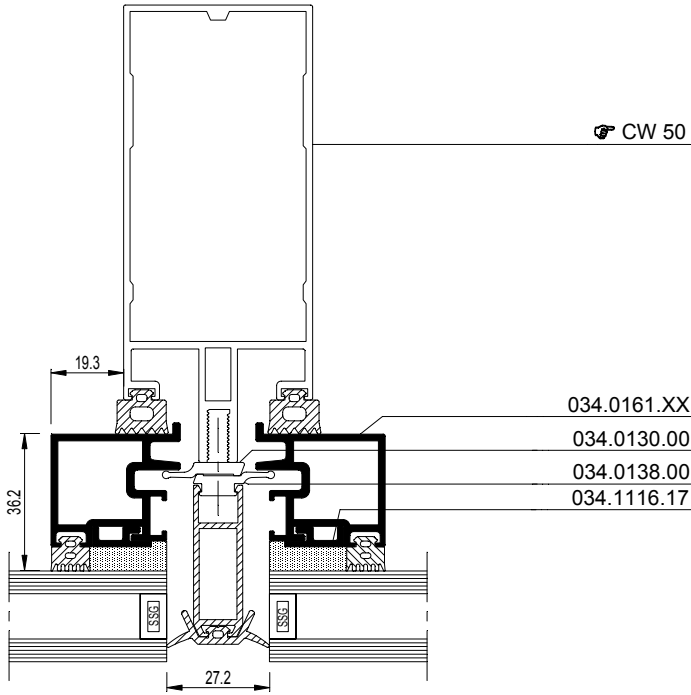
CW 50-SC - 215

CW 50-SG

Interne structuur - Verticale interne structuur
 Structure interne - Structure interne verticale
 Internal structure - Vertical internal structure
 Interne Struktur - Structure interne verticale

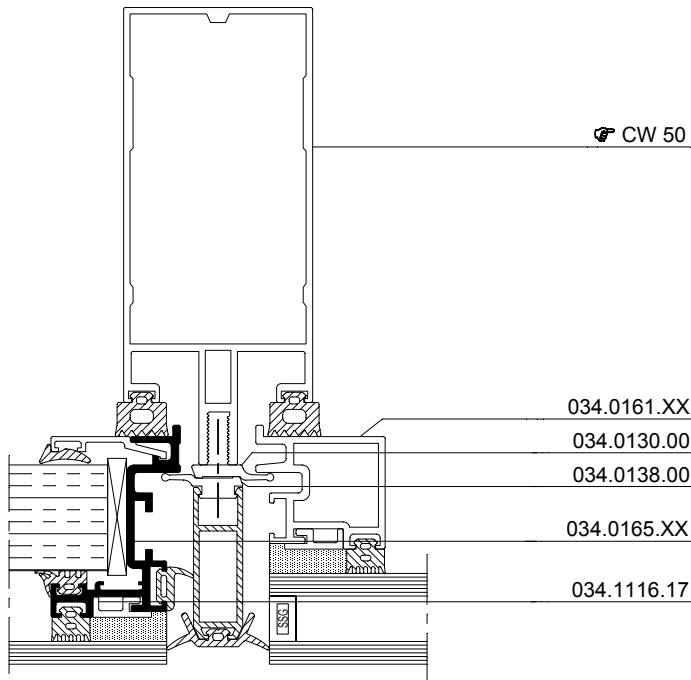


300

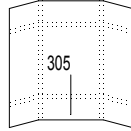
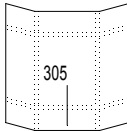
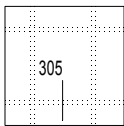


CW50-300001.dxf
 CW50-300001.dwg

300



... .dxf
dwg



305

CW 50

034.0138.00

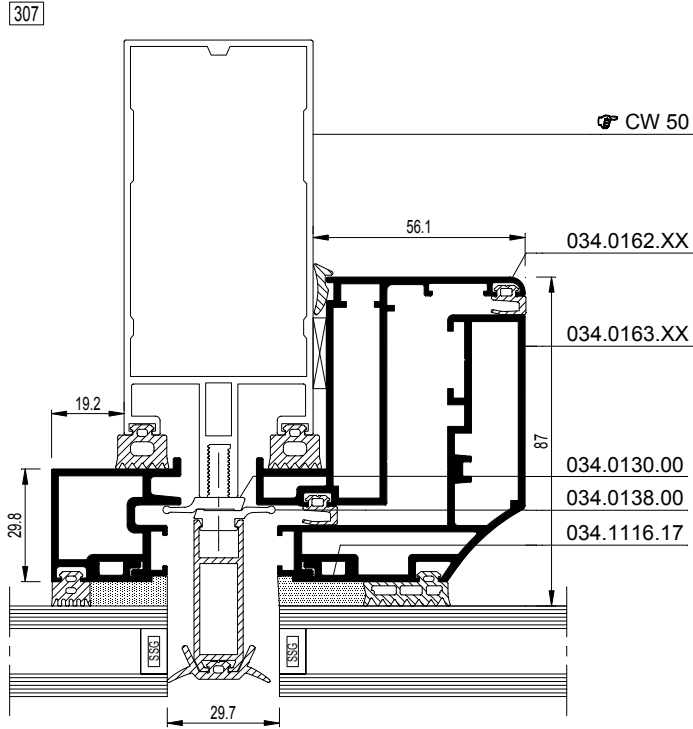
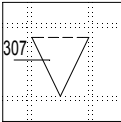
034.0130.00

034.1116.17

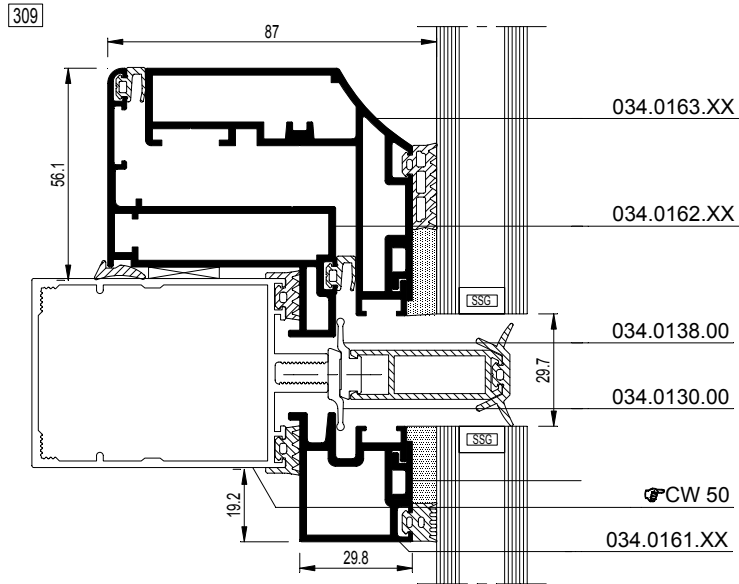
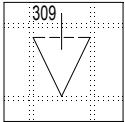
034.0161.XX

CW50-305001.dxf
CW50-305001.dwg

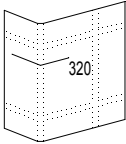
<p>305</p> <p style="text-align: right;">CW 50</p> <p style="text-align: right;">034.0165.XX</p> <p style="text-align: right;">034.0138.00</p> <p style="text-align: right;">034.0130.00</p> <p style="text-align: right;">034.1116.17</p> <p style="text-align: right;">034.0161.XX</p> <p style="text-align: right;">... .dxfdwg</p>	<table border="1" style="width: 100%; border-collapse: collapse;"> <tr> <td style="width: 50%; padding: 5px;"> <p>034.0165.XX</p> <p>300 CW50-300002.dxf CW50-300002.dwg</p> <p>305 CW50-305002.dxf CW50-305002.dwg</p> </td> <td style="width: 50%; padding: 5px;"> <p>034.0166.XX</p> <p>300 CW50-300003.dxf CW50-300003.dwg</p> <p>305 CW50-305003.dxf CW50-305003.dwg</p> </td> </tr> <tr> <td style="width: 50%; padding: 5px;"> <p>034.0167.XX</p> <p>300 CW50-300004.dxf CW50-300004.dwg</p> <p>305 CW50-305004.dxf CW50-305004.dwg</p> </td> <td style="width: 50%;"></td> </tr> </table>	<p>034.0165.XX</p> <p>300 CW50-300002.dxf CW50-300002.dwg</p> <p>305 CW50-305002.dxf CW50-305002.dwg</p>	<p>034.0166.XX</p> <p>300 CW50-300003.dxf CW50-300003.dwg</p> <p>305 CW50-305003.dxf CW50-305003.dwg</p>	<p>034.0167.XX</p> <p>300 CW50-300004.dxf CW50-300004.dwg</p> <p>305 CW50-305004.dxf CW50-305004.dwg</p>	
<p>034.0165.XX</p> <p>300 CW50-300002.dxf CW50-300002.dwg</p> <p>305 CW50-305002.dxf CW50-305002.dwg</p>	<p>034.0166.XX</p> <p>300 CW50-300003.dxf CW50-300003.dwg</p> <p>305 CW50-305003.dxf CW50-305003.dwg</p>				
<p>034.0167.XX</p> <p>300 CW50-300004.dxf CW50-300004.dwg</p> <p>305 CW50-305004.dxf CW50-305004.dwg</p>					



CW50-307001.dxf
CW50-307001.dwg



CW50-309001.dxf
CW50-309001.dwg

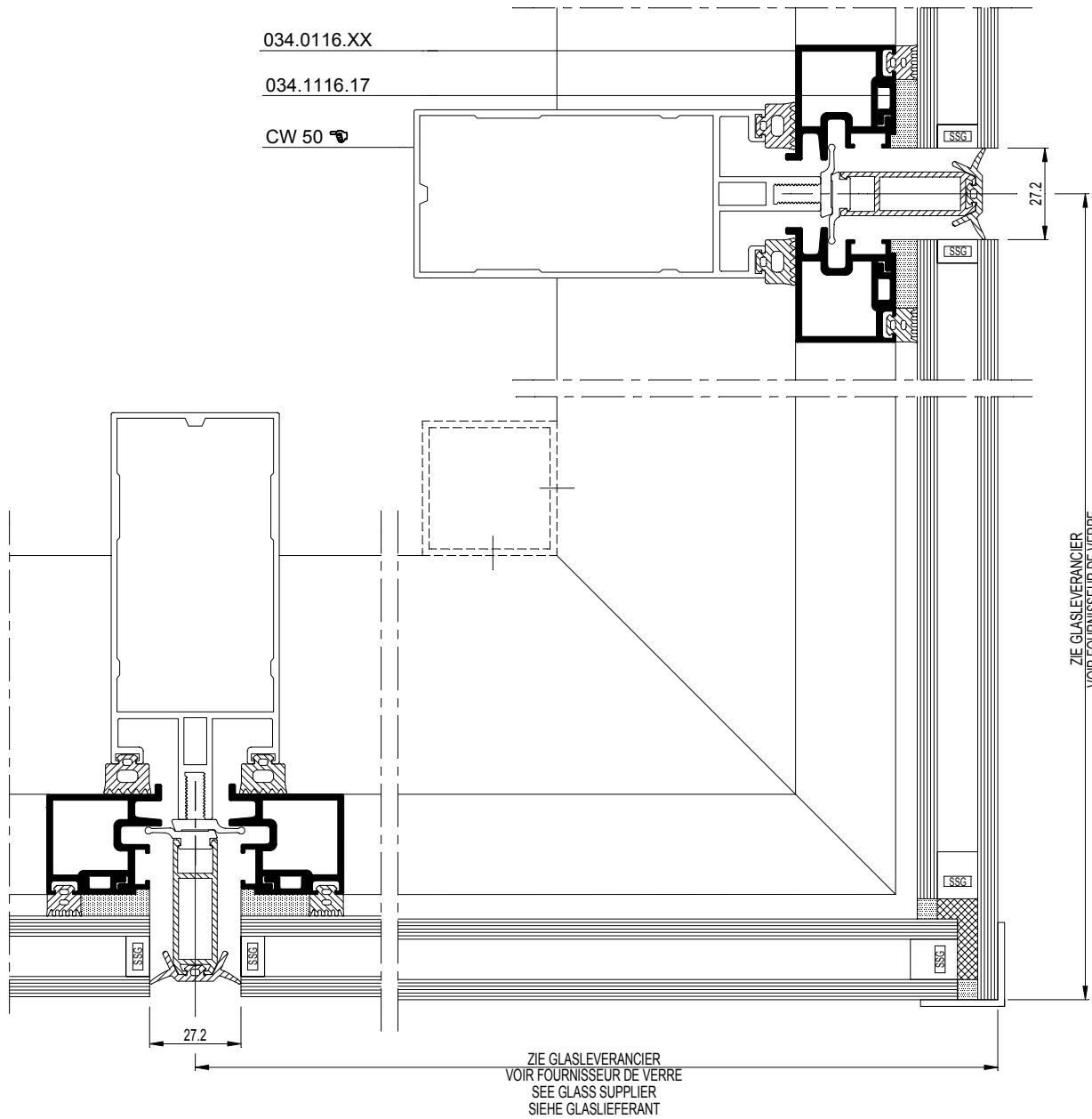


320

034.0116.XX

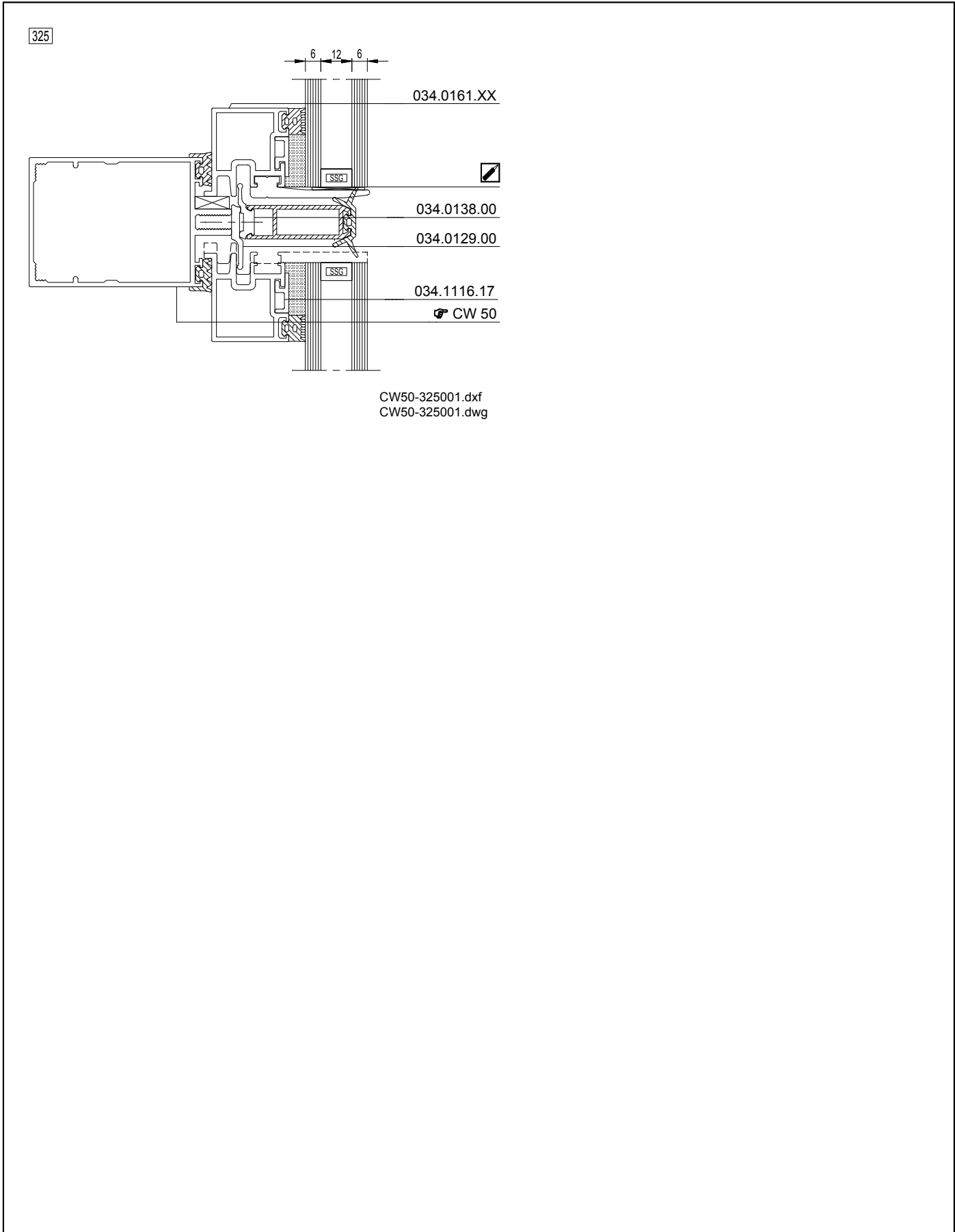
034.1116.17

CW 50



CW50-320001.dxf
CW50-320001.dwg

	325	



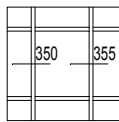
CW 50-FP



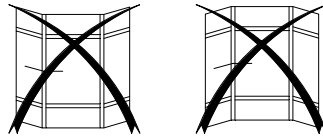
1 Structure interne



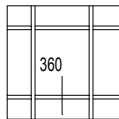
Structure interne verticale



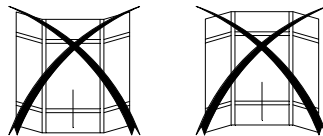
CW 50-FP - 352



Structure interne horizontale



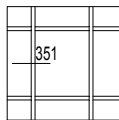
CW 50-FP - 355



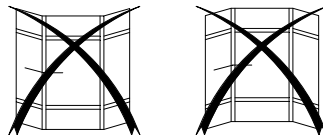
2 Structure interne



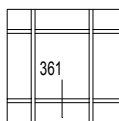
Structure interne verticale



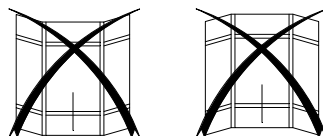
CW 50-FP - 362



Structure interne horizontale



CW 50-FP - 365

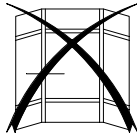
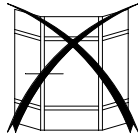


CW 50-FP

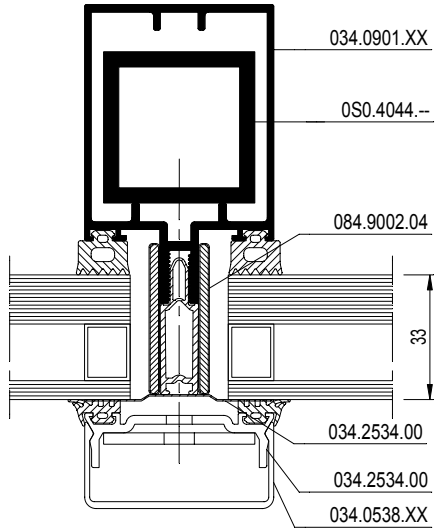
Interne structuur - Verticale interne structuur
 Structure interne - Structure interne verticale
 Internal structure - Vertical internal structure
 Interne Struktur - Senkrechte interne Struktur



350	355
-----	-----



350

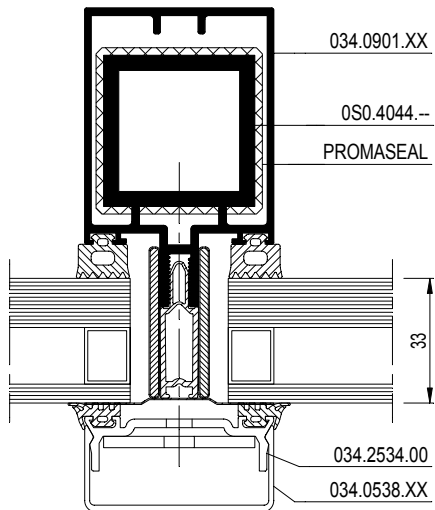


... .dxf
dwg

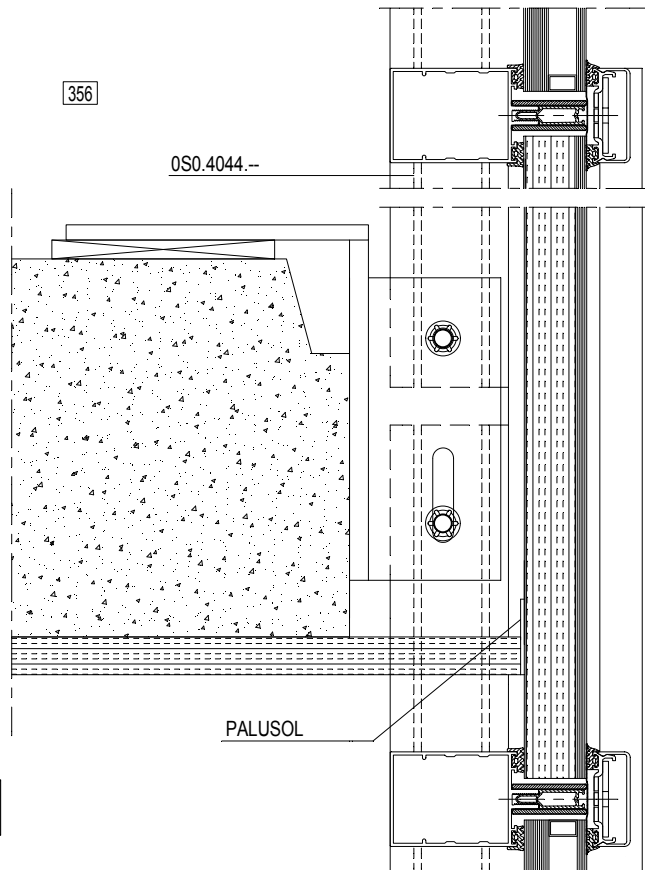


! ALLEEN VOOR VERTICALE GEVEL
 UNIQUEMENT POUR MUR-RIDEAU VERTICAL
 ONLY FOR VERTICAL CURTAIN WALL
 NUR FUER VERTIKALE FASSADE

355



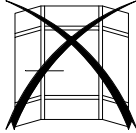
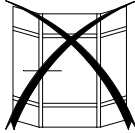
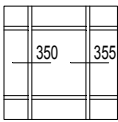
356



... .dxf
dwg

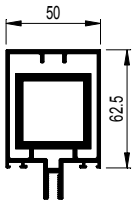


CW50-356001.dxf
 CW50-356001.dwg



034.0901.XX

$$I_x = 75.228 \text{ cm}^4$$

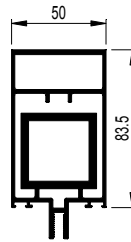


350 CW50-350001.dxf
 CW50-350001.dwg

355 CW50-355001.dxf
 CW50-355001.dwg

034.0902.XX

$$I_x = 116.949 \text{ cm}^4$$

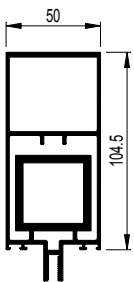


350 CW50-350002.dxf
 CW50-350002.dwg

355 CW50-355002.dxf
 CW50-355002.dwg

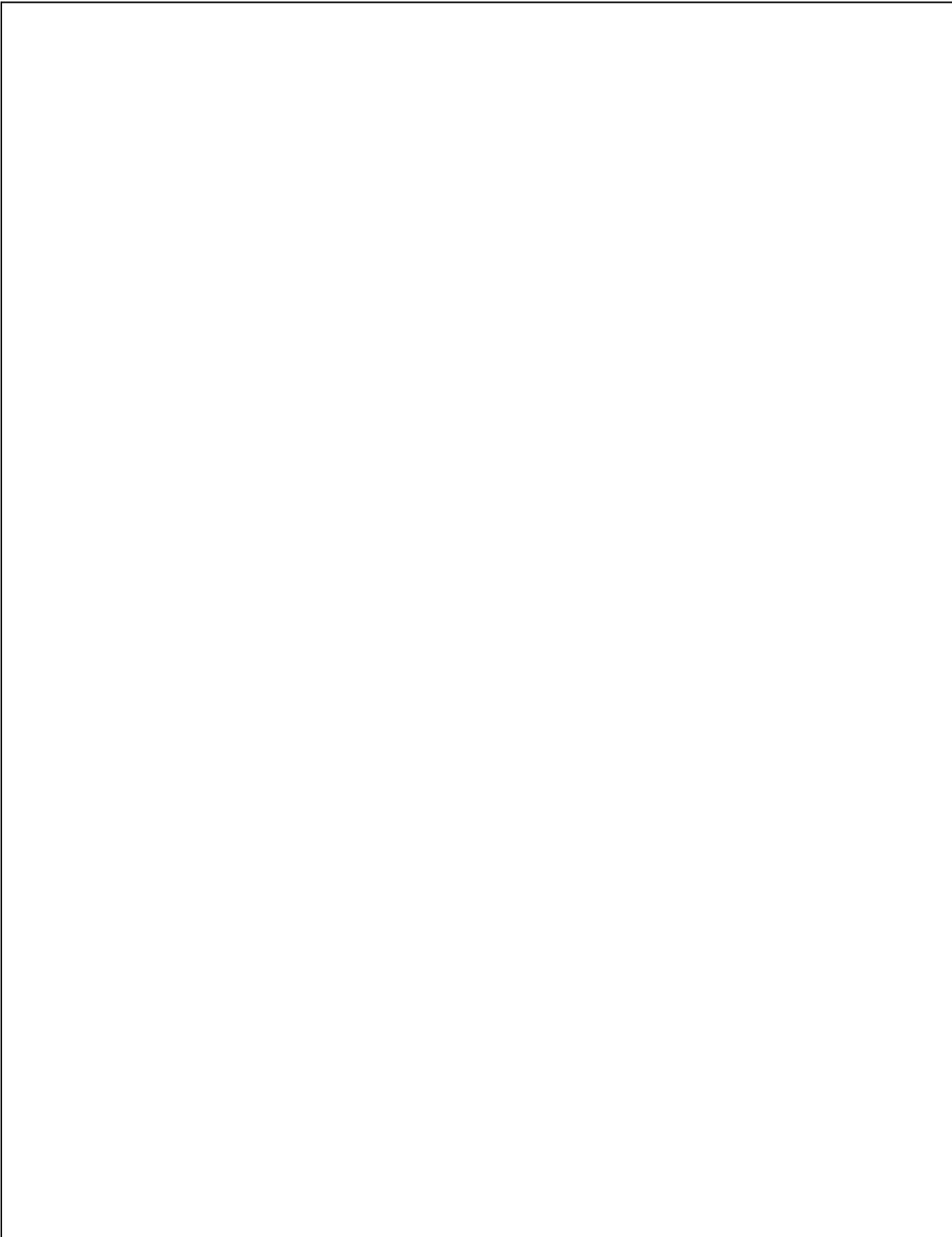
034.0903.XX

$$I_x = 160.587 \text{ cm}^4$$



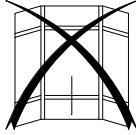
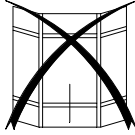
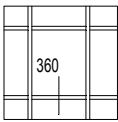
350 CW50-350003.dxf
 CW50-350003.dwg

355 CW50-355003.dxf
 CW50-355003.dwg



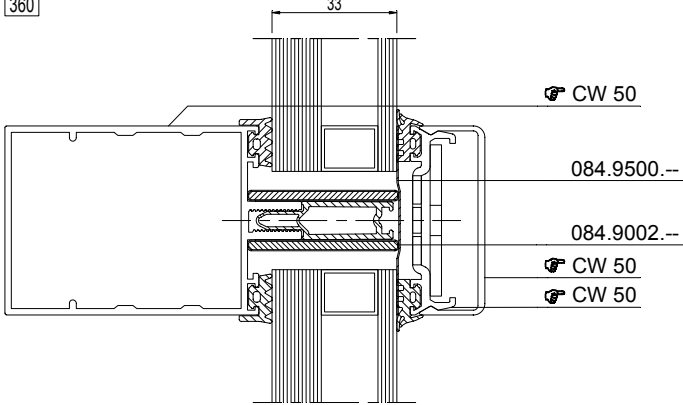
CW 50-FP

Interne structuur - Horizontale interne structuur
Structure interne - Structure interne horizontale
Internal structure - Horizontal internal structure
Interne Struktur - Horizontale interne Struktur

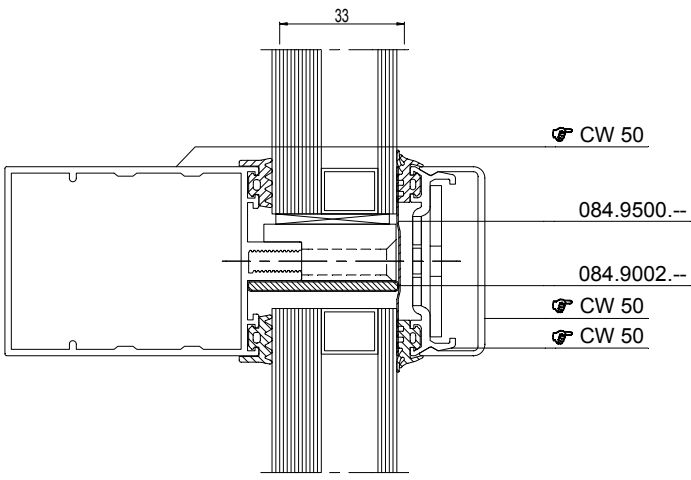


360

33



CW50-360001.dxf
CW50-360001.dwg



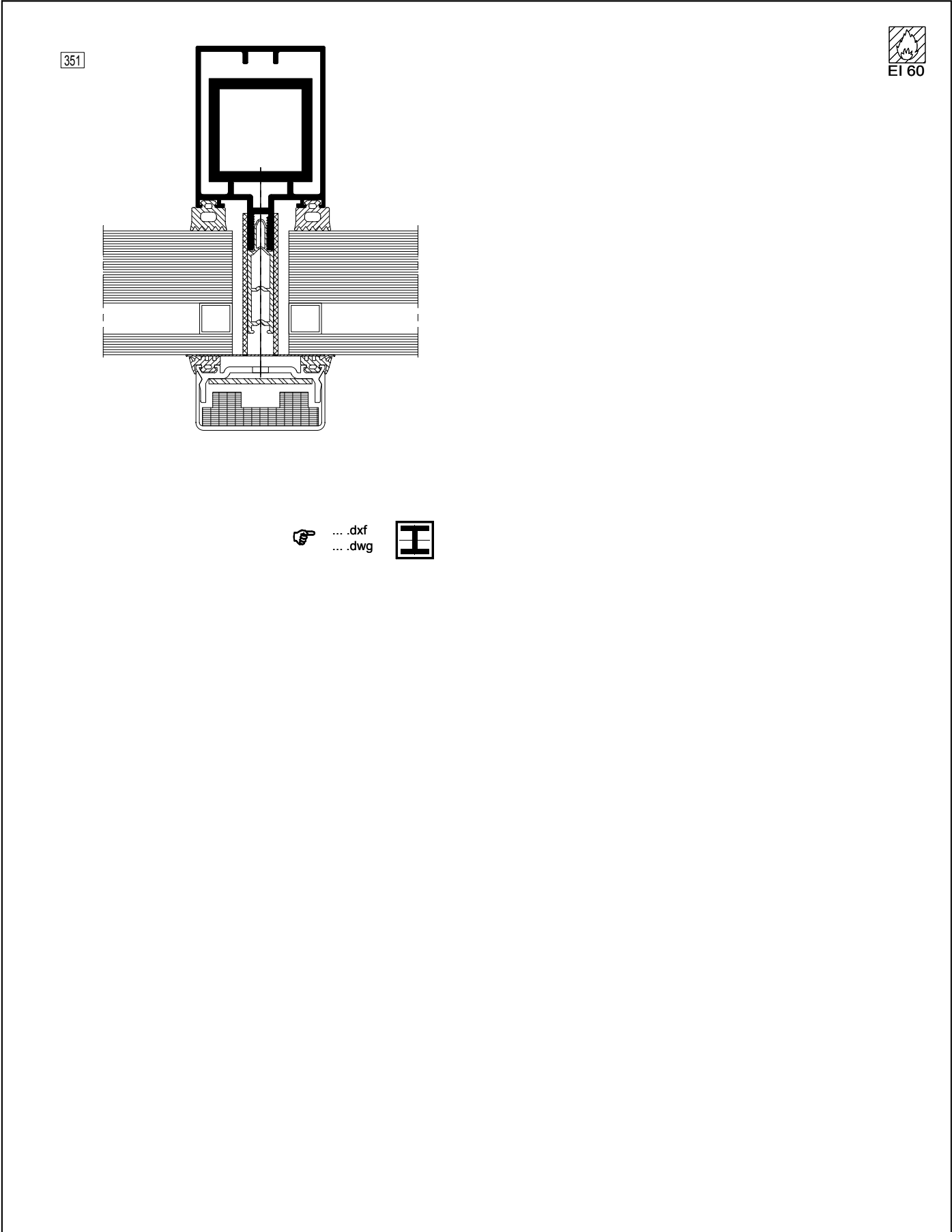
CW50-360002.dxf
CW50-360002.dwg

CW 50-FP

Interne structuur - Verticale interne structuur
Structure interne - Structure interne verticale
Internal structure - Vertical internal structure
Interne Struktur - Senkrechte interne Struktur





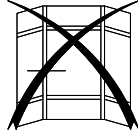
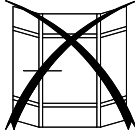
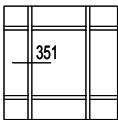
	351	



351

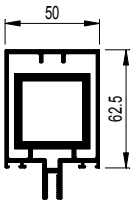


dxf
... .dwg 



034.0901.XX

$I_x = 75.228 \text{ cm}^4$

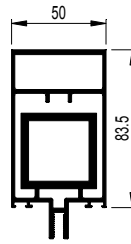


351

CW50-351001.dxf
 CW50-351001.dwg

034.0902.XX

$I_x = 116.949 \text{ cm}^4$



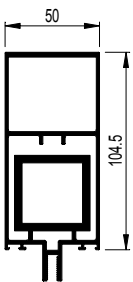
351

CW50-351002.dxf
 CW50-351002.dwg



034.0903.XX

$I_x = 160.587 \text{ cm}^4$



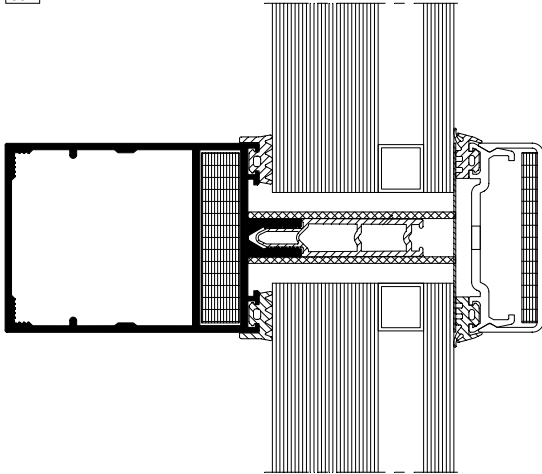
351

CW50-351003.dxf
 CW50-351003.dwg

	361	

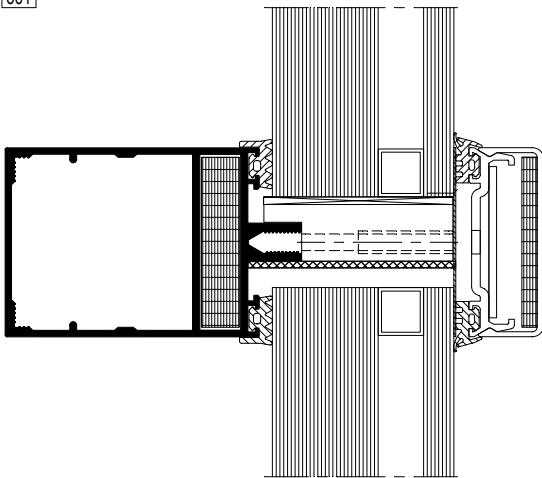


361



CW50-361001.dxf
CW50-361001.dwg

361

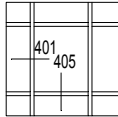


CW50-361002.dxf
CW50-361002.dwg

CW 50 Slim Line

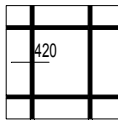


1 Eléments fixes



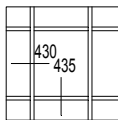
CW 50-SL - 401

2 Esthétique extérieure



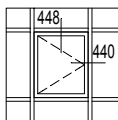
CW 50-SL - 410

3 Raccordements

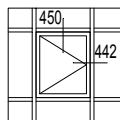


CW 50-SL - 415

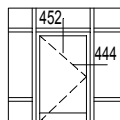
4 Combinaisons avec d'autres systèmes



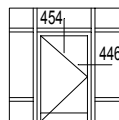
CW 50-SL - 420



CW 50-SL - 420

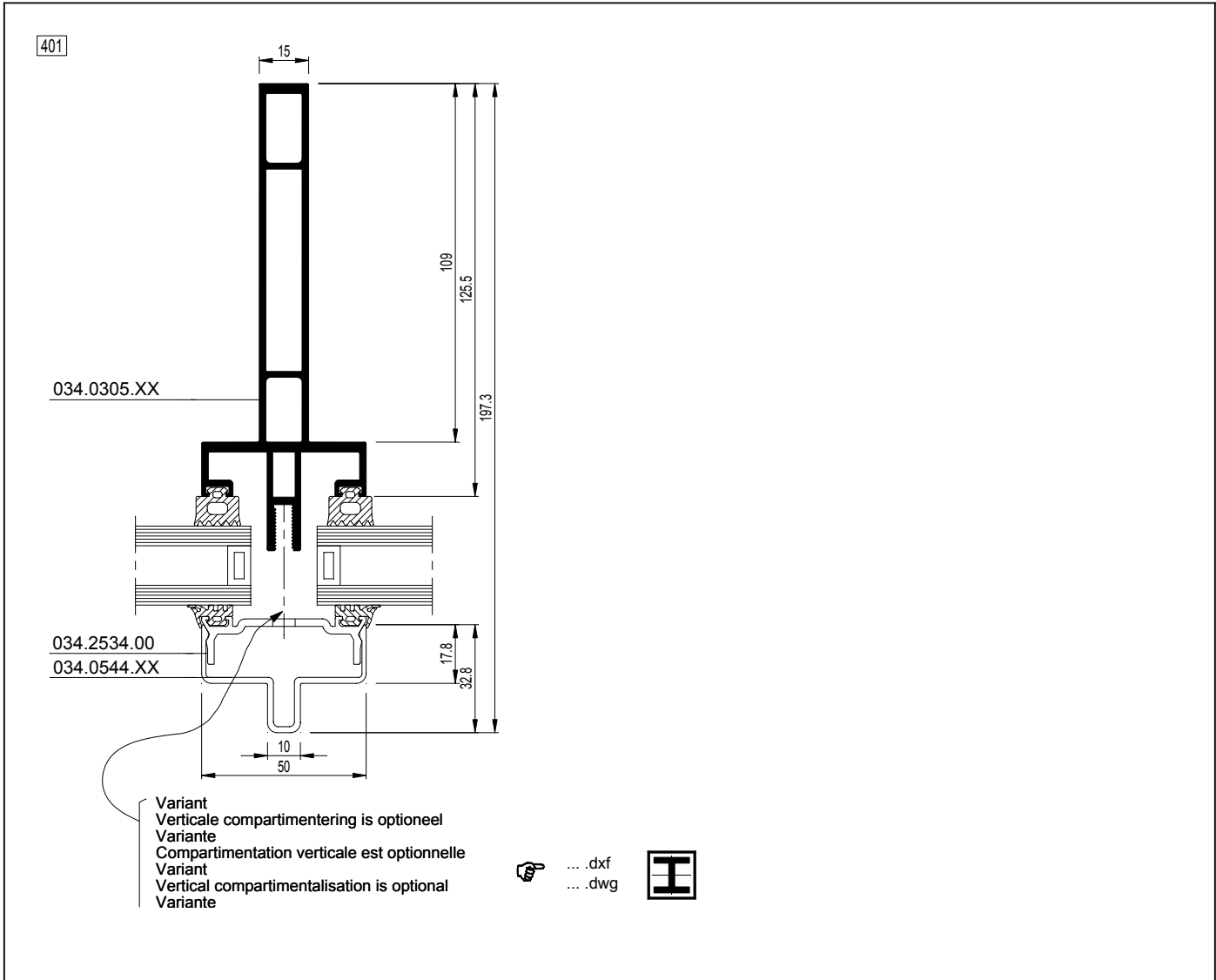


CW 50-SL - 421



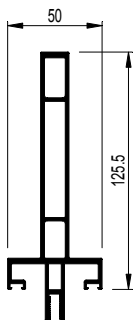
CW 50-SL - 421

	401	405



034.0305.XX

$I_x = 159.502 \text{ cm}^4$



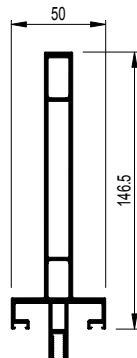
CW50-401001.dxf
 CW50-401001.dwg



CW50-401002.dxf
 CW50-401002.dwg

034.0306.XX

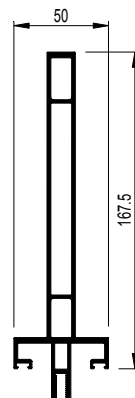
$I_x = 239.009 \text{ cm}^4$



CW50-401004.dxf
 CW50-401004.dwg

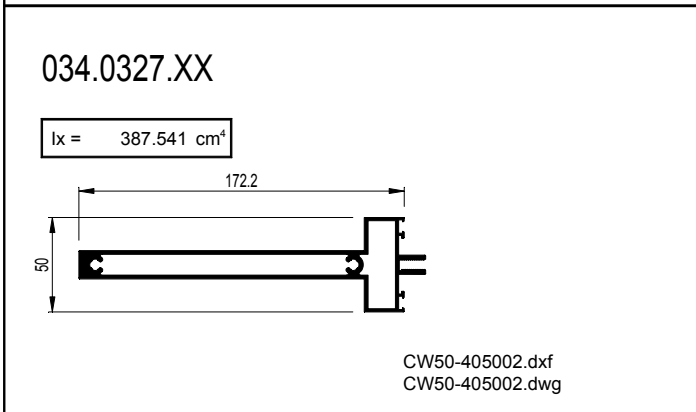
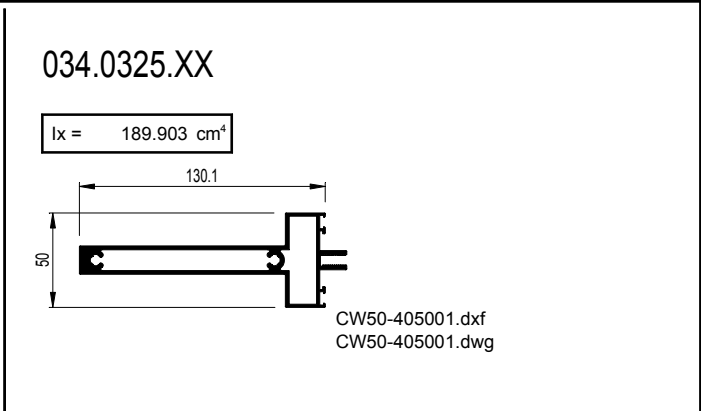
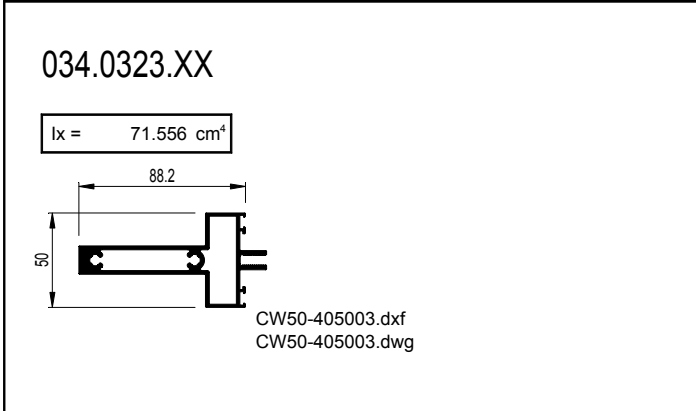
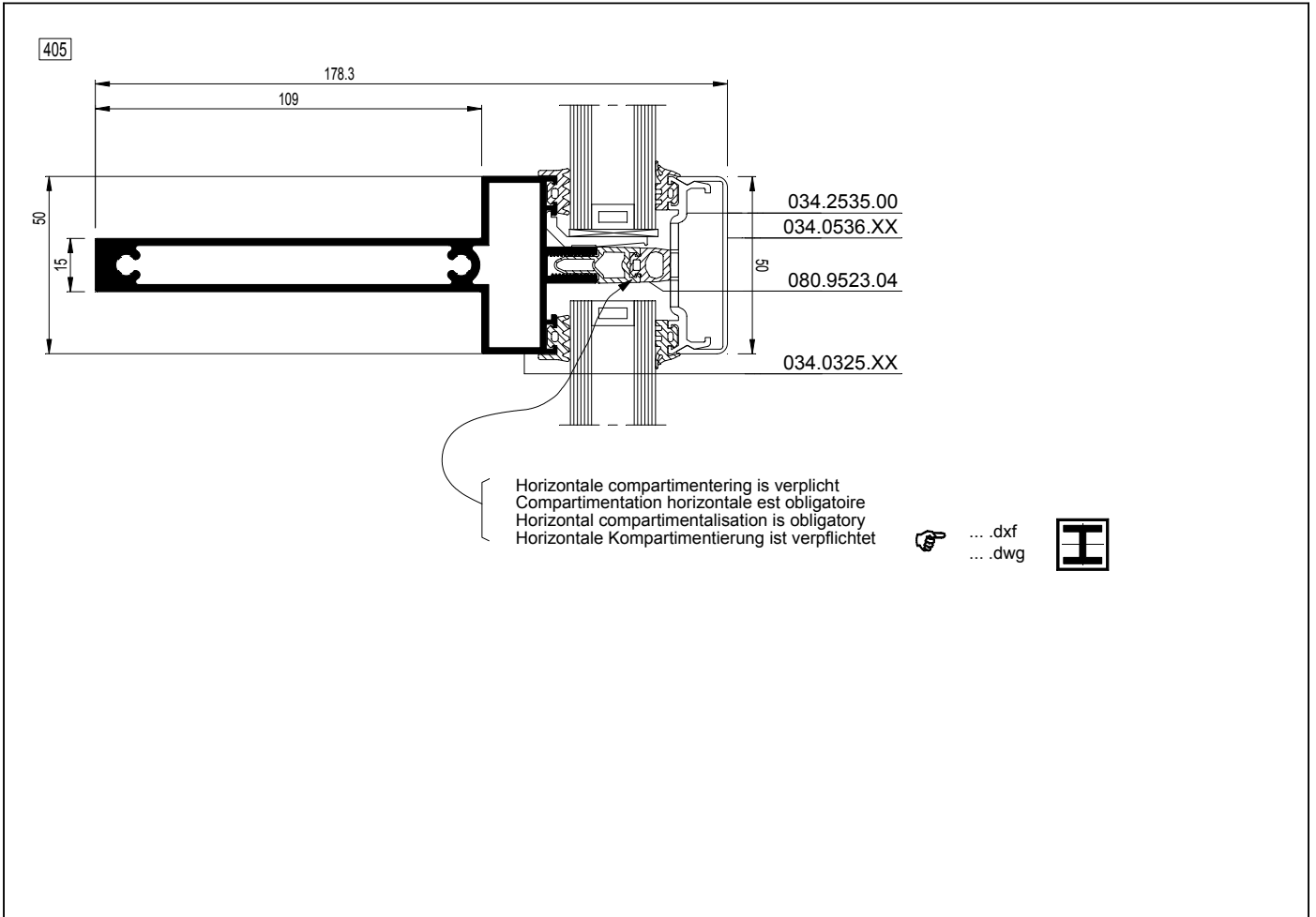
034.0307.XX

$I_x = 339.226 \text{ cm}^4$

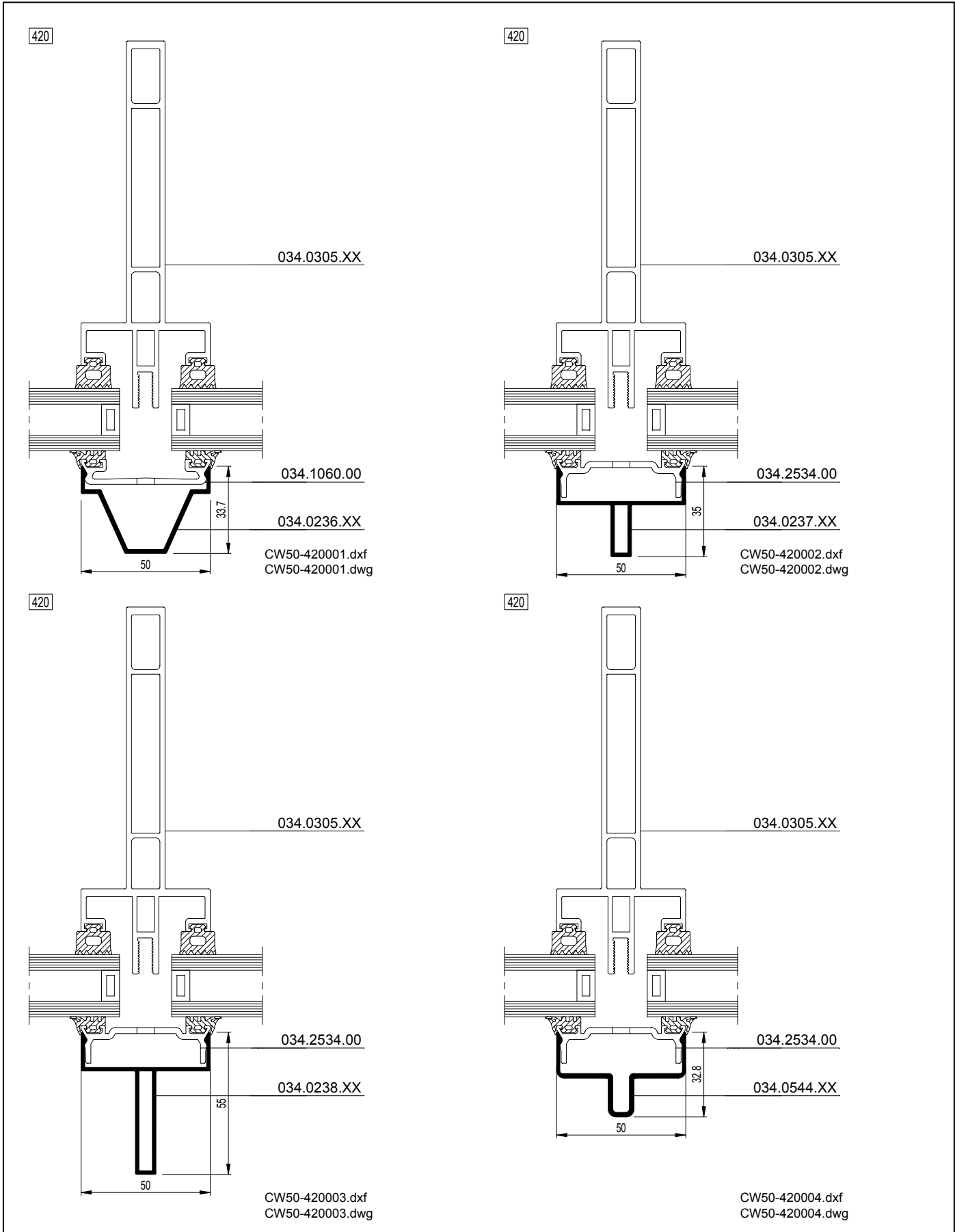


CW50-401003.dxf
 CW50-401003.dwg

	401	405	

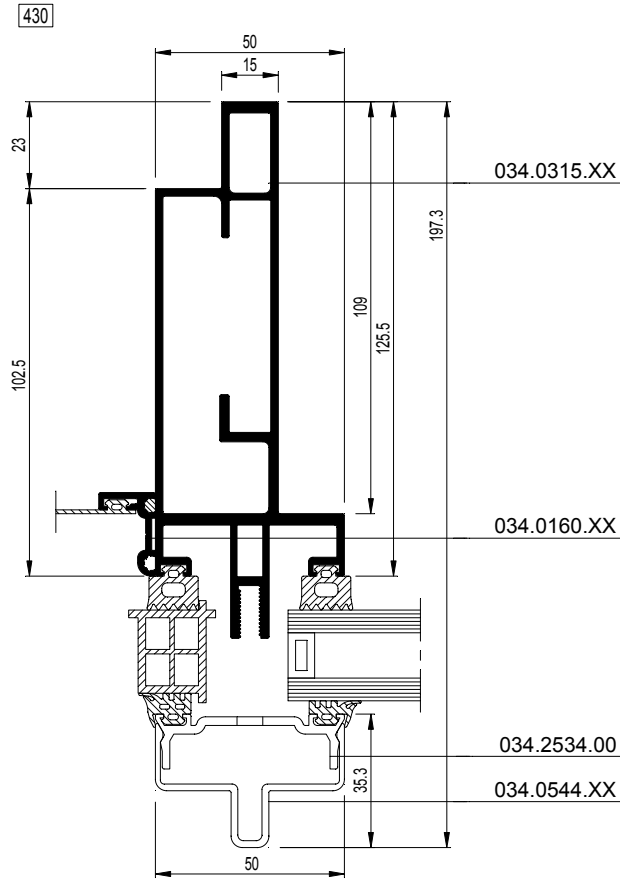


420	

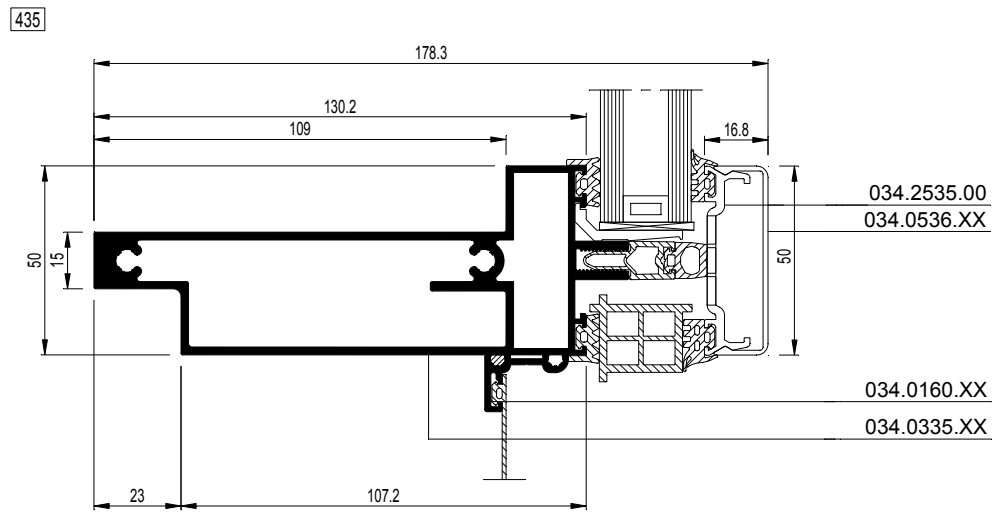




430		
	435	



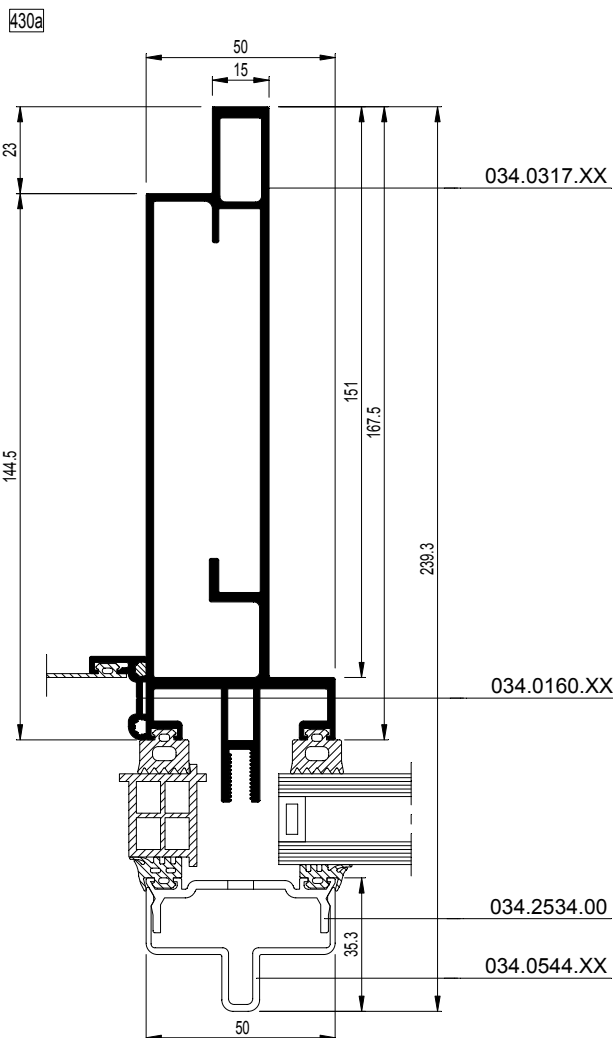
CW50-430001.dxf
 CW50-430001.dwg



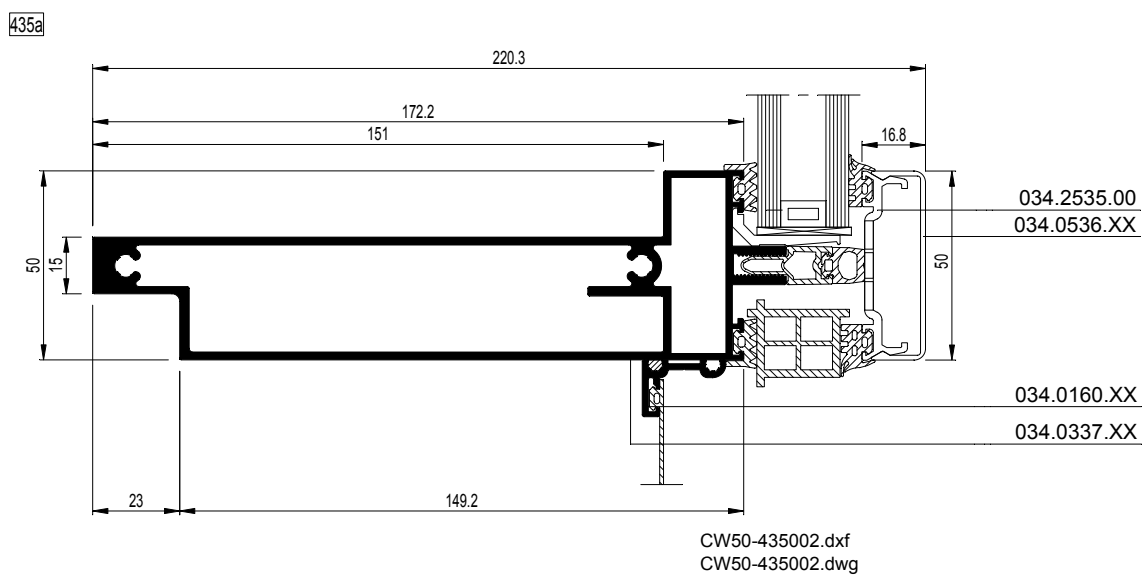
CW50-435001.dxf
 CW50-435001.dwg



430	
	435



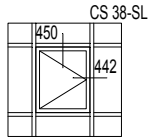
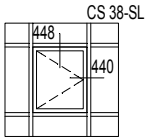
CW50-430002.dxf
 CW50-430002.dwg



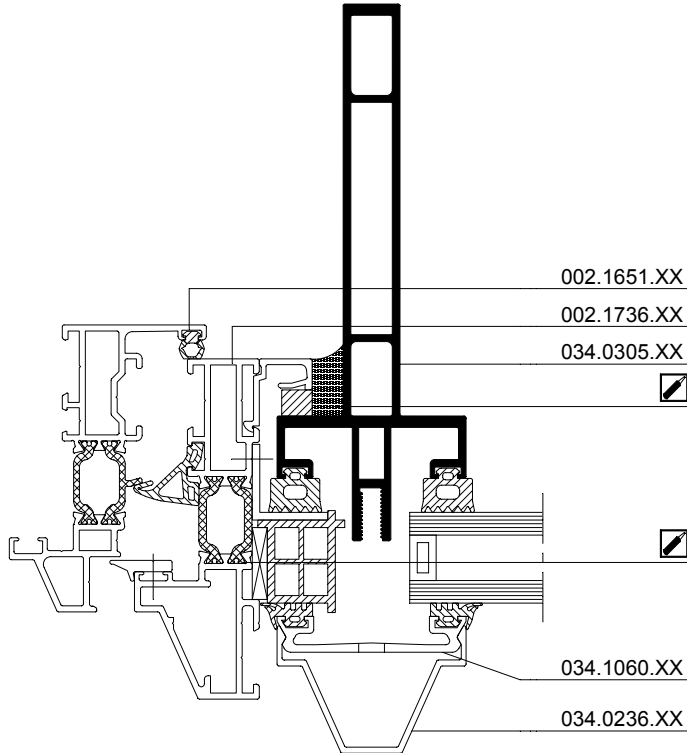
CW50-435002.dxf
 CW50-435002.dwg

CW 50-SL

Koppeling met andere systemen - CS 38-SL
Jonction avec d'autres systemes - CS 38-SL
Connection with other systems - CS 38-SL
Verbindungen mit anderen Systemen - CS 38-SL

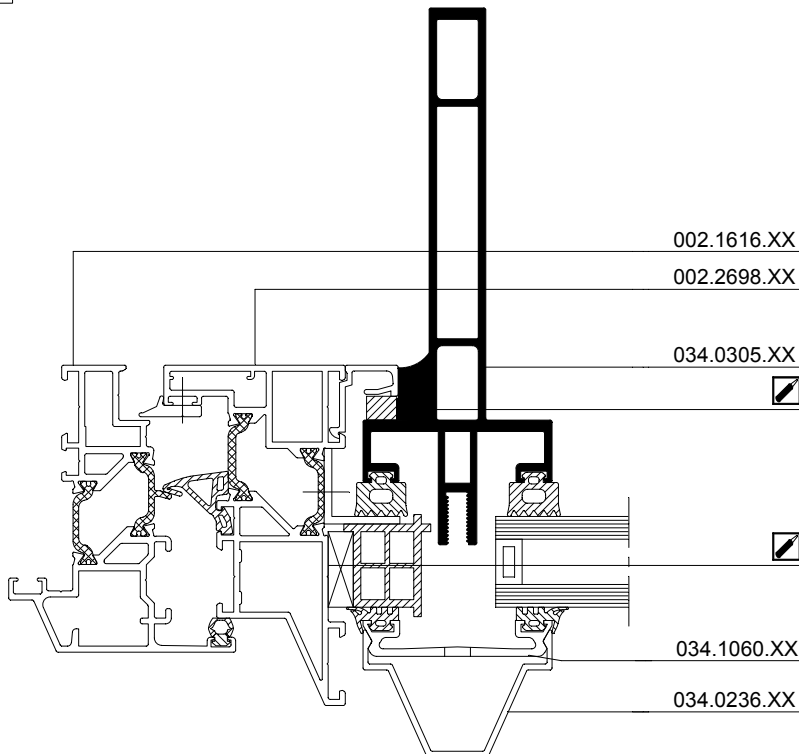


440



CW50-440001.dxf
CW50-440001.dwg

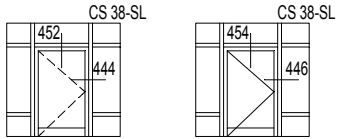
442



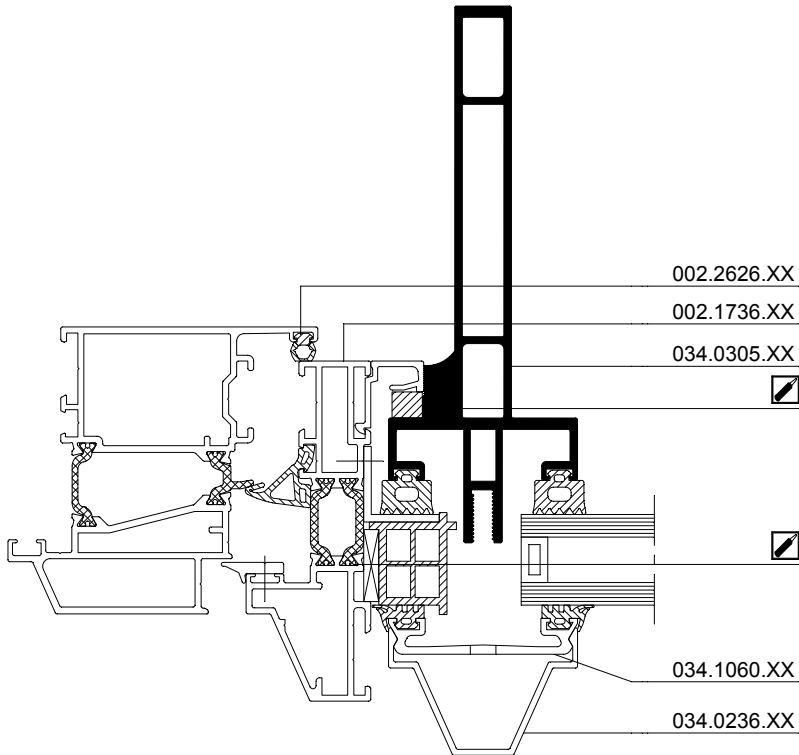
CW50-442001.dxf
CW50-442001.dwg

CW 50-SL

Koppeling met andere systemen - CS 38-SL
Jonction avec d'autres systemes - CS 38-SL
Connection with other systems - CS 38-SL
Verbindungen mit anderen Systemen - CS 38-SL

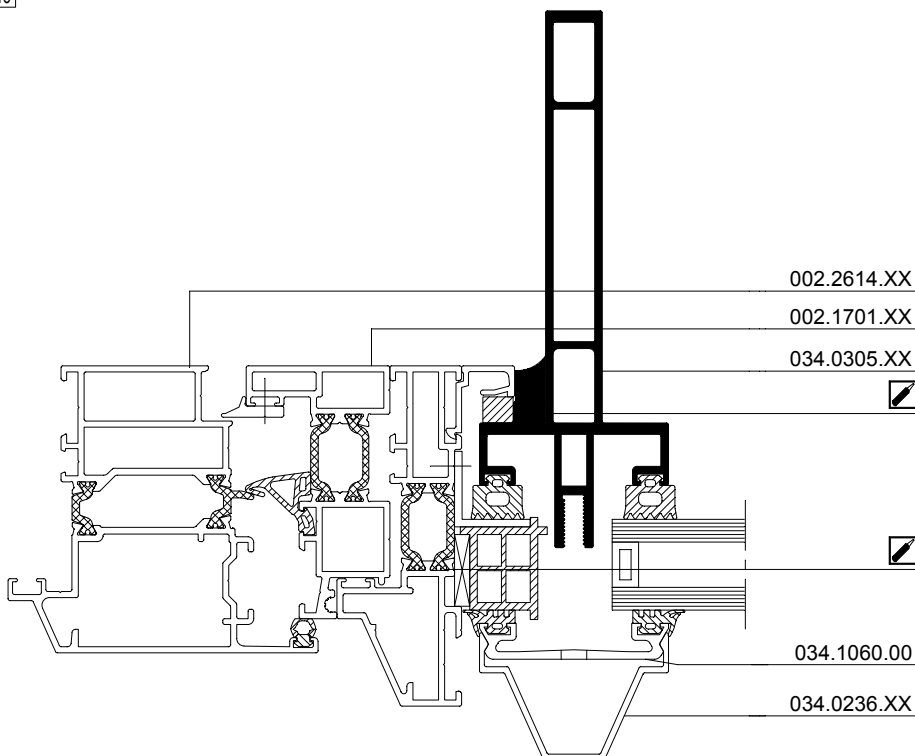


444



CW50-444001.dxf
CW50-444001.dwg

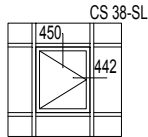
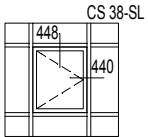
446



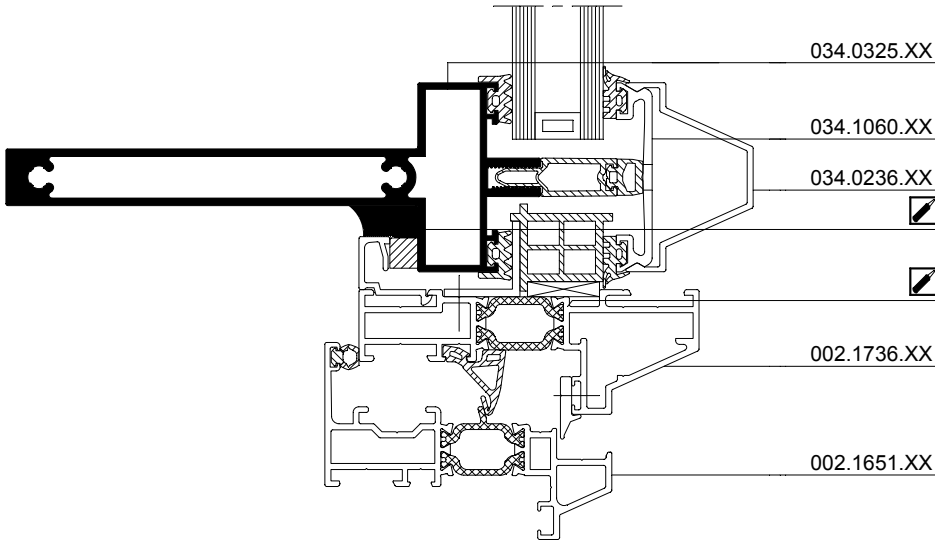
CW50-446001.dxf
CW50-446001.dwg

CW 50-SL

Koppeling met andere systemen - CS 38-SL
Jonction avec d'autres systemes - CS 38-SL
Connection with other systems - CS 38-SL
Verbindungen mit anderen Systemen - CS 38-SL

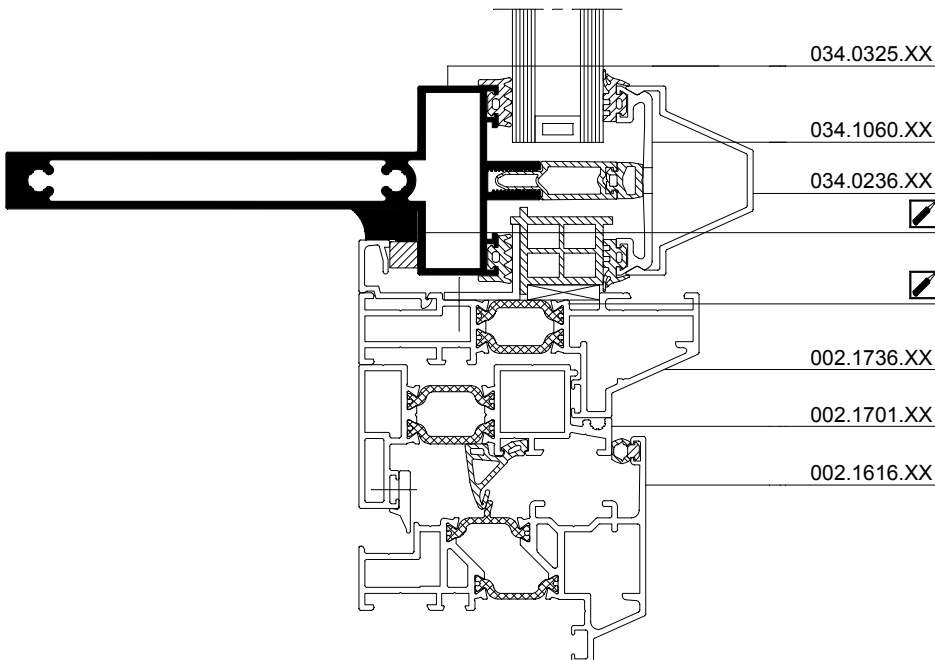


448

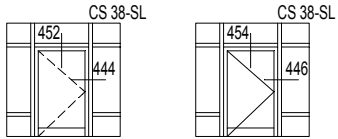


CW50-448001dxf
CW50-448001.dwg

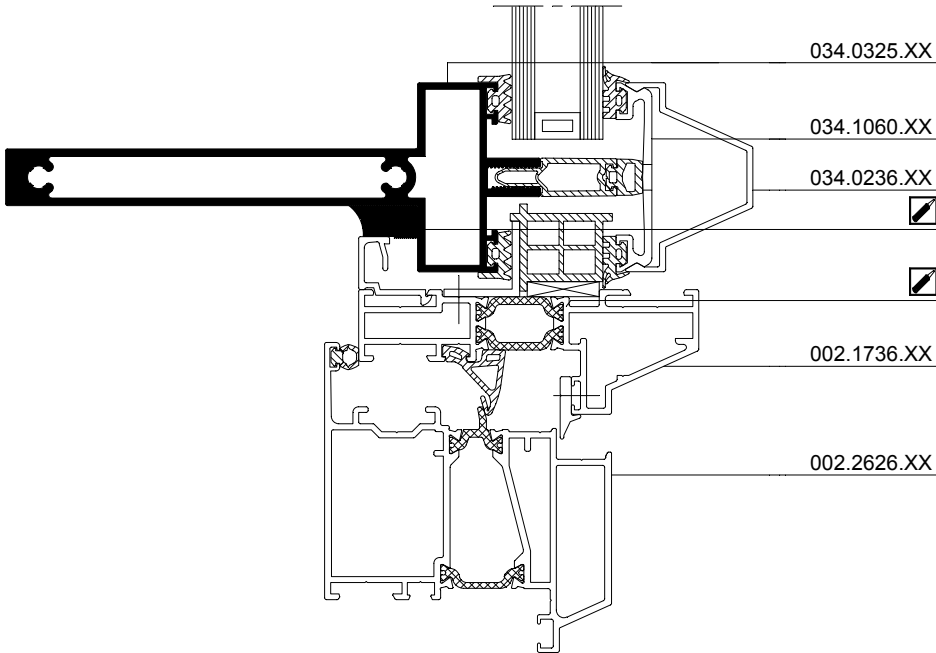
450



CW50-450001dxf
CW50-450001.dwg

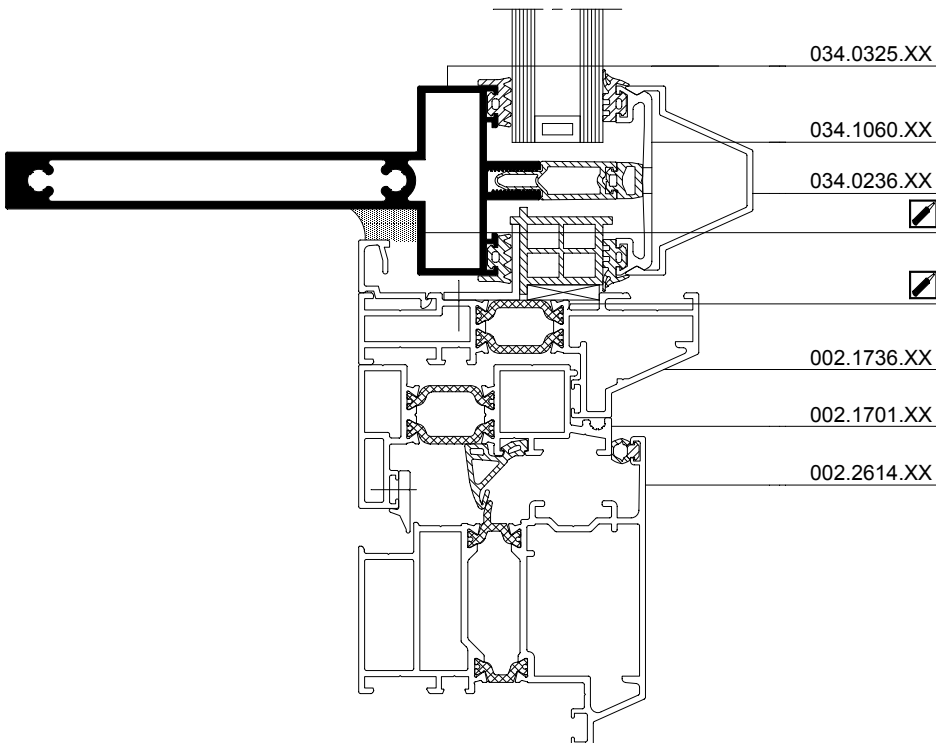


452



CW50-452001dxf
CW50-452001.dwg

454

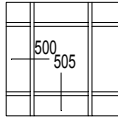


CW50-454001dxf
CW50-454001.dwg

CW 50 Alu on Steel

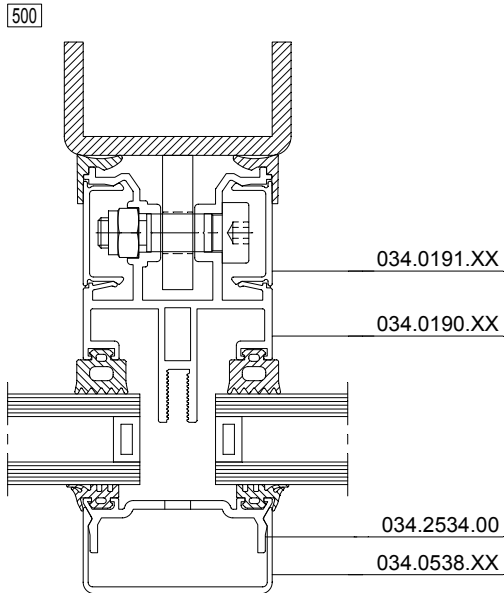


1 Eléments fixes

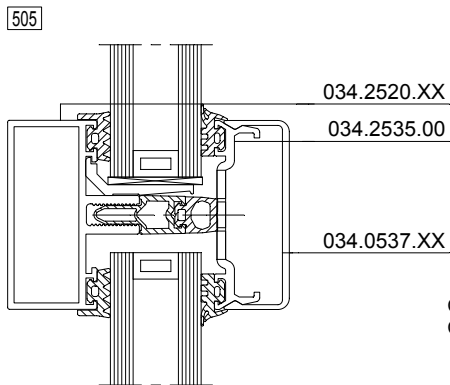


CW 50 - 450

500		
	505	



CW50-500001.dxf
CW50-500001.dwg

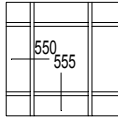


CW50-505001.dxf
CW50-505001.dwg

CW 50 Swiss Solution

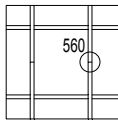


1 Structure interne

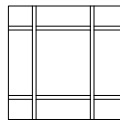


CW 50 - 550

2 Raccordements

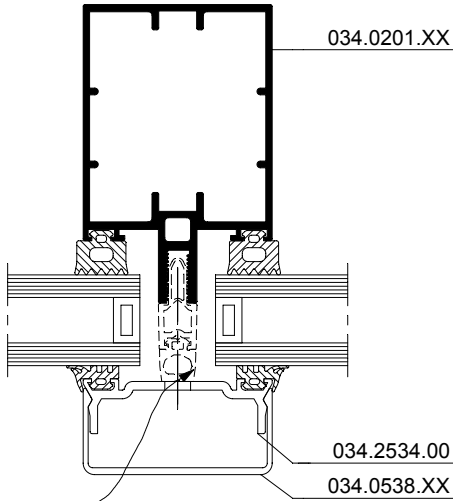


CW 50 - 551



550	555
-----	-----

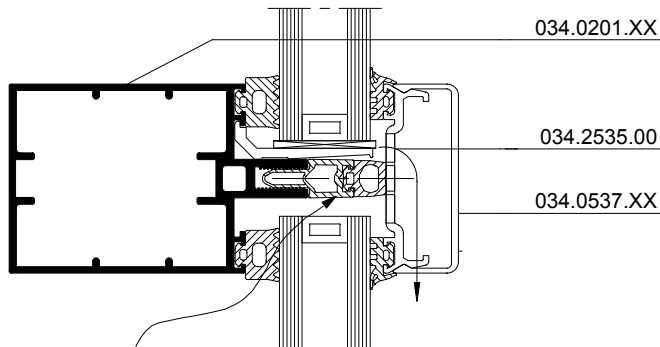
550



Variant
 Verticale compartimentering is optioneeldxf
 Variante
 Compartimentation verticale est optionnelledwg
 Variant
 Vertical compartmentalisation is optional
 Variante
 Vertikale Kompartimentierung ist eine Option



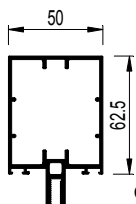
555



Horizontale compartimentering is verplicht
 Compartimentation horizontale est obligatoire
 Horizontal compartmentalisation is obligatory
 Horizontale Kompartimentierung ist verpflichtend

034.0201.XX

$I_x = 37.374 \text{ cm}^4$



CW50-550001.dxf
 CW50-550001.dwg

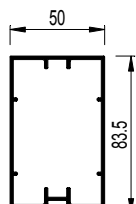


CW50-550004.dxf
 CW50-550004.dwg

CW50-555001.dxf
 CW50-555001.dwg

034.0202.XX

$I_x = 71.281 \text{ cm}^4$



CW50-550002.dxf
 CW50-550002.dwg

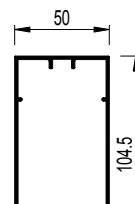


CW50-550005.dxf
 CW50-550005.dwg

CW50-555002.dxf
 CW50-555002.dwg

034.0203.XX

$I_x = 119.520 \text{ cm}^4$

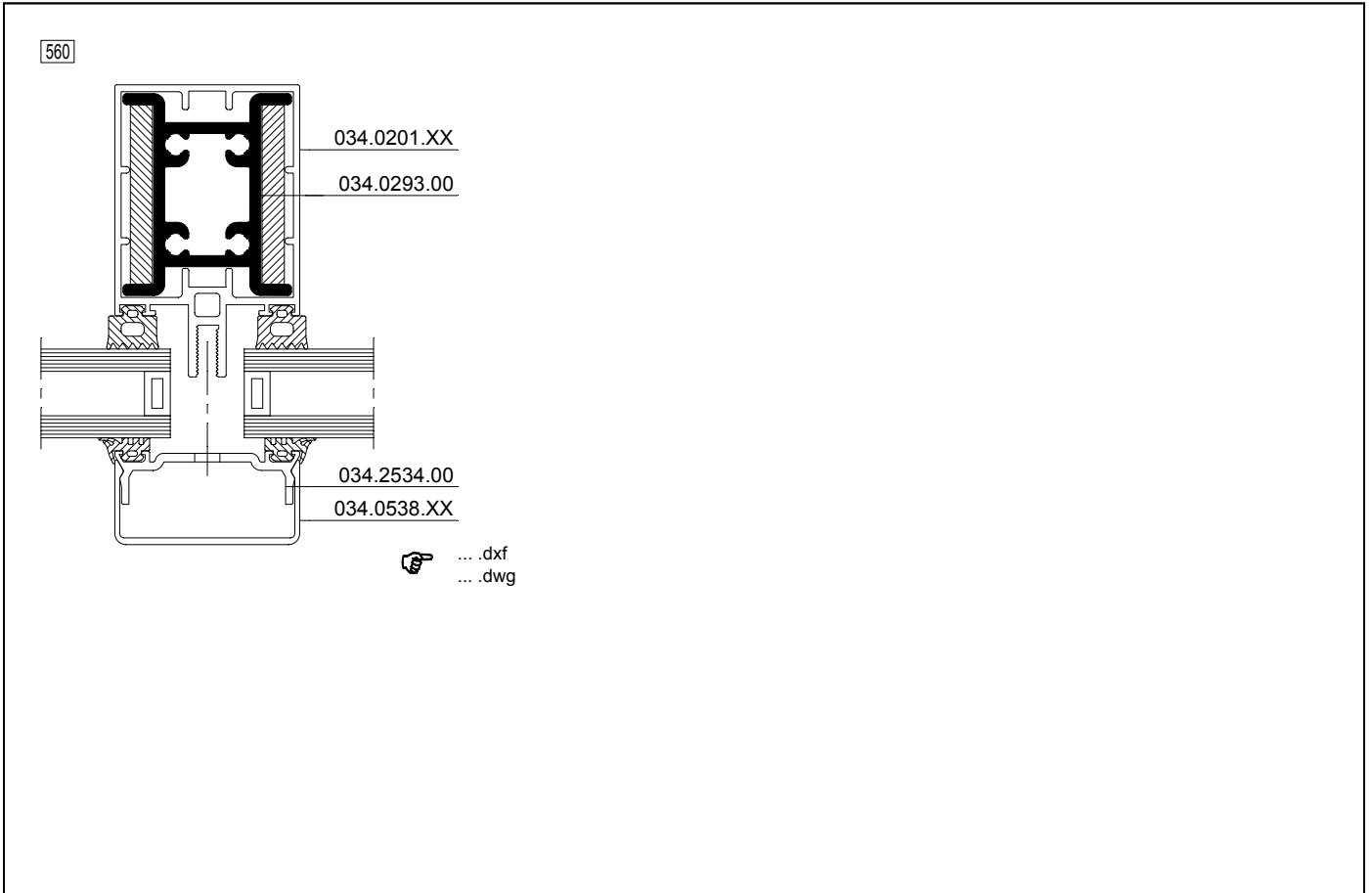
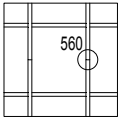


CW50-550003.dxf
 CW50-550003.dwg

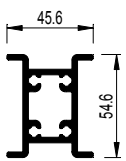


CW50-550006.dxf
 CW50-550006.dwg


CW50-555003.dxf
 CW50-555003.dwg



034.0293.00



CW50-560001.dxf
CW50-560001.dwg

 034.0201.XX